

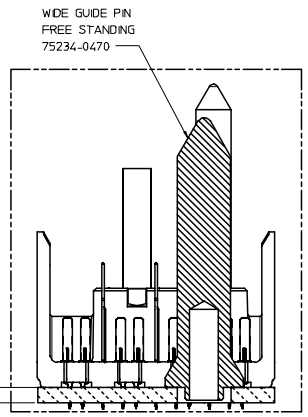
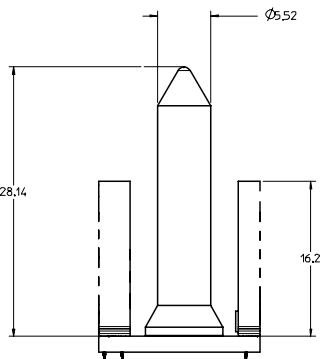
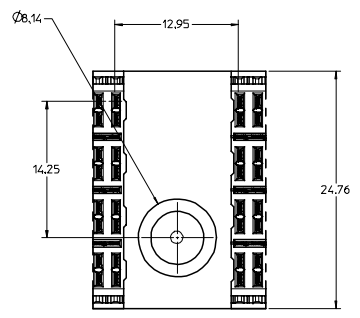
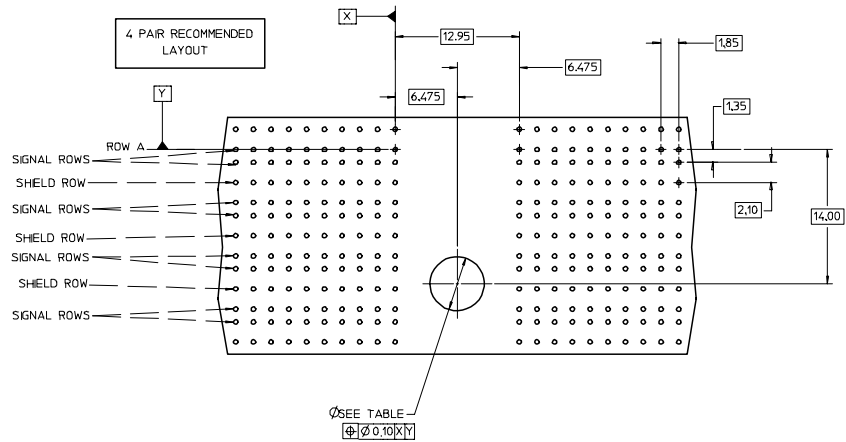
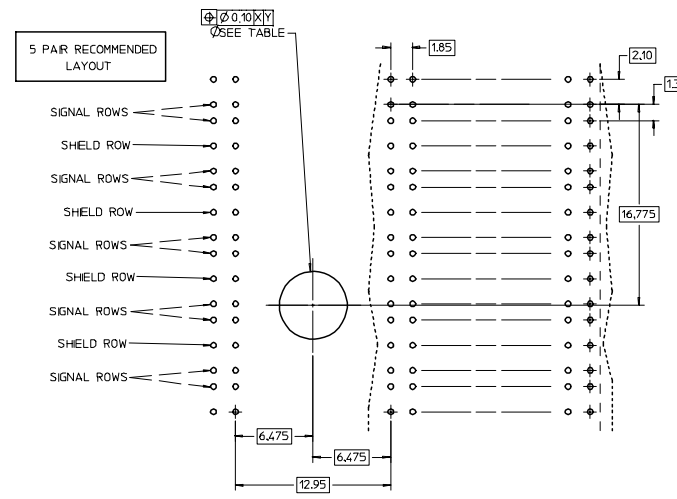
- NOTES:
1. REFER TO BACKPLANE SALES DRAWINGS FOR ROW AND COLUMN ASSIGNMENTS.
  2. INSTALLATION TORQUE SPECIFICATIONS = 7.8 - 8.5 N-LBS.
  3. PLATED THRU HOLE TO CONNECT TO CHASSIS FOR GROUNDED GUIDE MODULE OPTION.
  4. REFER TO PS-75221-999 FOR GBX PRODUCT SPECIFICATION.

TABLE #1 - HOLE SPECIFICATIONS

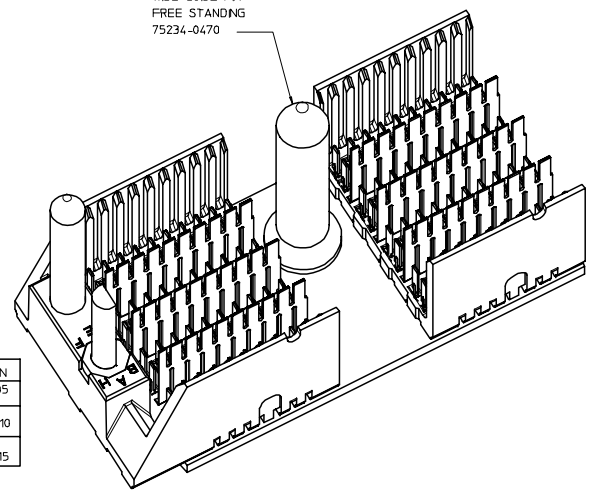
FINISHED HOLE SIZE	GROUND	UNGROUND
	Ø5.58-5.73	Ø5.58-5.73
PAD	Ø 8.5	N/A
PLATED	YES	NO
DRILL (mm)	5.79mm	5.6mm
DRILL (IN)	0.228"	0.221"

TABLE #2 - SCREW SPECIFICATIONS

SCREW P/N	DESCRIPTION	BOARD THICKNESS
73774-3005	#6-32 x 0.375" LONG SQUARE CONICAL MACHINE SCREW	1.6-4.0 mm
73774-3010	#6-32 x 0.500" LONG SQUARE CONICAL MACHINE SCREW	4.0-7.5 mm
73774-3015	#6-32 x 0.625" LONG SQUARE CONICAL MACHINE SCREW	7.5-10.0 mm



KIT P/N	BOARD THICKNESS	GUIDE PIN P/N	SCREW P/N
75234-1470	1.6 - 5.0mm	75234-0470	73774-3005
75234-2470	5.0-8.0 mm	75234-0470	73774-3010
75234-3470	8.0-10.0 mm	75234-0470	73774-3015



MINOR REVISION EC NO: UCP 2007-3972 DRWN: BINGHAM 2007/06/18 CHKD: SREED 2007/06/18 APPR: SREED 2007/06/20 DESCRIPTION	QUALITY SYMBOLS	GENERAL TOLERANCES (UNLESS SPECIFIED)	SCALE 4:1	DESIGN UNITS METRIC	THIRD ANGLE PROJECTION	REVISE ON CAD ONLY
	4 PLACES	mm INCH	DIMENSION STYLE MM ONLY	TITLE	GBX BACKPLANE WIDE GUIDE PIN FREE STANDING BOARD LAYOUT DRAWING	
	3 PLACES	± --- ± ---	DRAWN BY NMARTIN	DATE 2004/08/04	MOLEX INCORPORATED	
	2 PLACES	± --- ± ---	CHECKED BY JLAURX	DATE 2004/08/04	MATERIAL NO. SEE CHART	DOCUMENT NO. SD-75234-110
A2	1 PLACE	± --- ± ---	APPROVED BY SREED	DATE 2004/08/04	THIS DRAWING CONTAINS INFORMATION THAT IS PROPRIETARY TO MOLEX INCORPORATED AND SHOULD NOT BE USED WITHOUT WRITTEN PERMISSION	
DRAFT WHERE APPLICABLE MUST REMAIN WITHIN DIMENSIONS						