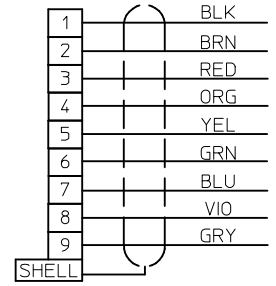
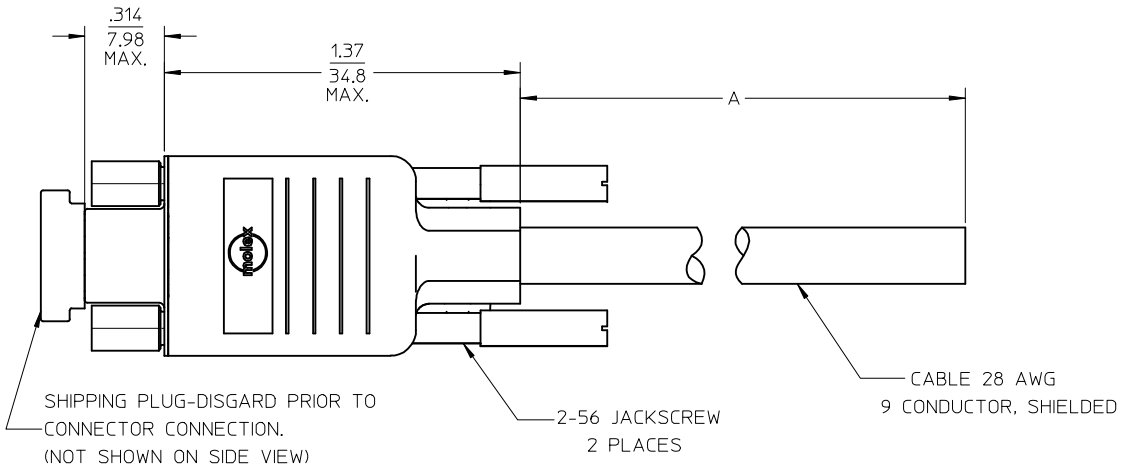
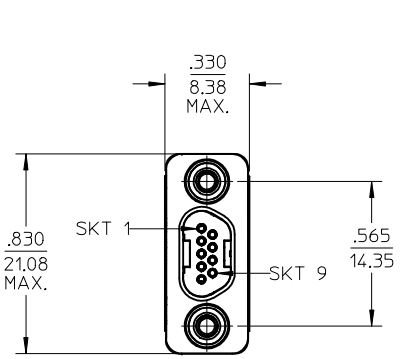


PART NUMBER	A (inch)
834219023	4.5"
834219042	18.5"
834219043	36.5"
834219044	72.5"
834219060	300.0"



NOTES:

- 1) OVERMOLD ASSEMBLY
- 2) CABLE LENGTH TOLERANCE = -0/+ .25" PER FOOT
- 2) RoHS COMPLIANT

UPDATED LOGO EC NO: IFG2015-1021 DRWN:GGUSTAFSON 2014/11/26 CHKD:BRUPERT 2015/01/22 APPR:BMWOODMAN 2015/01/07	QUALITY SYMBOLS	GENERAL TOLERANCES (UNLESS SPECIFIED)	DIMENSION STYLE	SCALE	DESIGN UNITS	THIRD ANGLE PROJECTION																				
	$\nabla=0$ $\nabla C=0$	<table border="1"> <thead> <tr> <th></th> <th>mm</th> <th>INCH</th> </tr> </thead> <tbody> <tr> <td>4 PLACES</td> <td>± ---</td> <td>± ---</td> </tr> <tr> <td>3 PLACES</td> <td>± ---</td> <td>± .005</td> </tr> <tr> <td>2 PLACES</td> <td>± ---</td> <td>± .01</td> </tr> <tr> <td>1 PLACE</td> <td>± ---</td> <td>± ---</td> </tr> </tbody> </table>		mm	INCH	4 PLACES	± ---	± ---	3 PLACES	± ---	± .005	2 PLACES	± ---	± .01	1 PLACE	± ---	± ---	IN/MM	2:1	INCH						
		mm	INCH																							
	4 PLACES	± ---	± ---																							
3 PLACES	± ---	± .005																								
2 PLACES	± ---	± .01																								
1 PLACE	± ---	± ---																								
DESCRIPTION	<table border="1"> <thead> <tr> <th>REV</th> <th>DESCRIPTION</th> </tr> </thead> <tbody> <tr> <td>G</td> <td></td> </tr> </tbody> </table>	REV	DESCRIPTION	G		<table border="1"> <thead> <tr> <th>DRAWN BY</th> <th>DATE</th> <th>TITLE</th> </tr> </thead> <tbody> <tr> <td>D.URBACH</td> <td>2AUG99</td> <td rowspan="2">CMD CONNECTOR ASSEMBLY 9 CIRCUIT</td> </tr> <tr> <td>F.VAN WYK</td> <td></td> </tr> <tr> <th>APPROVED BY</th> <th>DATE</th> <td rowspan="2">  MOLEX INCORPORATED         </td> </tr> <tr> <td>JFMURPHY</td> <td>2010/02/24</td> </tr> </tbody> </table>	DRAWN BY	DATE	TITLE	D.URBACH	2AUG99	CMD CONNECTOR ASSEMBLY 9 CIRCUIT	F.VAN WYK		APPROVED BY	DATE	MOLEX INCORPORATED	JFMURPHY	2010/02/24	<table border="1"> <thead> <tr> <th>MATERIAL NO.</th> <th>DOCUMENT NO.</th> <th>SHEET NO.</th> </tr> </thead> <tbody> <tr> <td>SEE CHART</td> <td>SD-83421-9023</td> <td>1 OF 1</td> </tr> </tbody> </table>	MATERIAL NO.	DOCUMENT NO.	SHEET NO.	SEE CHART	SD-83421-9023	1 OF 1
REV	DESCRIPTION																									
G																										
DRAWN BY	DATE	TITLE																								
D.URBACH	2AUG99	CMD CONNECTOR ASSEMBLY 9 CIRCUIT																								
F.VAN WYK																										
APPROVED BY	DATE	MOLEX INCORPORATED																								
JFMURPHY	2010/02/24																									
MATERIAL NO.	DOCUMENT NO.	SHEET NO.																								
SEE CHART	SD-83421-9023	1 OF 1																								
	DRAFT WHERE APPLICABLE MUST REMAIN WITHIN DIMENSIONS	<table border="1"> <thead> <tr> <th>SIZE</th> <th colspan="2">THIS DRAWING CONTAINS INFORMATION THAT IS PROPRIETARY TO MOLEX INCORPORATED AND SHOULD NOT BE USED WITHOUT WRITTEN PERMISSION</th> </tr> </thead> <tbody> <tr> <td>A3</td> <td colspan="2"></td> </tr> </tbody> </table>	SIZE	THIS DRAWING CONTAINS INFORMATION THAT IS PROPRIETARY TO MOLEX INCORPORATED AND SHOULD NOT BE USED WITHOUT WRITTEN PERMISSION		A3																				
SIZE	THIS DRAWING CONTAINS INFORMATION THAT IS PROPRIETARY TO MOLEX INCORPORATED AND SHOULD NOT BE USED WITHOUT WRITTEN PERMISSION																									
A3																										