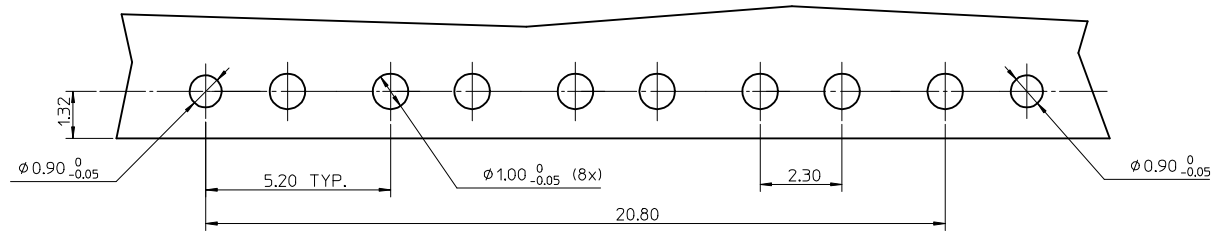
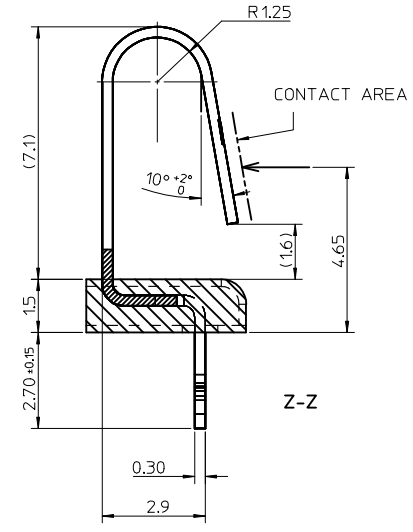
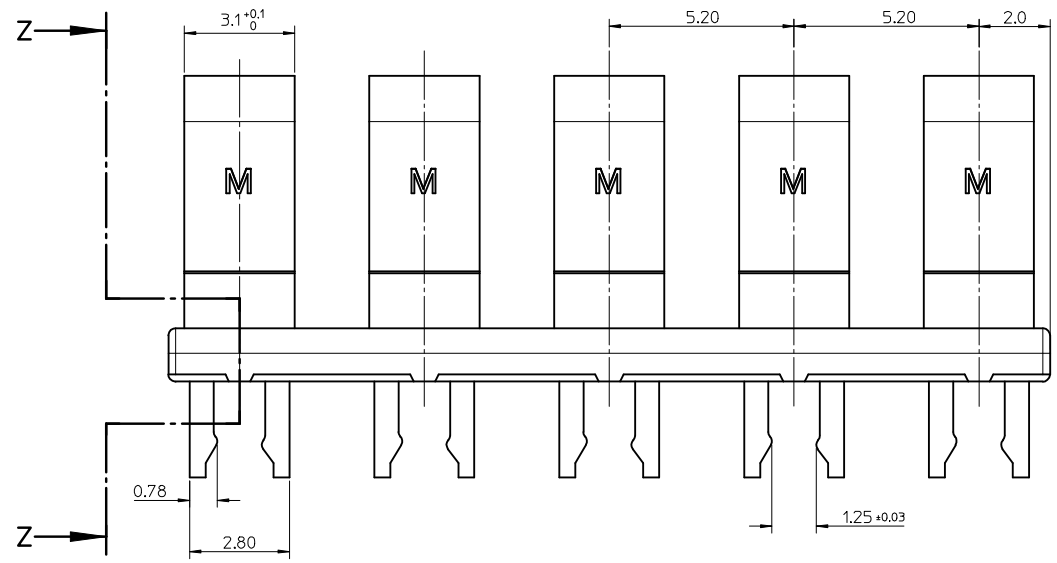
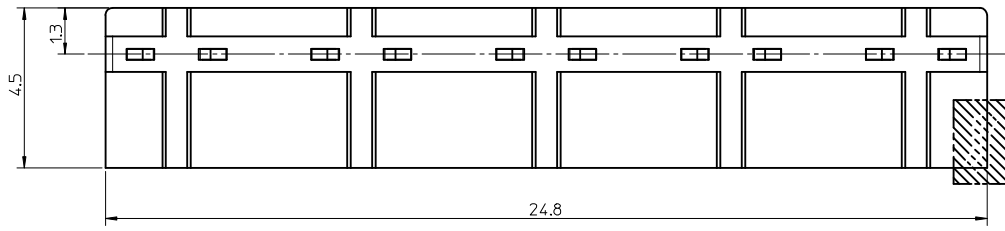
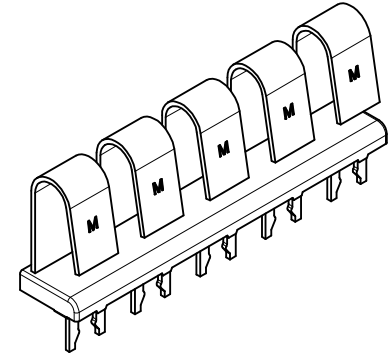


IN THE EVENTUALITY OF PRESENCE OF SHORT SHOTS UP TO 3.5mm² ON ONE END OF THE PLASTIC BODY, THE FUNCTIONALITY OF THE PART IS NOT IMPAIRED AND THE CONNECTOR CAN BE USED WITH NO PROBLEM



RECOMMENDED PCB LAYOUT (PCB THICKNESS: 1.5mm)

- NOTES:
- MATERIALS
 - HOUSING: PA46 30% G.F., V0, BLACK
 - TERMINAL: ALLOY C19010 (STOL 76)
 - TERMINAL PLATING: 4.0um MIN. TIN PREPLATED STRIP
 - PACKAGING: LOOSE PIECES IN CARDBOARD BOXES (1200PCS/BOX, 8 BOXES/CARTON). SPQ: 9600PCS

3D models used:
 - EM-94324-001
 - EM-94234-040

EC NO: Z2013-0173 DRW: SBARBIER 2013/01/07 CHK: SANTIASSO 2013/07/12 APPR: FB SELLO 2013/06/18	QUALITY SYMBOLS	GENERAL TOLERANCES (UNLESS SPECIFIED)		DIMENSION STYLE	SCALE	DESIGN UNITS	THIRD ANGLE PROJECTION
	∇=0 ∇=0 ∇=0	4 PLACES ± --- ± --- 3 PLACES ± --- ± --- 2 PLACES ± 0.05 ± --- 1 PLACE ± 0.10 ± --- 0 PLACE ± --- ± ---	mm INCH	DRAWN BY SBARBIER DATE 2013/01/07	MM ONLY 10:1	METRIC	TITLE 5 CKT SERIAL CONNECTOR
1	DESCRIPTION	DRAFT WHERE APPLICABLE MUST REMAIN WITHIN DIMENSIONS		APPROVED BY FB SELLO DATE 2013/06/18	MATERIAL NO. 94234-1005		DOCUMENT NO. SD-94234-010
				SIZE A2	THIS DRAWING CONTAINS INFORMATION THAT IS PROPRIETARY TO MOLEX INCORPORATED AND SHOULD NOT BE USED WITHOUT WRITTEN PERMISSION		