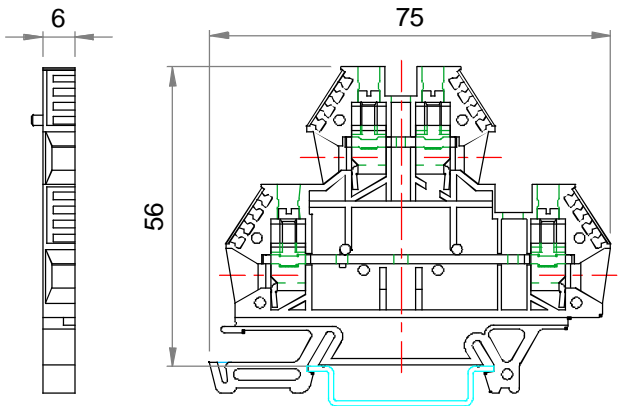


Part number description :

10134288-XXXLF

LF: Lead Free, RoHs compliant, see note
XXX : Color ref or/and version



Note : THIS PRODUCT MEETS EUROPEAN UNION DIRECTIVES AND OTHER COUNTRY REGULATIONS AS PER GS-47-0004

PN	Colour	Version
10134288-001LF	grey	
10134288-002LF	black	
10134288-003LF	blue	
10134288-004LF	brown	
10134288-005LF	yellow-green	
10134288-006LF	green	
10134288-007LF	yellow	
10134288-008LF	orange	
10134288-009LF	red	
10134288-010LF	white	

TECHNICAL DATA / DIMENSIONS

Dimensions	
Width mm	6.0
Length mm	75.0
Height mm	56.0
Mounting type (EN 60715)	Omega TH35
Technical data	
Maximum load current	32A
Insulating material	PA
Self-extinguishing degree acc. to UL94	V2
Rated surge voltage	8kV
Pollution degree	3
Surge voltage category	III
Insulating material group	I
Nominal Voltage	1000V
Nominal Current	32A
Connection data	
Conductor cross-section solid min/max	0.50 / 6 mm ²
Conductor cross-section stranded min/max	0.50 / 6 mm ²
AWG min/max	24-10AWG
Max conductor cross-section stranded with ferrule with plastic sleeve	4 mm ² / L=8 mm
Stripping length	max 6 mm
Screw	M3
Tightening torque	0,6Nm / 7. 0 Lb-In

ACCESSORIES

Item	Description
Marking	
10134398-001LF	Blank single-digit marking tags
10134398-002LF± 10134398-011LF	Printed single-digit marking tags numbered : 1÷0
10134398-012LF± 10134398-041LF	Printed single-digit marking tags with letter: A÷Z
10134399-001LF	Marking tag adapter
10134400-001LF	Blank Marking tags
10134401-001LF	Blank Marking tags

DIN RAIL system - Mounting and Installation material

10134392-001LF	Steel Omega Rail TH35x7,5mm -2mt length
10134393-001LF	Slotted Steel Omega Rail TH35x7,5mm -2mt length
10134394-001LF	Steel Omega Rail TH35x15mm -2mt length
10134395-001LF	Slotted Steel Omega Rail TH35x15mm -2mt length
10134387-001LF	Angled support bracket
10134389-001LF	End Bracket for TH35 Omega rail -Width 9mm
10134390-001LF	End Bracket for TH35 Omega rail -Width 6mm
10134391-001LF	Fast-snap End Bracket for TH35 Omega rail

Additional items

10134292-001LF	End Plate for SCREW Terminal Blocks D4
10134272-001LF	Jumper bar 2 poles,pitch 6,1mm J4
10134272-002LF	Jumper bar 3 poles,pitch 6,1mm J4
10134272-003LF	Jumper bar 24 poles,pitch 6,1mm J4
10134271-002LF	Ratchet Cutting Tool for jumper bar J4 -yellow
10134276-001LF	Red test plug adapter
10134276-002LF	Black test plug adapter

APPROVALS



AWG 24-10 - 600V - 30A



RINA

EN60947-7-1 4mm² - 1000V - 2A

C



Copyright FCI

D

spec ref	dr Aymeric Soudy 11-06-2015	projection	size A3	scale 1:1
tolerance std ISO 406 ISO 1101	eng Aymeric Soudy 11-06-2015			ecn no
TOLERANCES UNLESS OTHERWISE SPECIFIED				
surface ISO 1302	linear 0.X ± 0.3 0.XX ± 0.1 0.XXX ± 0.05	appr Aymeric Soudy 11-06-2015	Two stage SCREW Terminal Block D4-2	
angular 0° ± 2°	www.fcicon	cat. no.	10134288	rev A
Product customer drawing			sheet 1 of 1	