

Small Size and High Torque Stepper Motor - 24BY48

SKU: 108990003



(images/product/Motor 24BY48.jpg)



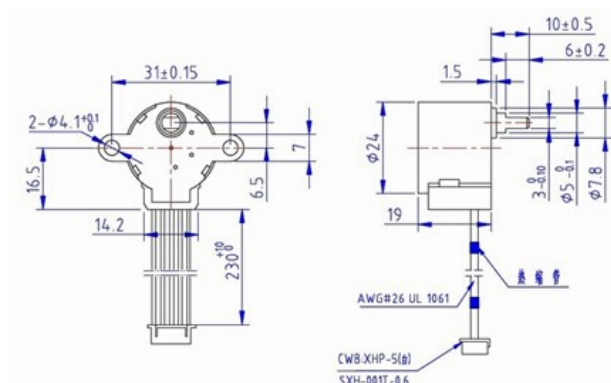
(https://www.kickstarter.com/projects/seeded/wio-link-3-steps-5-minutes-build-your-iot-applicat/description?ref=banner_depot)

Description

Small size and high torque, Mainly used in air conditioner louver, small cooling heating fan and Automatic curtains etc.

Specification:

- Phase: 4
- Step Angle: 5.625°/32
- Ratio: 1/32
- Voltage: 5V DC
- Resistance: 25ohm
- Idle In-traction Frequency: $\geq 500\text{Hz}$
- Idle Out-traction Frequency: $\geq 800\text{Hz}$
- In-traction Torque: $\geq 39.2\text{mN/m}$
- Detent Torque: $\geq 20\text{mN/m}$
- Insulation Class: A
- Noise: $< 40\text{dB}$
- Steering: CCW
- Weight: 35g



For any technical support or suggestion, please kindly go to our forum
(<http://www.seeedstudio.com/forum/viewforum.php?f=57>).

Overview



(<http://www.seeedstudio.com/depot/Shenzhen-2U-t-11.html?ref=pinfo>)

(<http://www.seeedstudio.com/depot/Others-m-24.html?ref=pinfo>)

Weight: 33 g

Designer: Others
Other Products From
This Designer