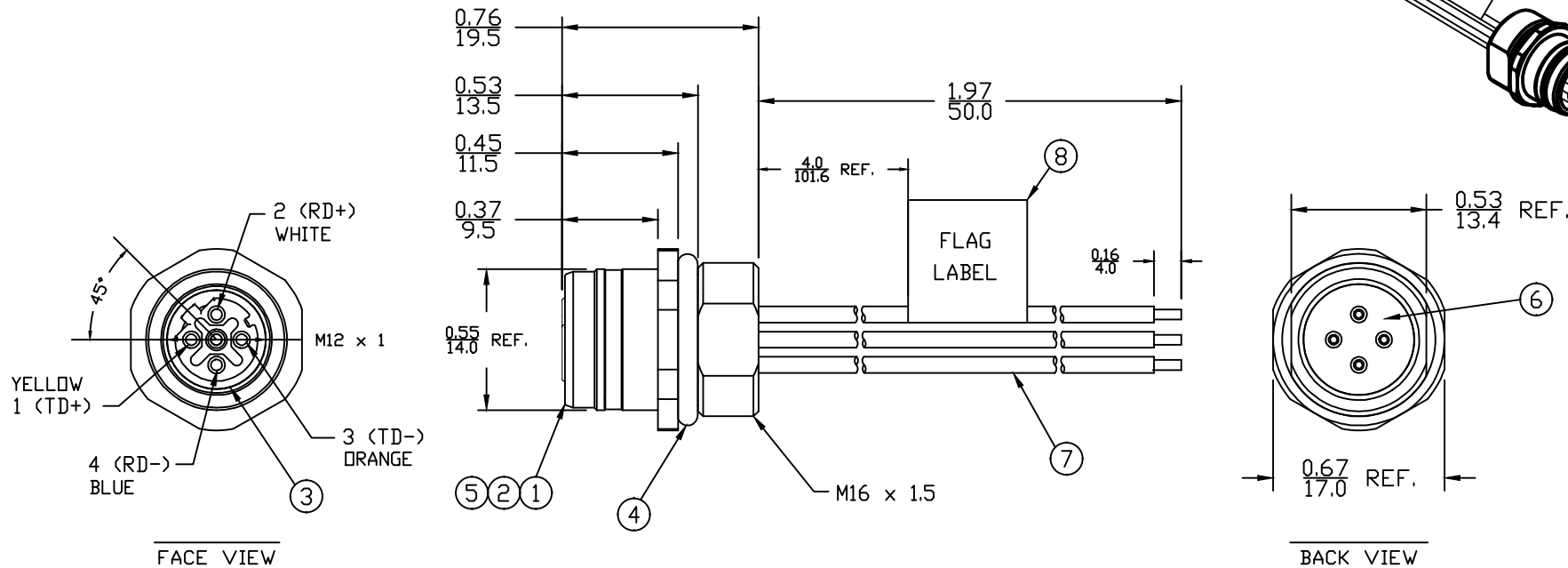


SAP P/N#	ENGINEERING NO.
1201095001	ERWAAU3000C050

AUX VIEW
SCALE 3/4



NOTES:

- 1) MATERIAL: SEE TABLE
- 2) FINISHES: SEE TABLE
- 3) WIRE: #22-1 PVC, UL1061
- 4) ELECTRICAL DATA:
MAX. VOLTAGE: 125V
MAX. CURRENT: 1.5A
- 5) ENVIRONMENTAL:
PROTECTION IP67
TEMPERATURE RANGE: -10°C TO 80°C
- 6) ASSEMBLY IS RoHS COMPLIANT.

TYPICAL KNOCKOUT
(SCALE 1:1)

ITEM	QTY.	DESCRIPTION	MATERIAL	FINISH
8	1	LABEL	PLASTIC FILM	BLACK/YELLOW
7	4	WIRE	PVC	-
6	1	EPDXY	-	BLACK
5	4	SOCKET CONTACT	COPPER ALLDY	NICKEL
4	1	O-RING	NITRILE	BLACK
3	1	O-RING	VITON	RED
2	1	INSERT: D-CODE	PUR	BLACK
1	1	SHELL: FRONT PANEL MOUNT	BRASS	NICKEL

SD RELEASE EC NO: WEU2010-0043 DRWN: VOU CHKD: BWOODMAN APPR: JFMURPHY 8/19/09	QUALITY SYMBOLS $\nabla = 0$ $\sphericalangle = 0$	GENERAL TOLERANCES (UNLESS SPECIFIED)		DIMENSION STYLE INCH/MM		SCALE 3:2	DESIGN UNITS INCH	THIRD ANGLE PROJECTION				
			mm	INCH	DRAWN BY VOU	DATE 2009/08/14	TITLE M12 U-LOCK RECPT FPM M16 4P FEMALE D-CODE #22-1 PVC WIRES					
		4 PLACES	±----	±----	CHECKED BY BWOODMAN	DATE 2009/08/31	MOLEX INCORPORATED					
		3 PLACES	±----	±.005	APPROVED BY ---		DATE ---	MATERIAL NO. SEE CHART		DOCUMENT NO. SD-120109-008	SHEET NO. 1 OF 1	
2 PLACES	±----	±.010	DRAFT WHERE APPLICABLE MUST REMAIN WITHIN DIMENSIONS							THIS DRAWING CONTAINS INFORMATION THAT IS PROPRIETARY TO MOLEX INCORPORATED AND SHOULD NOT BE USED WITHOUT WRITTEN PERMISSION		
1 PLACE	±----	±.020	ANGULAR ±1°								SIZE A	