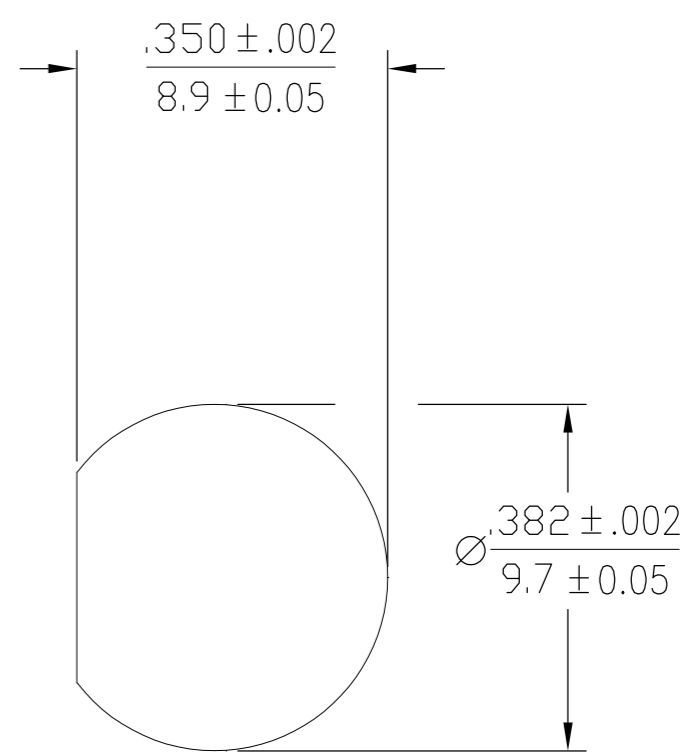
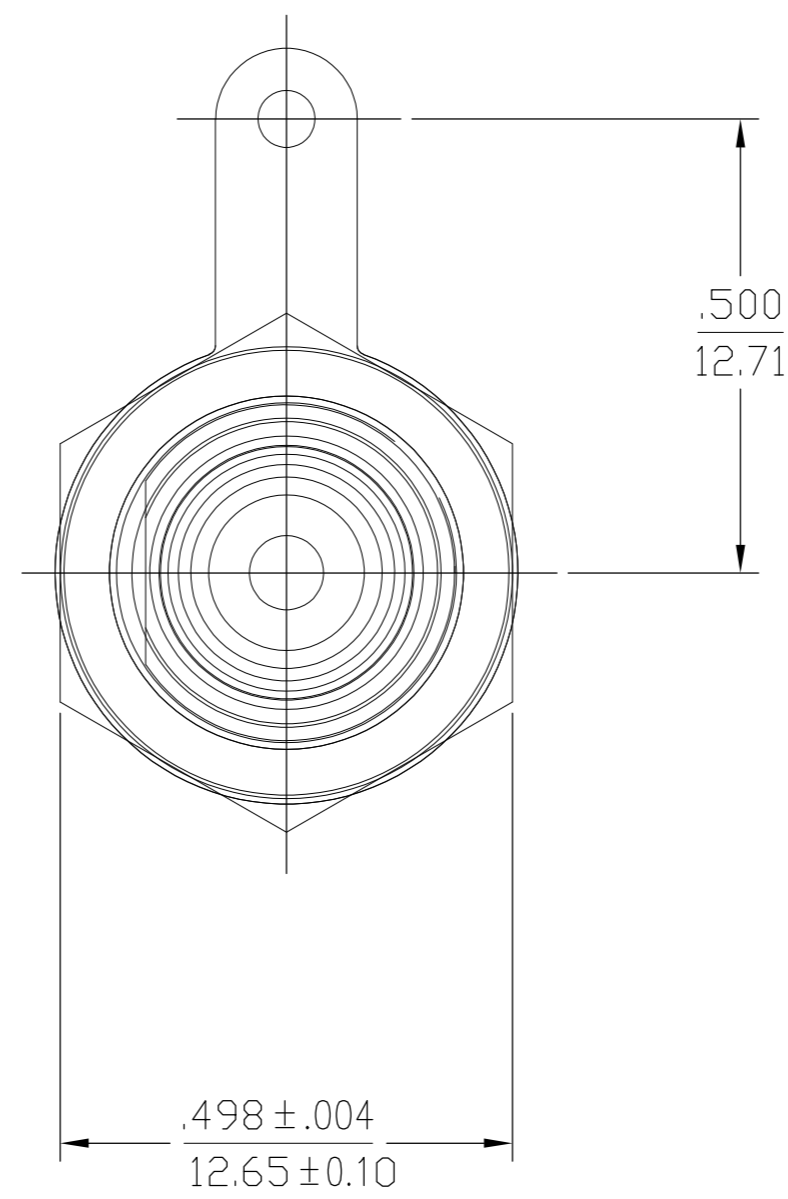
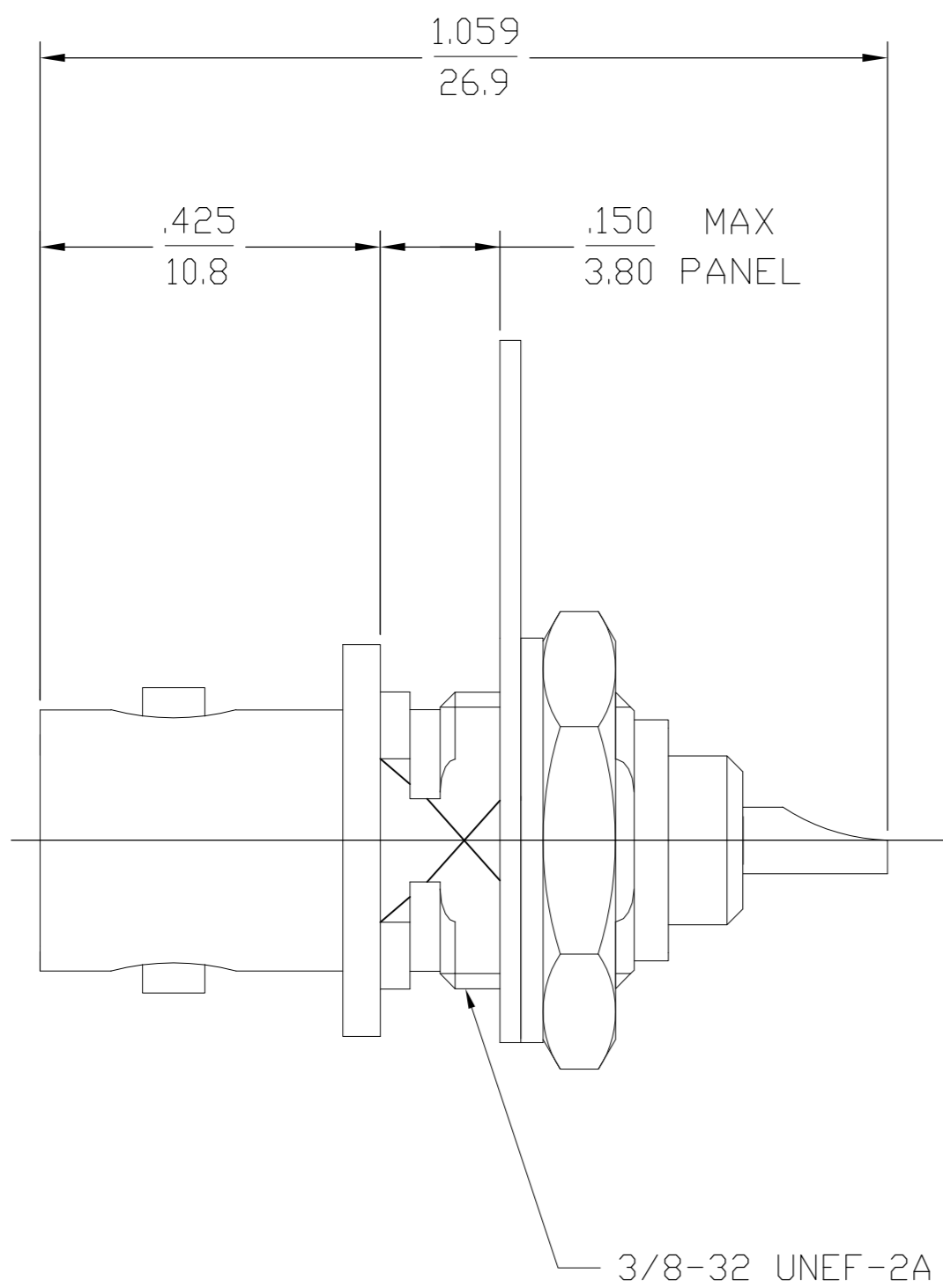


THIS DRAWING IS UNPUBLISHED. RELEASED FOR PUBLICATION
 © COPYRIGHT - By - ALL RIGHTS RESERVED.

LOC		DIST		REVISIONS			
P	LTR	DESCRIPTION	DATE	DWN	APVD		
	B2	ECR-12-005726	27MAR12	RK	MY		



RECOMMENDED
PANEL CUTOUT

ACROSS FLATS

- NOTES:
 1. LOCKWASHER TO BE FITTED BETWEEN SOLDER TAB AND JAM NUT

COMPONENT	MATERIAL	FINISH
JACK HOUSING SOLDER TAB MOUNTING NUT	BRASS	SILVER
FEMALE CONTACT	BERYLLIUM COPPER	SILVER
DIELECTRICS	PTFE	N/A
LOCKWASHER	PHOSPHOR BRONZE OR TIN BRASS	SILVER

1310802-1
 PART NUMBER

THIS DRAWING IS A CONTROLLED DOCUMENT.		DWN	J.D.L.	7/6/67		TE Connectivity			
DIMENSIONS:		CHK	J.D.L.	7-6-67		NAME			
INCHES [MM]		APVD	J.D.L.	7-6-67		BNC BULKHEAD SOCKET (B37M27E001X)			
TOLERANCES UNLESS OTHERWISE SPECIFIED:		PRODUCT SPEC	-			SIZE	CAGE CODE	DRAWING NO	RESTRICTED TO
0 PLC ± -		APPLICATION SPEC	-			A2	00779	C=1310802	-
1 PLC ± -		WEIGHT	-			SCALE	5:1	SHEET	1 of 1
2 PLC ± -		CUSTOMER DRAWING	-			REV	B2		
3 PLC ± .008 [0.20]									
4 PLC ± -									
ANGLES ± 1°									
MATERIAL									
FINISH									

1310802