

Socket Outlet - EV-T2M3SE12-3AC32A-0,7M6,0E10 - 1405214

Please be informed that the data shown in this PDF Document is generated from our Online Catalog. Please find the complete data in the user's documentation. Our General Terms of Use for Downloads are valid (<http://phoenixcontact.com/download>)



Infrastructure Socket Outlet for charging electric vehicles with alternating current (AC), compatible with Infrastructure Plugs, Type 2, IEC 62196-2, 32 A / 480 V (AC), 12 V Locking actuator, Single wires, Length: 0.7 m

Product Description

Infrastructure Socket Outlet for charging electric vehicles (EV) with alternating current (AC), compatible with type 2 Infrastructure Plugs, for installation at charging stations (EVSE)



Key Commercial Data

Packing unit	1 pc
Weight per Piece (excluding packing)	760.0 g
Custom tariff number	85444290
Country of origin	Germany

Technical data

Dimensions

Conductor length	0.70 m
------------------	--------

General

Product type	Infrastructure Socket Outlet for charging electric vehicles with alternating current (AC), compatible with Infrastructure Plugs
Standards/regulations	IEC 62196-2
Charging standard	Type 2
Charging mode	Mode 3

Features

Charging power	22 kVA
Number of phases	3
Rated current for power contacts	32 A
Rated voltage for power contacts	480 V AC
Type of signal transmission	Pulse width modulation

Socket Outlet - EV-T2M3SE12-3AC32A-0,7M6,0E10 - 1405214

Technical data

Features

Number of power contacts	5 (L1, L2, L3, N, PE)
Number of signal contacts	2 (CP, PP)
Connection method	Crimp connection, cannot be separated
Insertion force	< 100 N
Withdrawal force	< 100 N
Insertion/withdrawal cycles	> 10000
Ambient temperature (operation)	-30 °C ... 50 °C
Ambient temperature (storage/transport)	-40 °C ... 80 °C
Altitude difference for area of application	5000 m (above sea level)
Degree of protection	IP44 (plugged in)
	IP54 (with hinged cover, see accessories)

Locking actuator

Typical power supply at the motor	12 V
Possible power supply range at the motor	9 V ... 16 V
Typical motor current for locking	0.2 A
Max. reverse current of the motor	1 A
Max. dwell time with reverse current	1000 ms
Recommended adaptation time	600 ms
Maximum voltage for locking detection	30 V
Service life	> 10000 load cycles
Ambient temperature (operation)	-30 °C ... 50 °C
Length of cable	0.5 m

Classifications

eCl@ss

eCl@ss 4.0	272607xx
eCl@ss 4.1	27260701
eCl@ss 5.0	27260701
eCl@ss 5.1	27260701
eCl@ss 6.0	27279220
eCl@ss 7.0	27440103
eCl@ss 8.0	27440590
eCl@ss 9.0	27144706

ETIM

ETIM 3.0	EC002061
----------	----------

Socket Outlet - EV-T2M3SE12-3AC32A-0,7M6,0E10 - 1405214

Classifications

ETIM

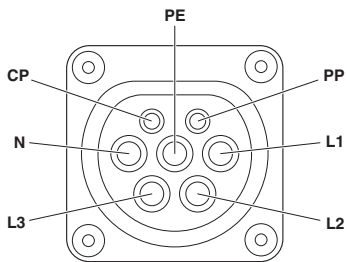
ETIM 4.0	EC002061
ETIM 5.0	EC002061

UNSPSC

UNSPSC 6.01	30211923
UNSPSC 7.0901	39121522
UNSPSC 11	39121522
UNSPSC 12.01	39121522
UNSPSC 13.2	39121522

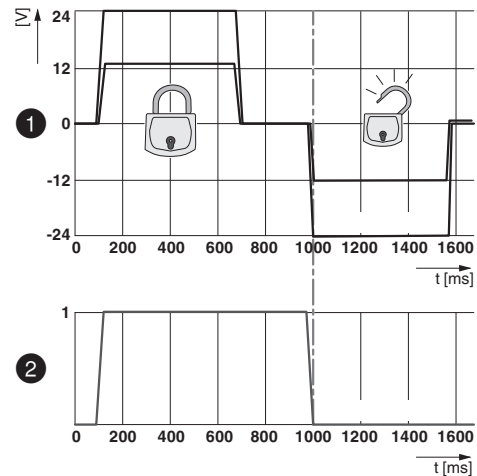
Drawings

Connection diagram



Pin assignment of Infrastructure Socket Outlet

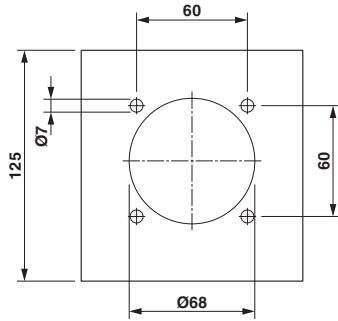
Diagram



Locking states of Infrastructure Socket Outlet

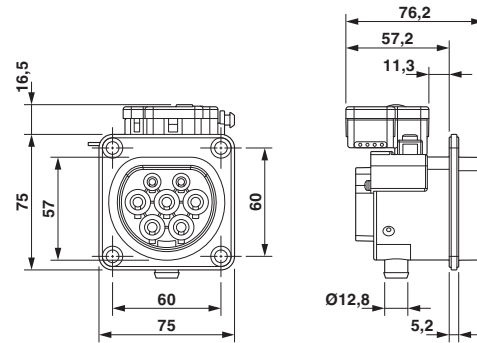
Socket Outlet - EV-T2M3SE12-3AC32A-0,7M6,0E10 - 1405214

Dimensional drawing



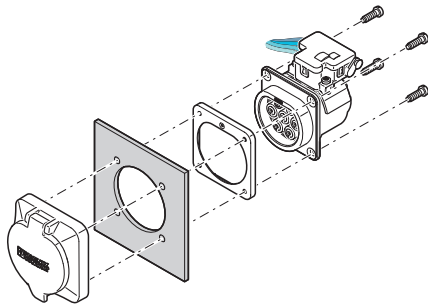
Hole image

Dimensional drawing



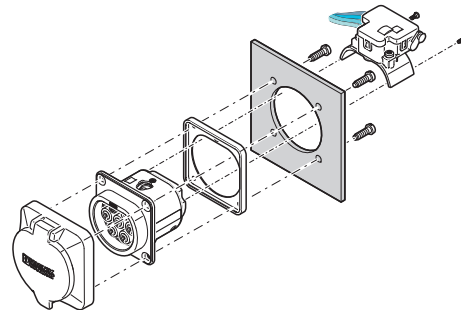
Dimensional drawing

Schematic diagram



Rear mounting

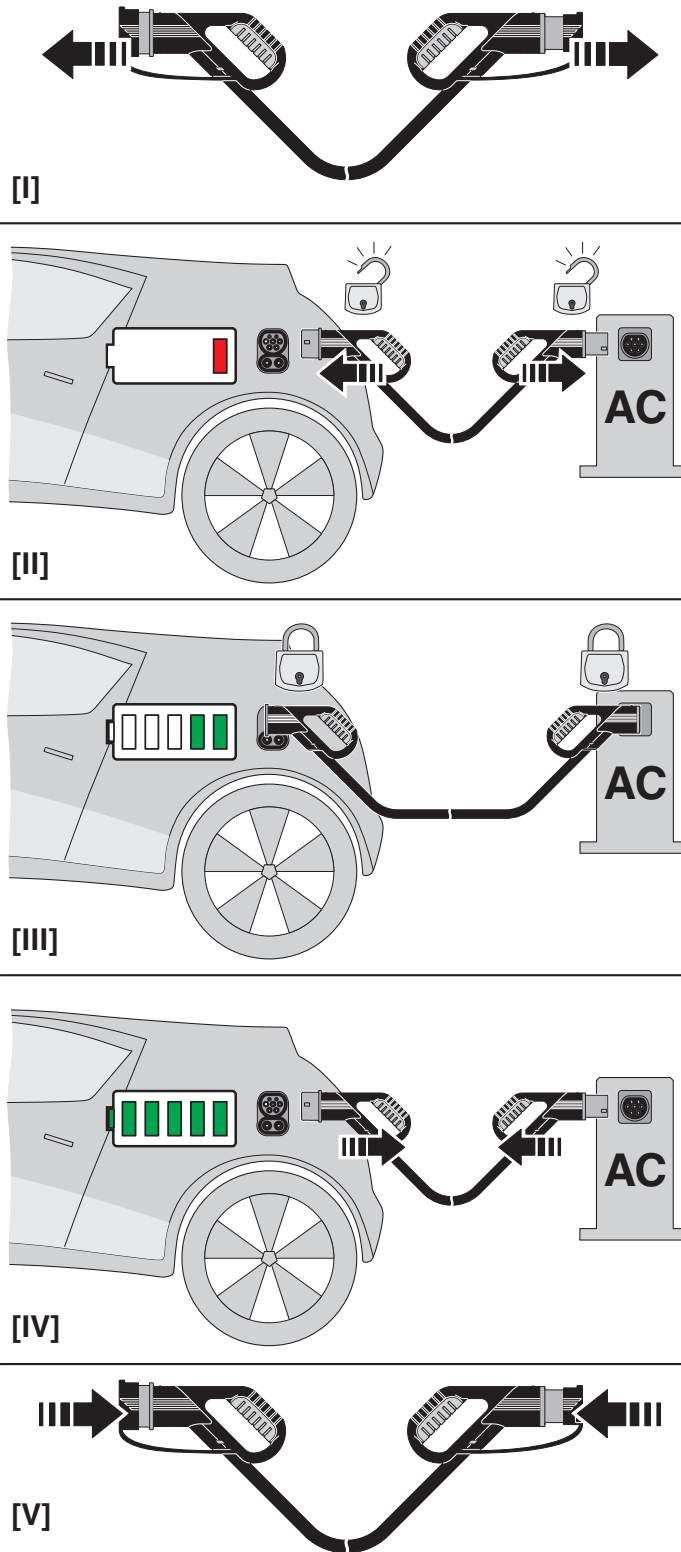
Schematic diagram



Front mounting

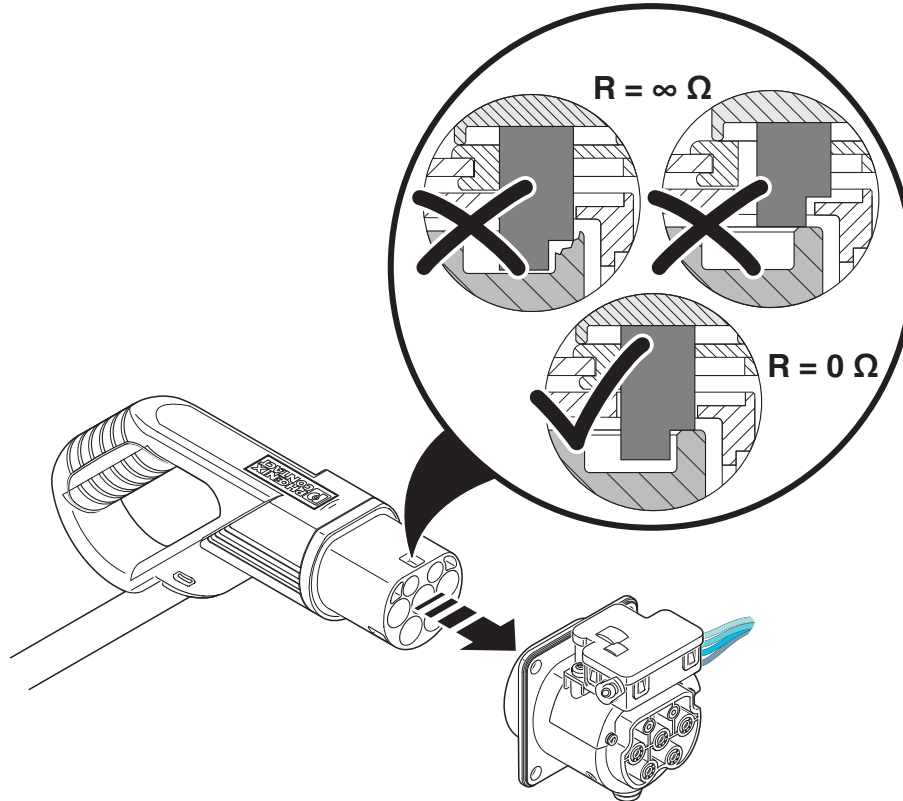
Socket Outlet - EV-T2M3SE12-3AC32A-0,7M6,0E10 - 1405214

Schematic diagram



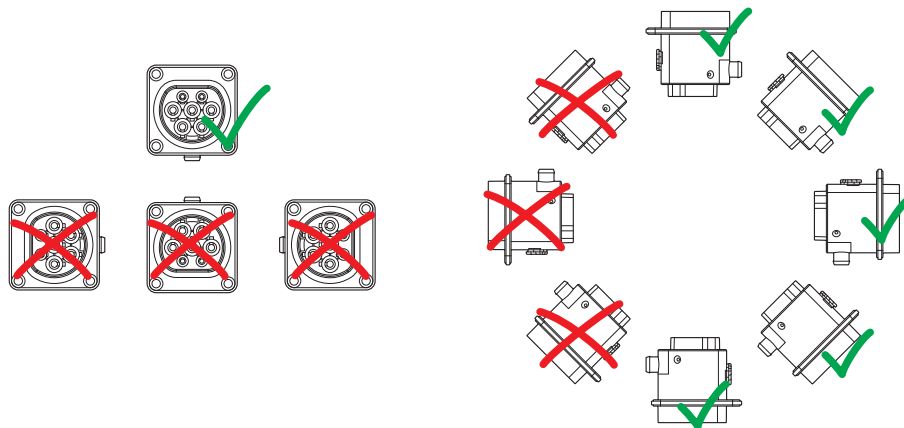
Socket Outlet - EV-T2M3SE12-3AC32A-0,7M6,0E10 - 1405214

Schematic diagram



Detection of the Infrastructure Plug

Schematic diagram



Installation positions

