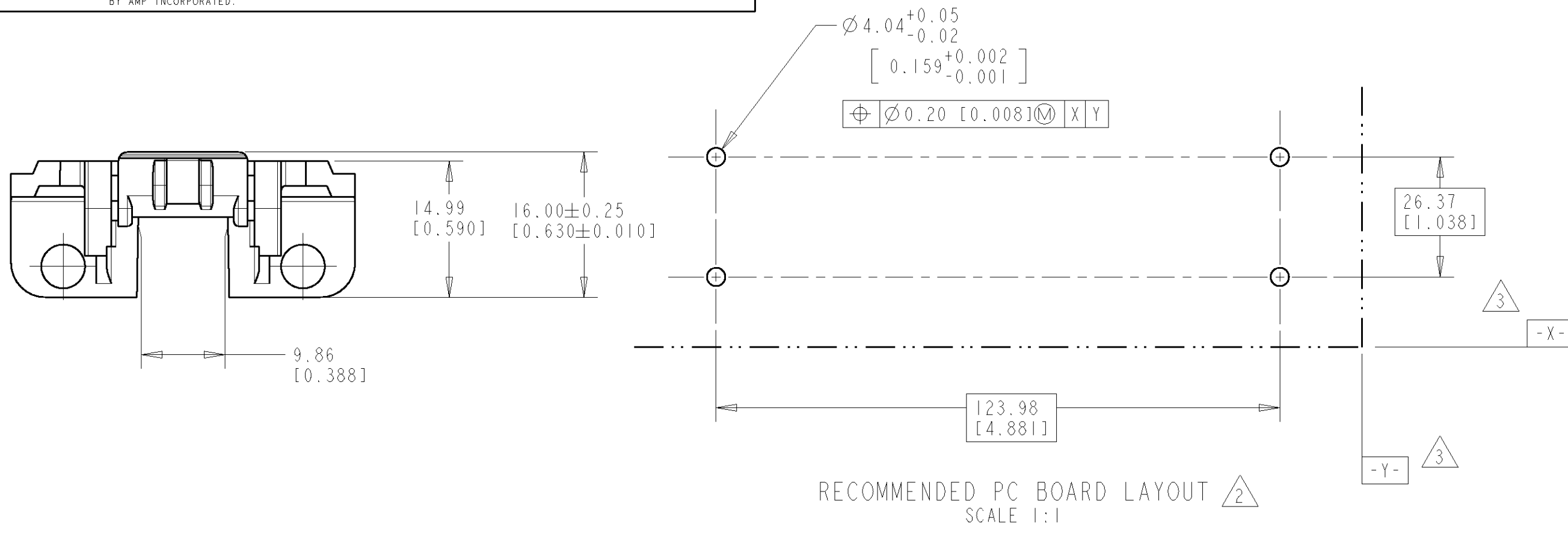


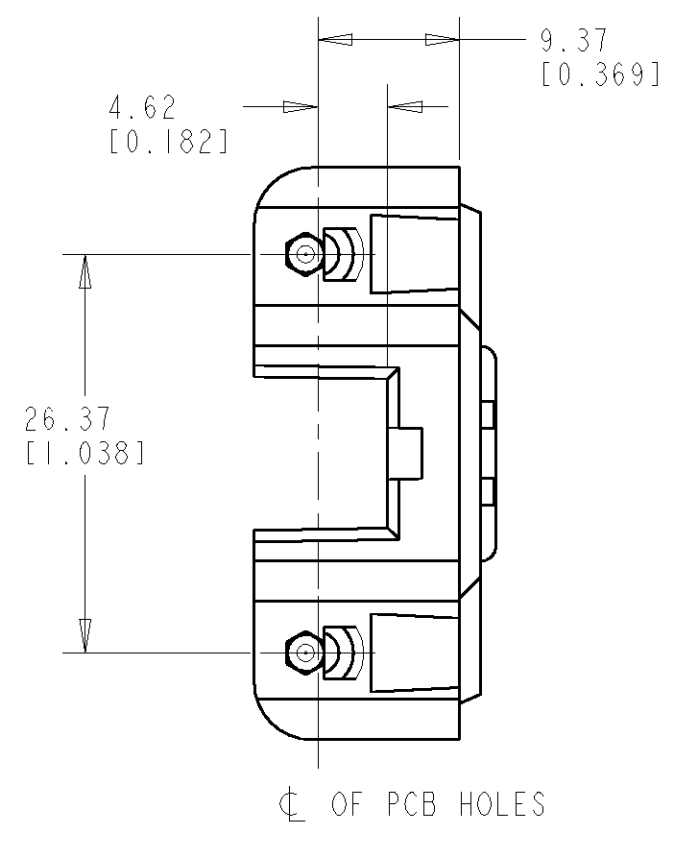
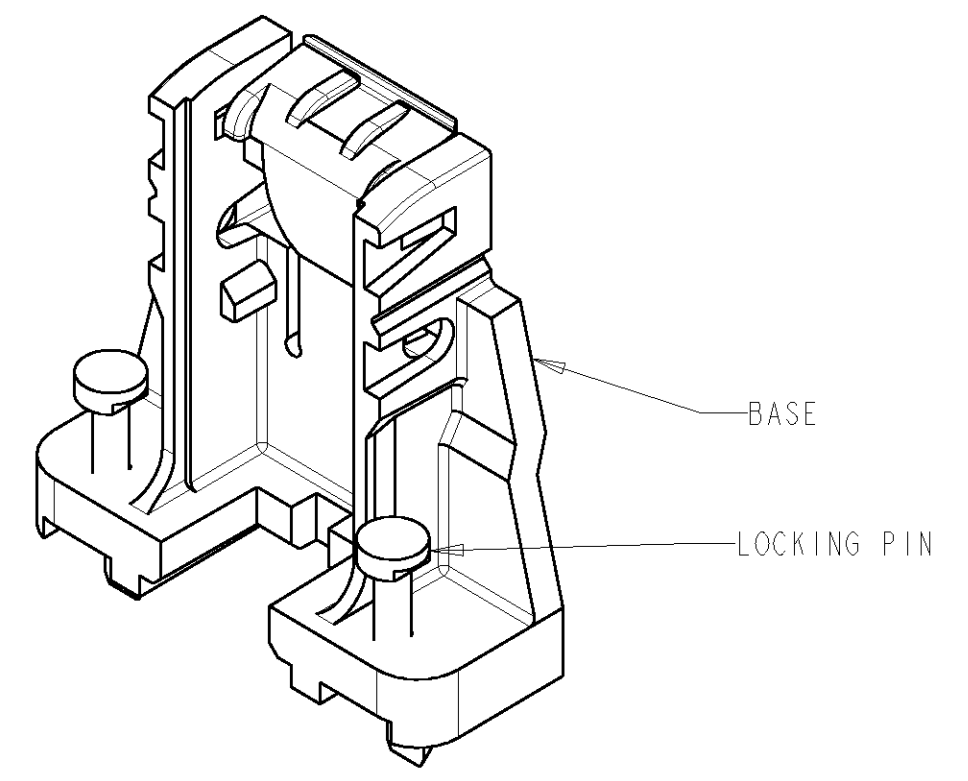
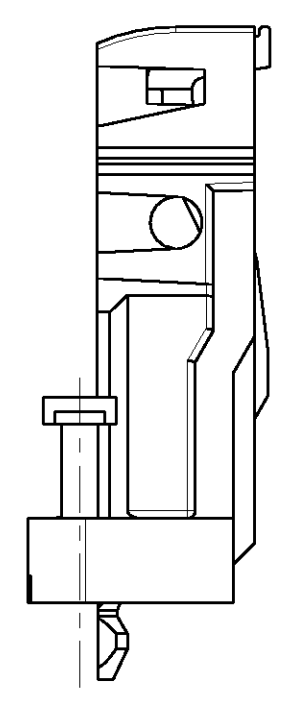
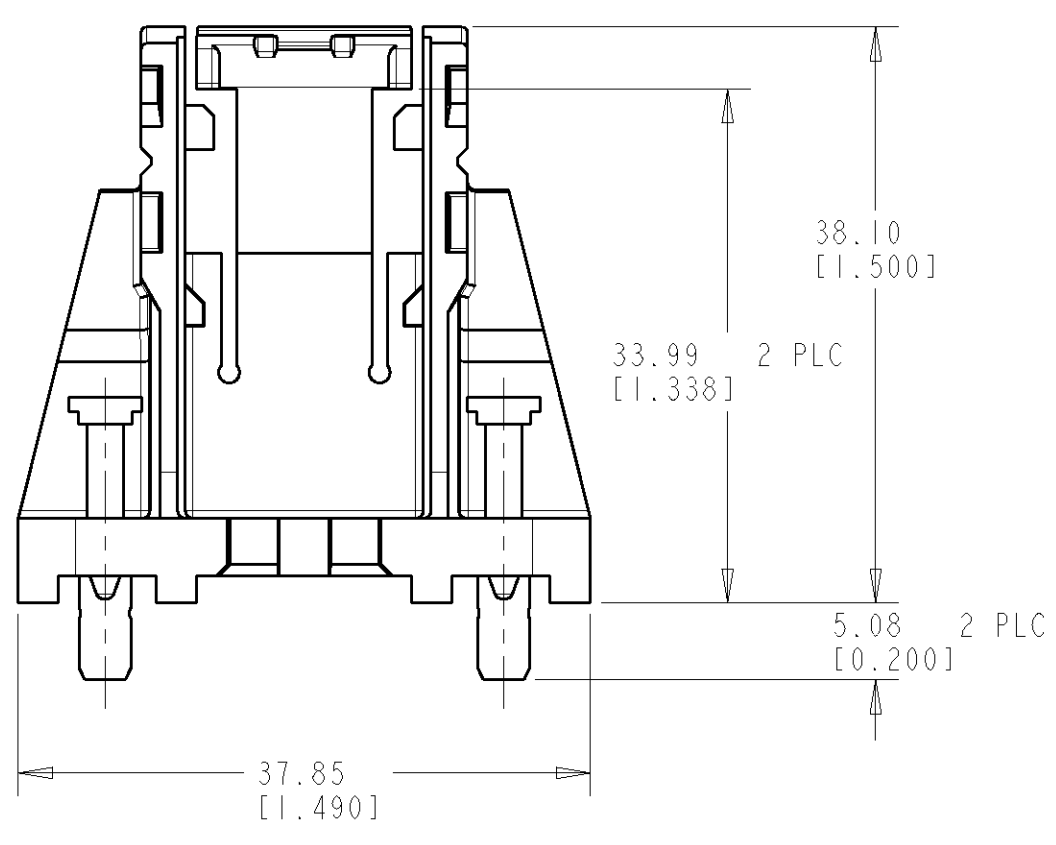
THIS DRAWING IS UNPUBLISHED. RELEASED FOR PUBLICATION .19
 © COPYRIGHT 19 BY AMP INCORPORATED. ALL RIGHTS RESERVED.

| LOC | DIST | REVISIONS | | | | | |
|-----|------|-----------|-----|-------------|---------|-----|------|
| AD | 14 | P | LTR | DESCRIPTION | DATE | DWN | APVD |
| | | 0 | | RELEASED | 16MAR99 | RB | KS |



- 1 MATERIAL: UL 94-V0 RATED POLYCARBONATE, BLACK.
- 2 RECOMMENDED PC BOARD THICKNESS OF 1.57±0.15 [0.062±0.006].
- 3 DATUM AND BASIC DIMENSIONS ESTABLISHED BY CUSTOMER.
- 4 EACH PROCESSOR INSTALLATION REQ'S TWO RETENTION MODULES.

RECOMMENDED PC BOARD LAYOUT 2
 SCALE 1:1



| | |
|-----------------------------|---------------|
| 2 MODULES WITH LOCKING PINS | 145451-2 |
| 1 MODULE WITH LOCKING PINS | 145451-1 |
| DESCRIPTION | 4 PART NUMBER |

| | | | | |
|---|---|---------------------------|---|--------------------|
| THIS DRAWING IS A CONTROLLED DOCUMENT FOR AMP INCORPORATED. IT IS SUBJECT TO CHANGE AND THE CONTROLLING ENGINEERING ORGANIZATION SHOULD BE CONTACTED FOR THE LATEST REVISION. | | DWN R BROWN 16MAR99 | AMP Incorporated Harrisburg, PA 17105-3608 | |
| DIMENSIONS: mm [INCHES] | TOLERANCES UNLESS OTHERWISE SPECIFIED: 0 PLC ± 1 PLC ± 2 PLC ±0.13 [0.005] 3 PLC ± 4 PLC ± ANGLES ± FINISH - | CHK K STILES 16MAR99 | NAME UNIVERSAL RETENTION MODULE ASSEMBLY KIT, PIN FASTENER SHORT LATCH | |
| | | APVD D SUMMERS 16MAR99 | PRODUCT SPEC 108-1826 | RESTRICTED TO - |
| MATERIAL 1 | | APPLICATION SPEC - | WEIGHT - | SIZE A2 |
| | | CUSTOMER DRAWING | SCALE 2:1 | SHEET OF 1 REV 0 |

145451
 B