

# SPECIFICATIONS

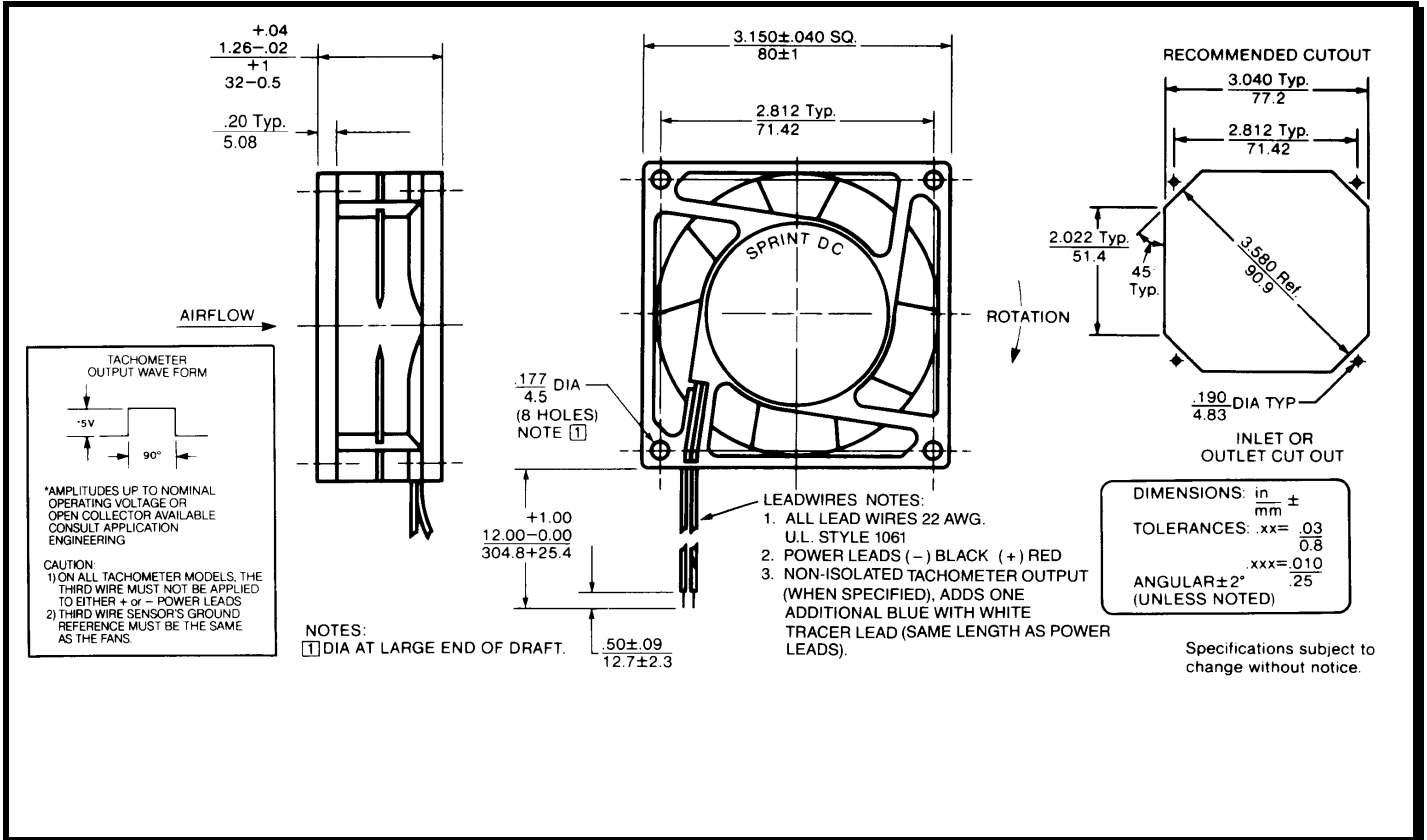
(RoHS Compliant)



**Model Number:** STD12B3-E3  
**Part Number:** 17001213A

**Version:** 00  
**Jun 13, 2018**

## Mechanical Drawing:



### Motor:

Nominal Voltage = 12 vdc  
 Operating Voltage Range = 8-16 vdc  
 Nominal Running Current = 0.280 amps  
 Max. Locked Rotor Current = 0.700 amps  
 Running Power = 3.4 watts  
 Average Speed = 3400 RPM  
 Bearings = Ball  
 Air Flow = 32 CFM  
 Acoustic = 40.9 dBA

### Construction:

Venturi: Plastic, Black, UL 94V-0  
 Propeller: Plastic, Black, UL 94V-0

### Life Expectancy:

This fan is designed for continuous duty life of 45,000 hours at 70°C.

### Additional Features:

Brushless DC Motor  
 Automatic Restart Capability  
 Electronic Locked Rotor Protection  
 Polarity Protected  
 Operating Temperature: -10°C to 70°C  
 Storage Temperature: -40°C to 85°C  
 Environmental Protection: Type 3(IP68)

### Termination:

12" Lead wires, 22 AWG, UL 1061  
 Red = Power  
 Black = Ground

### Agencies:

UL, CUL, CE

**PQ Curve:**

