

SPECIFICATIONS

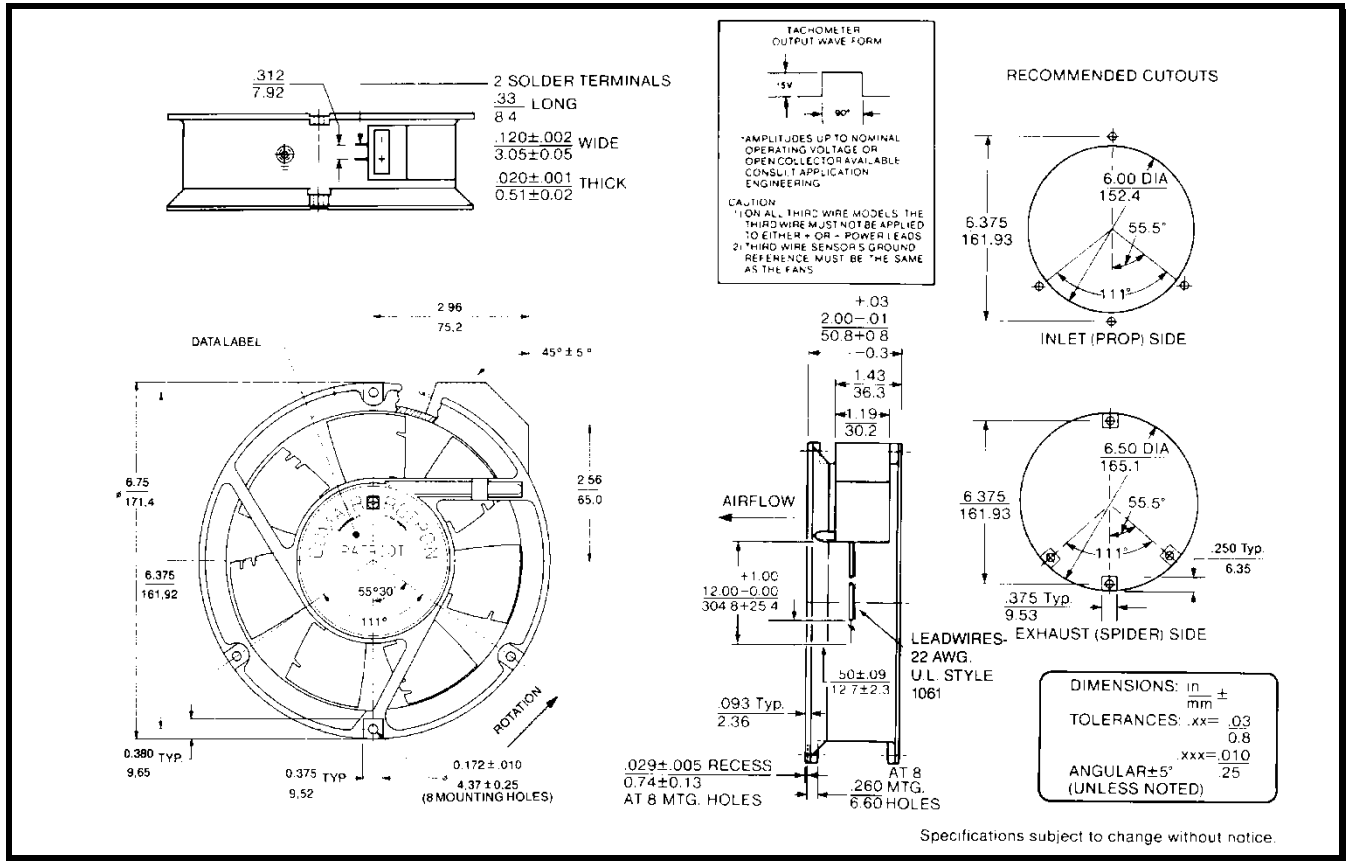
(RoHS Compliant)



Model Number: PQ48B4
Part Number: 19031085A
SPEC NUMBER: 26013805A01

April 22, 2005

Mechanical Drawing:



Motor:

Nominal Voltage = 48 vdc
 Operating Voltage Range = 24 - 56 vdc
 Nominal Running Current = 0.460 amps
 Locked Rotor Current = 1.000 amps
 Running Power = 22.0 watts
 Average Speed = 3475 RPM
 Bearings = Ball
 Air Flow = 235 CFM
 Acoustic = 51.2 dBA

Construction:

Venturi: Die-Cast Aluminum, Black
 Propeller: Plastic, Black, UL 94V-0

Life Expectancy:

This fan is designed for continuous duty life of 75,000 hours at 40°C.

Additional Features:

Brushless DC Motor
 Locked Rotor Protection
 Reverse Polarity Protected
 Automatic restart Capability
 Operating Temperature: -10°C to 70°C
 Storage Temperature: -40°C to 85°C

Termination:

2 Terminals

Agency Approvals:

UL, cUL, CE