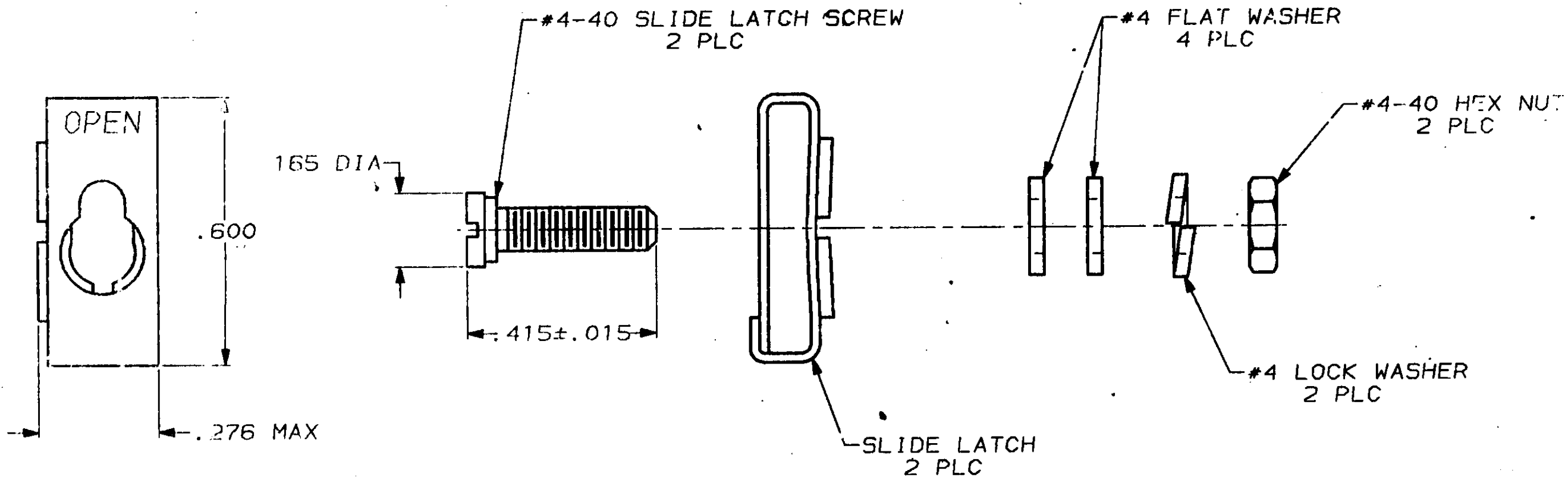


LOC	DIST	P	F	ZONE	LTR	REVISIONS	DATE	APPD
BD	39		<input checked="" type="checkbox"/>		F	REVISED & REDRAWN PER ECN 2364	9/15/88	gts
REVISIONS							DATE	APPD
DESCRIPTION								



- 1. PARTS PACKAGED UNASSEMBLED.
- 2. PARTS PACKAGED AS A UNIT KIT.
- 3. PARTS INDIVIDUALLY BULK PACKED & SHIPPED AS A UNIT PACKAGE.
- 4. ZINC PLATED PER ASTM B633, TYPE II, CLASS SCI, YELLOW CHROMATE.
- 5. ZINC PLATED PER ASTM B633, TYPE III, CLASS SCI, CLEAR CHROMATE.
- 6. THIS KIT CAN BE USED WITH ONE-PIECE STRAIGHT/45° EXIT CABLE CLAMPS, ONE-PIECE STRAIGHT/90° EXIT CABLE CLAMPS, OR ON CONNECTORS WITHOUT CABLE CLAMPS.

6	OBSOLETE	5	#4-40	3	206942-4
6	OBSOLETE	5	#4-40	2	206942-3
		4	#4-40	3	206942-2
		4	#4-40	2	206942-1

DO NOT SCALE PRINT. UNLESS SPECIFIED DIMENSIONS IN INCHES TOLERANCES ON:		AMP		AMP INCORPORATED	
2 PLC DEC * -		HARDWARE FINISH		Morgantown, Pa. 17105	
3 PLC DEC * .005		THREAD TYPE		KIT, TWO-PIECE SLIDE LATCH, SIZES 1 THRU 4, AMPLIMITE®	
ANGLES * -		PACKAGING		NAME	
MATERIAL SLIDE LATCH, STAINLESS STEEL		PART NO		DR - 8-4-88	
HARDWARE, STEEL PER ASTM A108 FINISH				CHK - W.B. [signature]	
HARDWARE, SEE TABLE				APPD - R. [signature]	
				APPD - [signature]	
				PRODUCT SPEC	
				APPLICATION SPEC	
				WEIGHT	
SIZE	F3CH NO	DRAWING NO			
B	00779	206942			
SCALE	4:1	SHEET		1 OF 1	