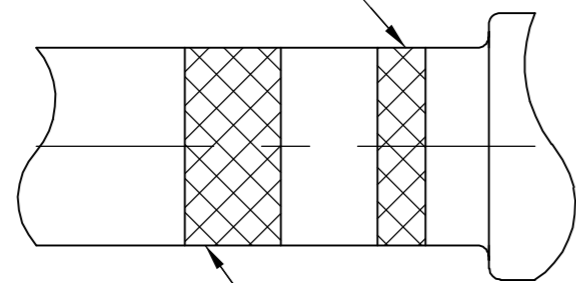


THIS DRAWING IS UNPUBLISHED. RELEASED FOR PUBLICATION  
 © COPYRIGHT BY TYCO ELECTRONICS CORPORATION. ALL RIGHTS RESERVED.

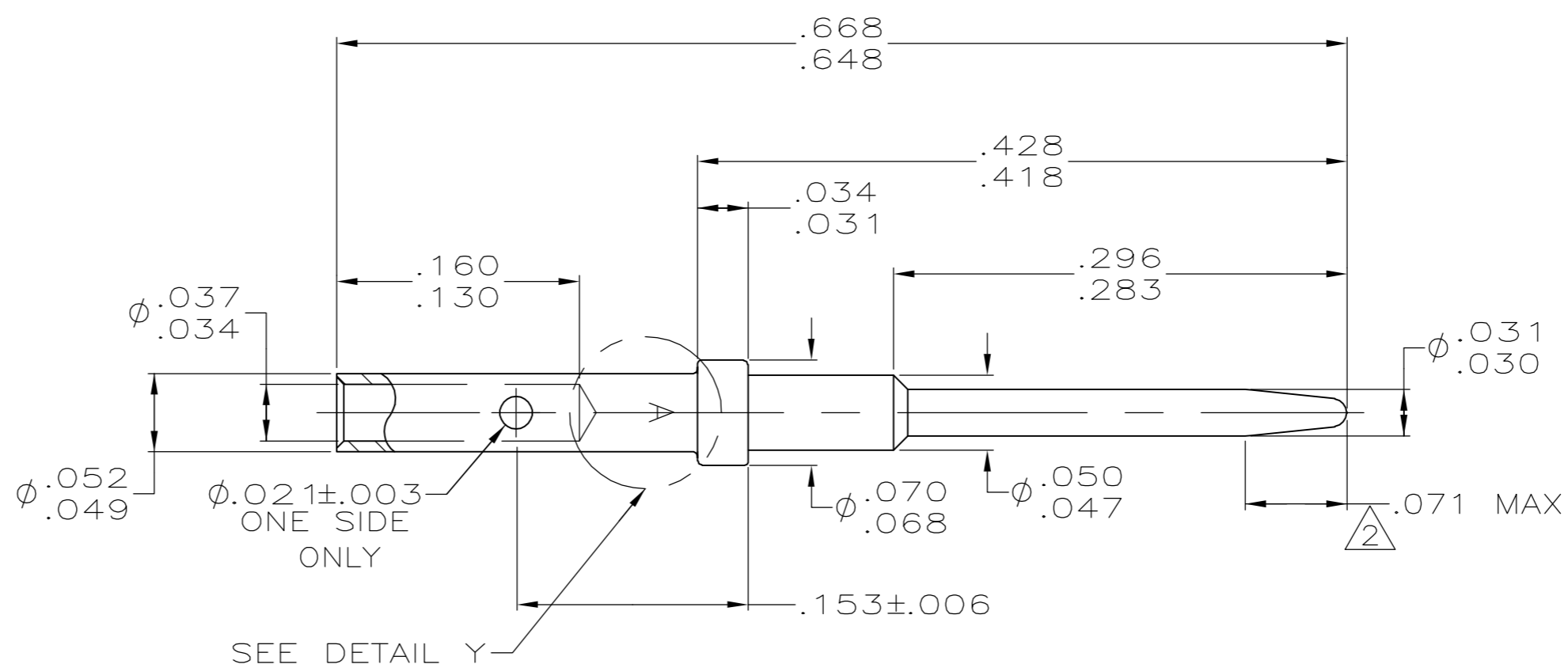
LOC		DIST		REVISIONS			
P	LTR	DESCRIPTION	DATE	DWN	APVD		
DF	A0	H	REV PER EC 0H14-0154-04	23JAN06	TK	CT	

ORANGE COLOR CODE



GREEN  
COLOR CODE

DETAIL Y  
SCALE 20:1  
(208262-3 ONLY)



- ① FINISH: PLATED .000050 MIN THK GOLD PER MIL-G-45204 OVER .000050 MIN THK NICKEL PER QQ-N-290.
- ② POINT OF ELECTRICAL ENGAGEMENT.

COLOR CODED	208262-3
AS SHOWN	208262-2
DESCRIPTION	PART NUMBER

THIS DRAWING IS A CONTROLLED DOCUMENT.		DWN	C.C.THOMAS	10/24/00	Tyco Electronics Corporation Harrisburg, PA 17105-3608
DIMENSIONS: INCHES		CHK	S.GLATFELTER	10/24/00	
TOLERANCES UNLESS OTHERWISE SPECIFIED:		APVD	S.GLATFELTER	10/24/00	
0 PLC ± - 1 PLC ± - 2 PLC ± - 3 PLC ± .005 4 PLC ± - ANGLES ± - FINISH		NAME		PRODUCT SPEC	
MATERIAL: COPPER ALLOY		WEIGHT		-	APPLICATION SPEC
FINISH		①		-	SIZE
CUSTOMER DRAWING		SCALE		10:1	CAGE CODE
		SHEET		1 of 1	DRAWING NO
		REV		H	RESTRICTED TO

208262

A