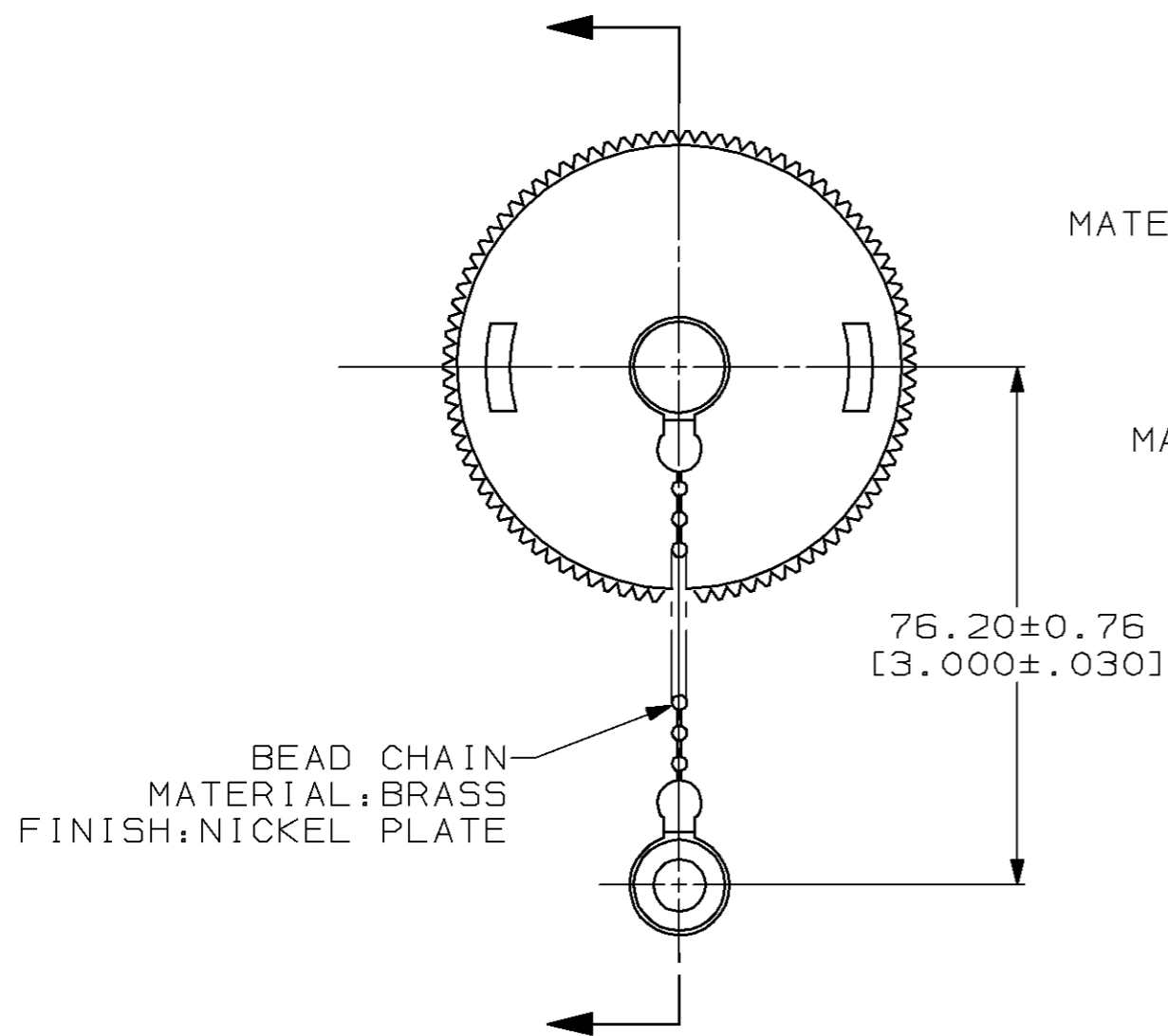


THIS DRAWING IS UNPUBLISHED. RELEASED FOR PUBLICATION, 19 .  
 © COPYRIGHT 19 BY AMP INCORPORATED. ALL INTERNATIONAL RIGHTS RESERVED.

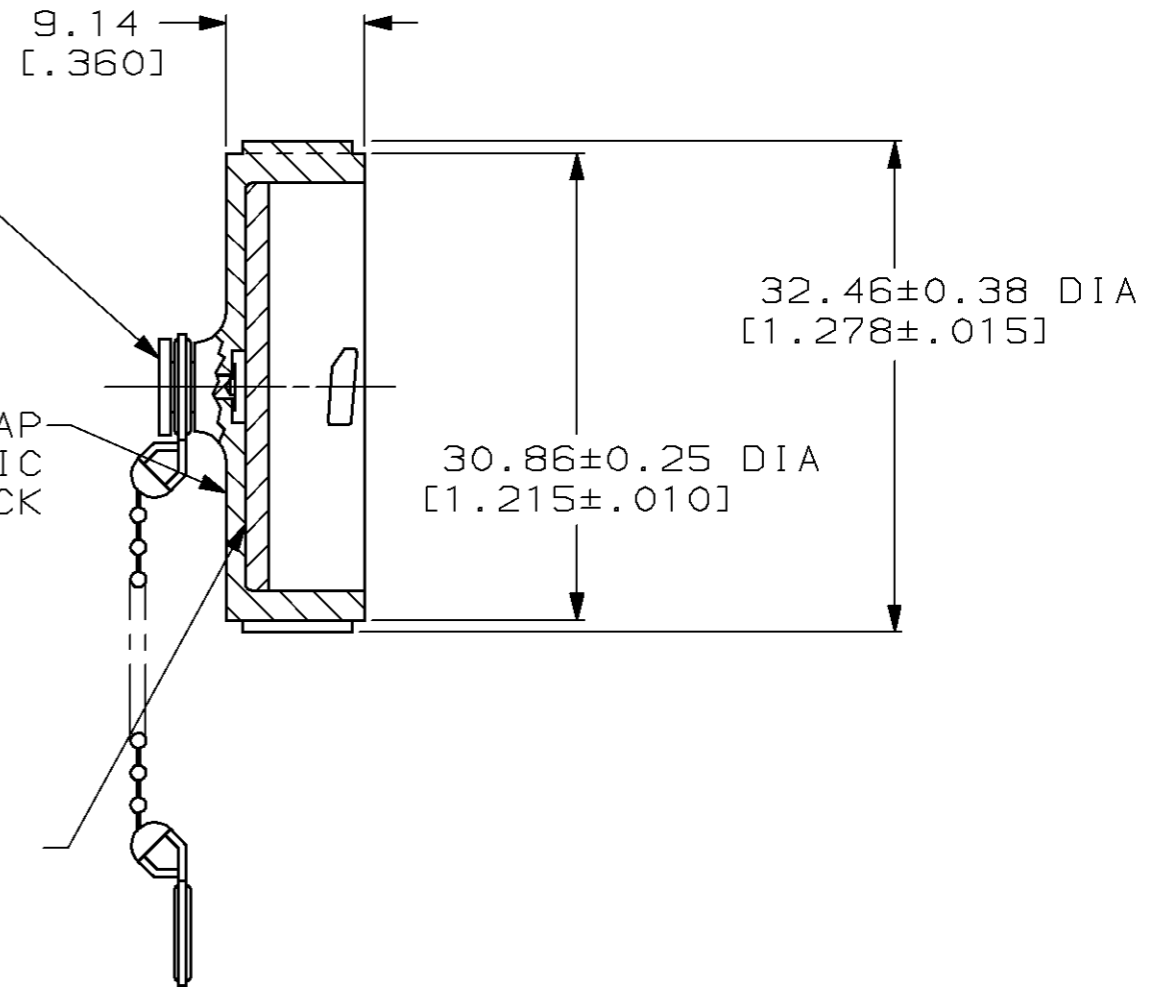
LOC	DIST	P	F	REVISIONS				
				ZONE	LTR	DESCRIPTION	DATE	APPD
FT	4				D	REDRAWN & REV PER EC 0020-680-93	14 AUG 97	KD
					E	ADDED -2 PER EC 0320-273-97	14 AUG 97	KD



RIVET  
 MATERIAL: CARBON STEEL  
 FINISH: ZINC PLATE  
 W/CLEAR CHROMATE

SEALING CAP  
 MATERIAL: THERMOPLASTIC  
 COLOR: BLACK

SEALING GASKET  
 MATERIAL: ELASTOMER  
 COLOR: BLACK  
 SEE TABLE



NO	208652-2
YES	208652-1
SEALING GASKET	PART NUMBER

THIS DRAWING IS A CONTROLLED DOCUMENT FOR AMP INCORPORATED. IT IS SUBJECT TO CHANGE AND THE CONTROLLING ENGINEERING ORGANIZATION SHOULD BE CONTACTED FOR THE LATEST REVISION.

DO NOT SCALE PRINT, UNLESS SPECIFIED DIMENSIONS IN mm [INCHES] TOLERANCES ON: 2 PLC DEC ± 0.13 [.005] 3 PLC DEC ± - ANGLES ± -		DR 6-10-93 D. BROCKWAY	<b>AMP</b> AMP Incorporated Harrisburg, PA 17105-3608
MATERIAL SEE CALLOUTS		CHK 7-1-93 R. STONE	
FINISH SEE CALLOUTS		APPD 7-1-93 AL FRANTUM	NAME SEALING CAP ASSY, SIZE 17, WITH BEAD CHAIN, CPC
		APPD 7-1-93 AL FRANTUM	SIZE <b>B</b> CAGE CODE 00779 DRAWING NO <b>C-208652</b>
		PRODUCT SPEC -	SCALE 2:1 SHEET 1 OF 1
		APPLICATION SPEC -	
		WEIGHT -	