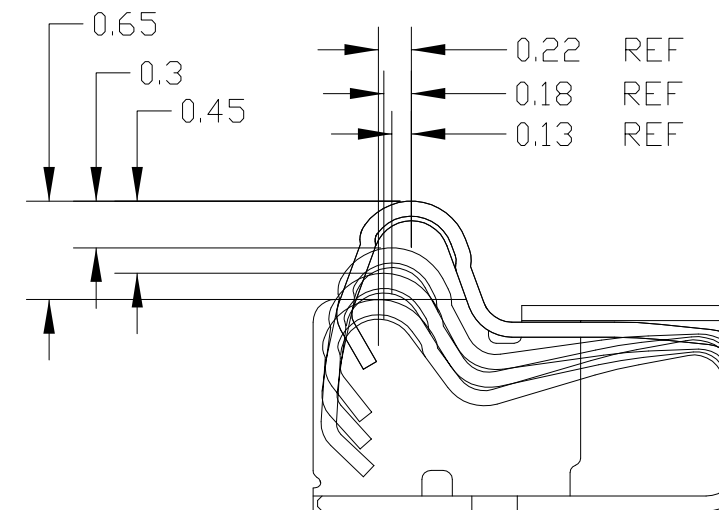


P	LTR	DESCRIPTION	DATE	DWN	APVD
	B	REVISED	05JUNE2013	IC.K	JH.K
	C	REVISED	13JUNE2013	IC.K	JH.K
	C1	REVISED	19JAN2015	IC.K	JH.K
	C2	REVISED	06FEB2015	IC.K	JH.K

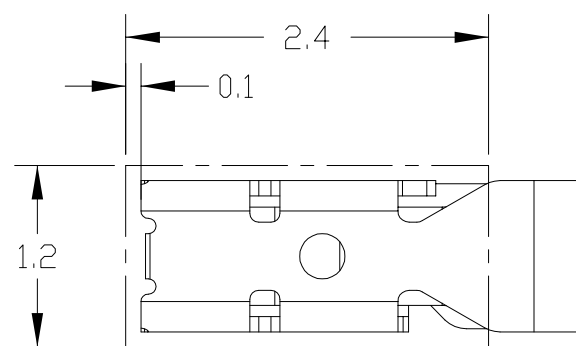
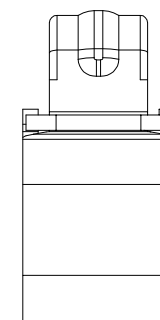
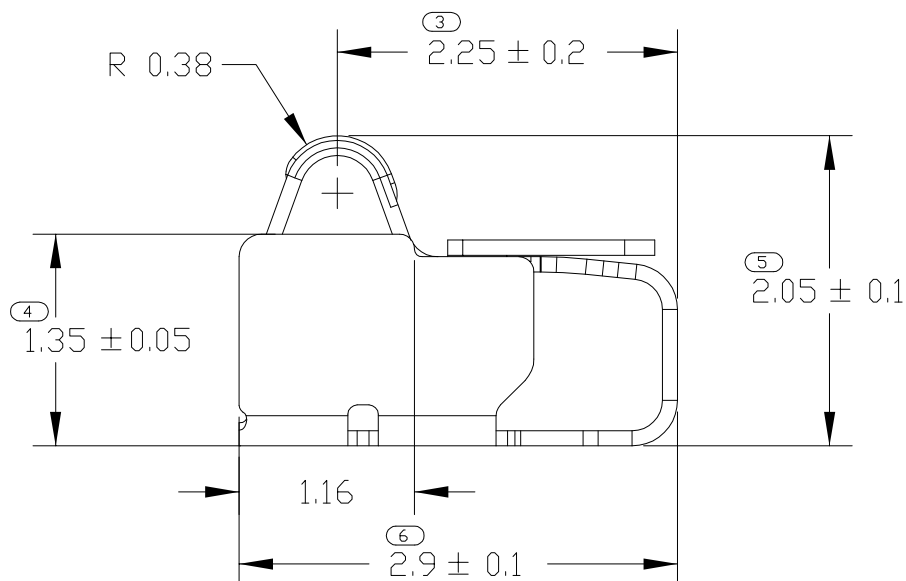
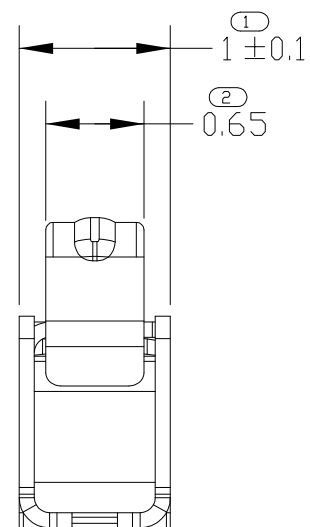
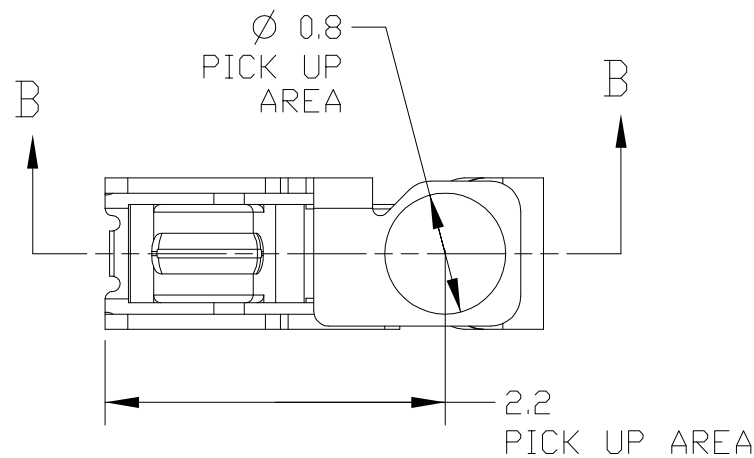
AS SHOWN
2108612-5
② 2-2108612-6



SECTION B-B
STROKE CONDITION (REFERENCE)

- ① MATERIAL: COPPER ALLOY, THK.=0.1mm
- ② FINISH: NI UNDER PLATING ALL OVER 0.8~3.0um
CONTACT PLATING: Au 0.1~0.4um
SOLDER PLATING: Au FLASH 0.05~0.35um
- ③ CUTTING BURR: 0.05mm MAX.
- ④ PRODUCT SPEC

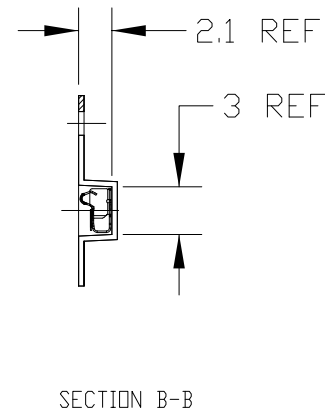
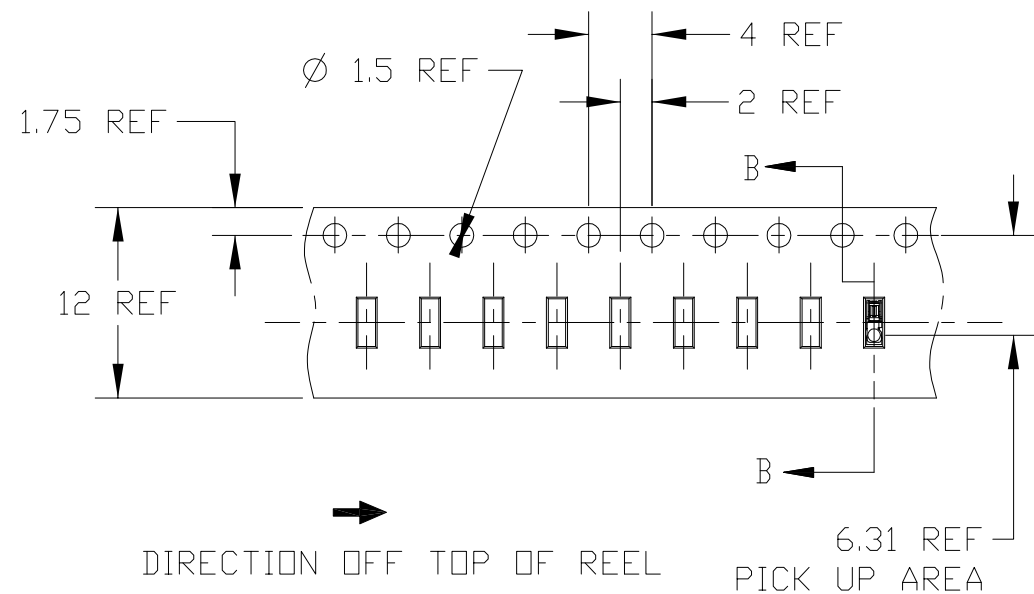
NO	PART NUMBER	PRODUCT SPEC
1	2108612-5	108-61187
2	2-2108612-6	108-61252



RECOMMENDED PCB LAYOUT
(REFERENCE)

THIS DRAWING IS A CONTROLLED DOCUMENT.		DWN IC KANG 05APR2013	TE Connectivity				
DIMENSIONS: mm		CHK JH KIM 05APR2013					
TOLERANCES UNLESS OTHERWISE SPECIFIED: ± 0.15		APVD JH KIM 05APR2013	NAME SPRING FINGER 2.05H				
0-PLC ± 1-PLC ±0.5 2-PLC ±0.13 3-PLC ±0.013 4-PLC ±0.0001 ANGLES ±		PRODUCT SPEC SEE TABLE ④	SIZE A3	CAGE CODE 00779	DRAWING NO C-2108612	RESTRICTED TO -	
MATERIAL ①		FINISH ②	WEIGHT -		SCALE 20:1	SHEET 1 OF 2	REV C2
CUSTOMER DRAWING							

P	LTR	DESCRIPTION	DATE	DWN	APVD
		SEE SHEET 1			



TE

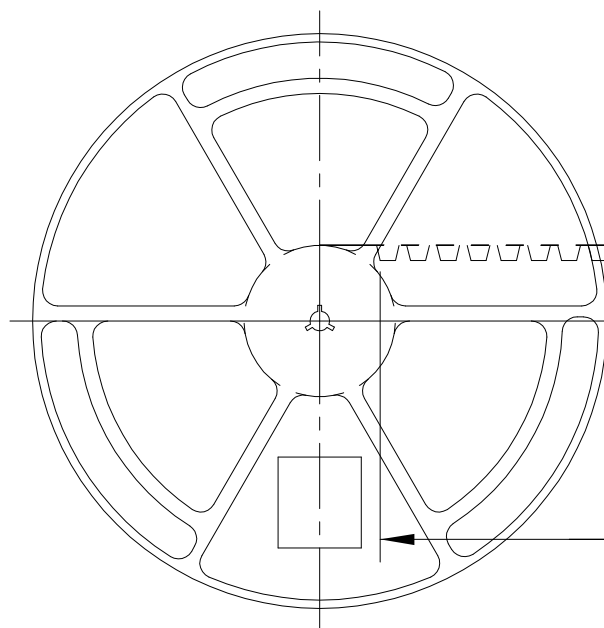
EAG63613001-YYYYMMDD-*****-HK000120
 SPEC: 2.05H SPRING FINGER WITH EMBOSS
 Company Name: TE CONNECTIVITY
 Tyco Part Number : 2108612-5

RoHS
H/F

- 1. LG PART NO. 2. FINAL INSPECTION(YYYMMDD)
- 3. VENDOR PRODUCTION LOT NO. 4. VENDOR CODE

Ø100 REF
FLANGE CORE DIA.

Ø330 REF
REEL DIA.



WEEDING THE COVER TAPE,
AROUND THE OUTER
PERIPHERY IN
A TURN.

165°~180°
PEELING ANGLE
0.1~1.0 N
PEELING FORCE

WITH PRODUCT CHARGE
7000EA/REEL

WITHOUT CHARGE
400mm

WITHOUT CHARGE
160mm

13.4 REF
19.4 REF
REEL WIDTH

THIS DRAWING IS A CONTROLLED DOCUMENT.		DWN IC KANG 05APR2013		TE TE Connectivity	
		CHK JH KIM 05APR2013		NAME SPRING FINGER 2.05H	
		APVD JH KIM 05APR2013			
DIMENSIONS: mm		TOLERANCES UNLESS OTHERWISE SPECIFIED: ±0.15		PRODUCT SPEC 108-XXXXX	
		0-PLC ±		APPLICATION SPEC -	
		1-PLC ±0.5			
		2-PLC ±0.13			
		3-PLC ±0.013			
		4-PLC ±0.0001		SIZE CAGE CODE DRAWING NO	
MATERIAL		FINISH		A300779 C=2108612	
		WEIGHT		RESTRICTED TO	
		CUSTOMER DRAWING		SCALE 20:1 SHEET 2 OF 2 REV C2	