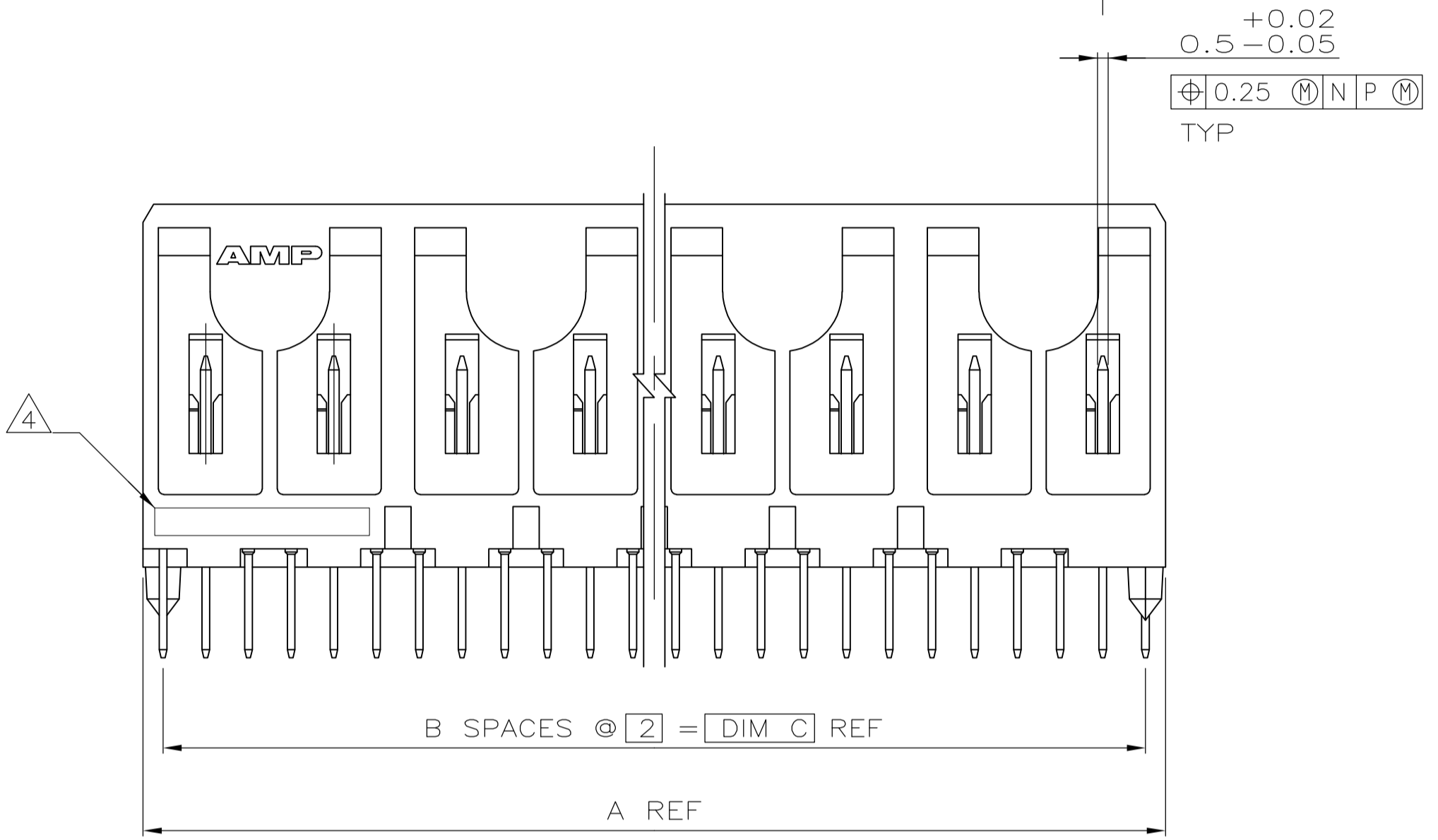
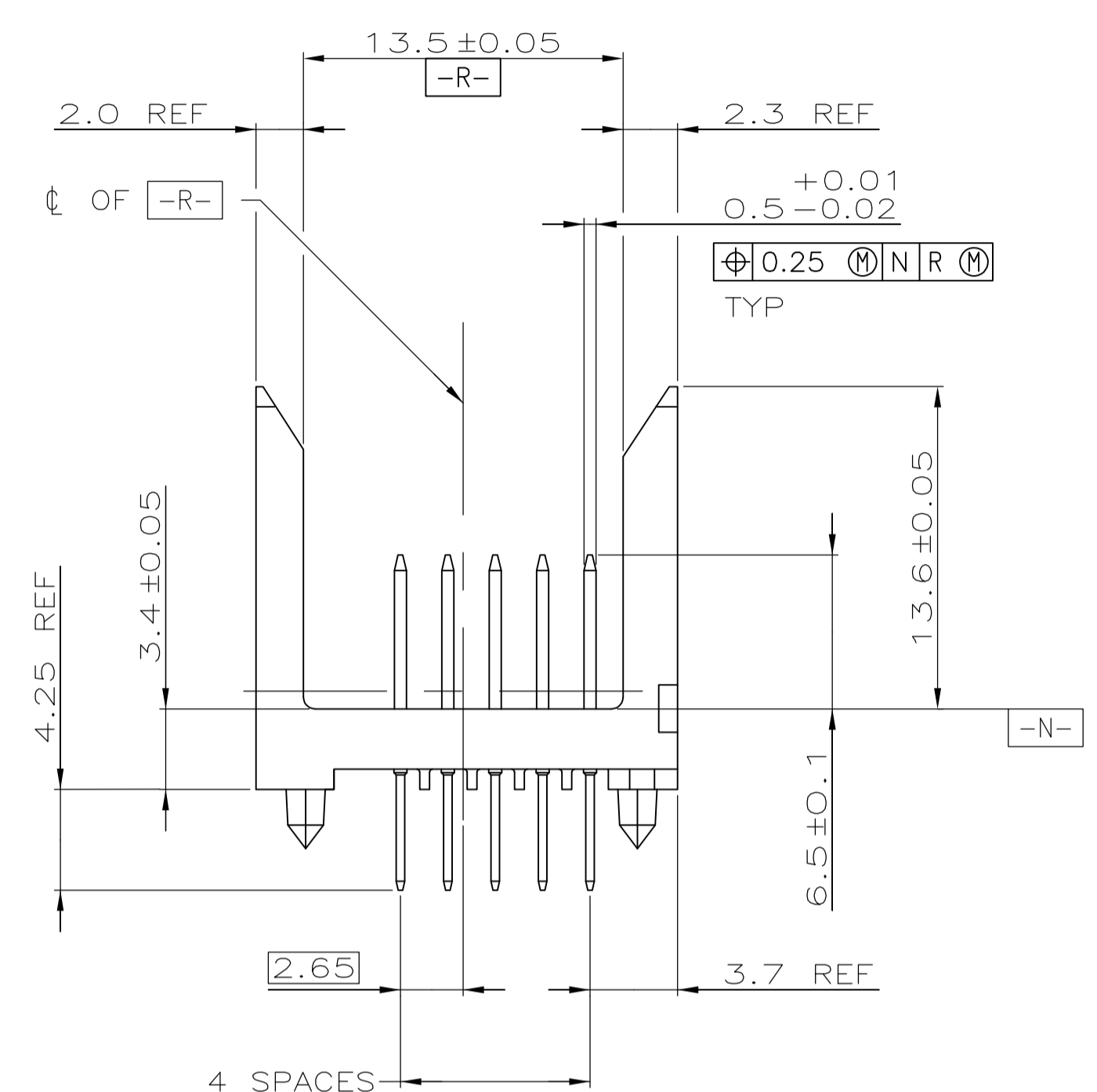
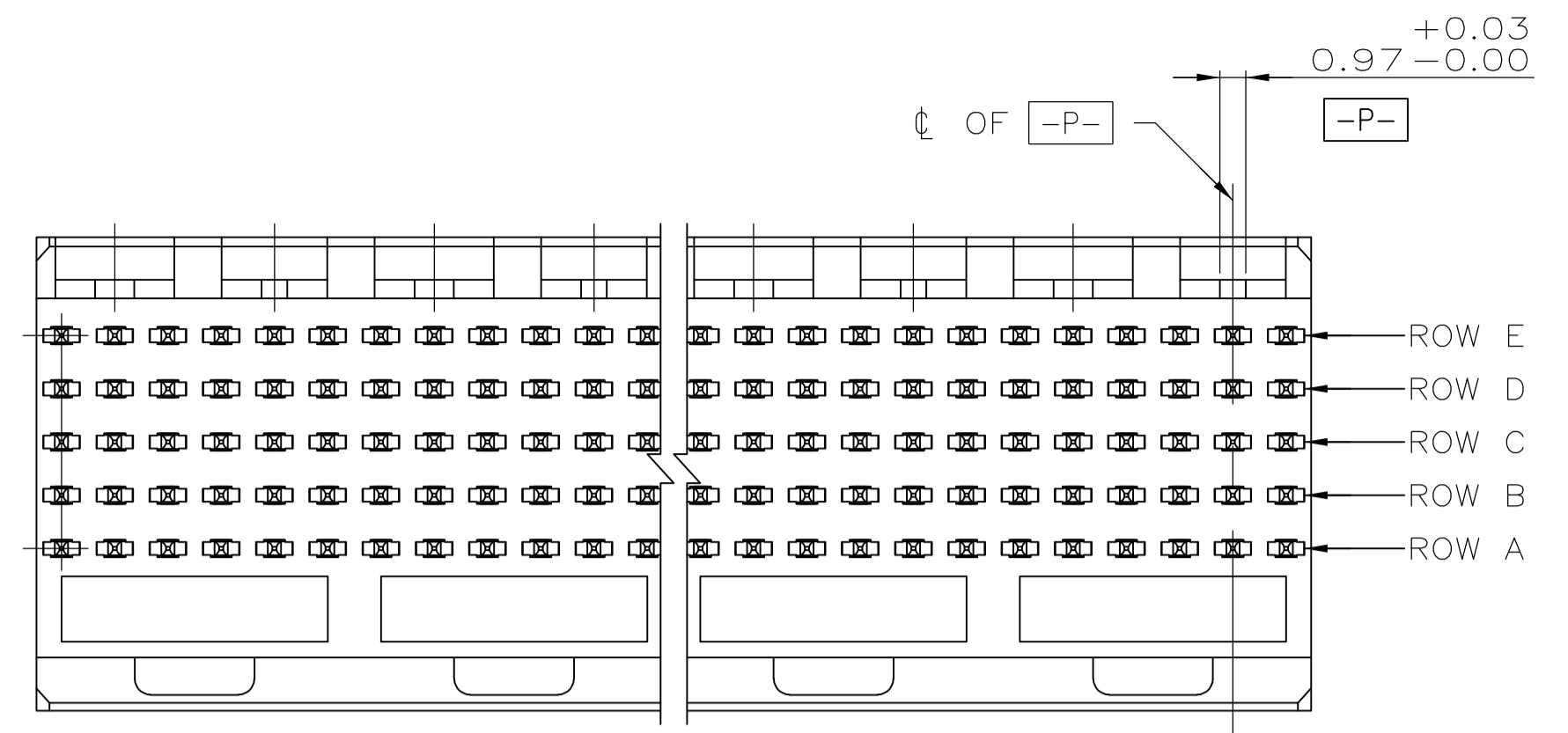
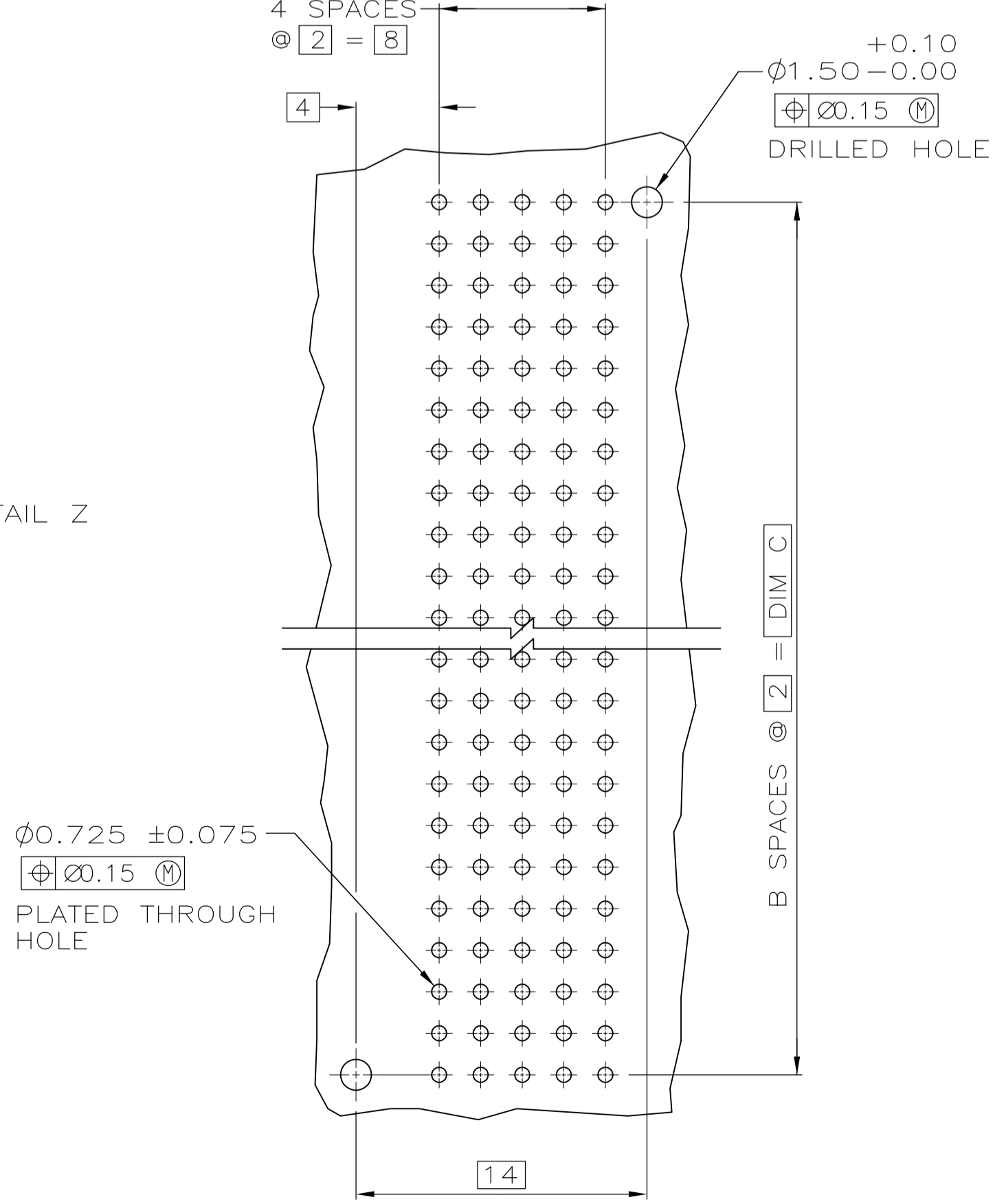
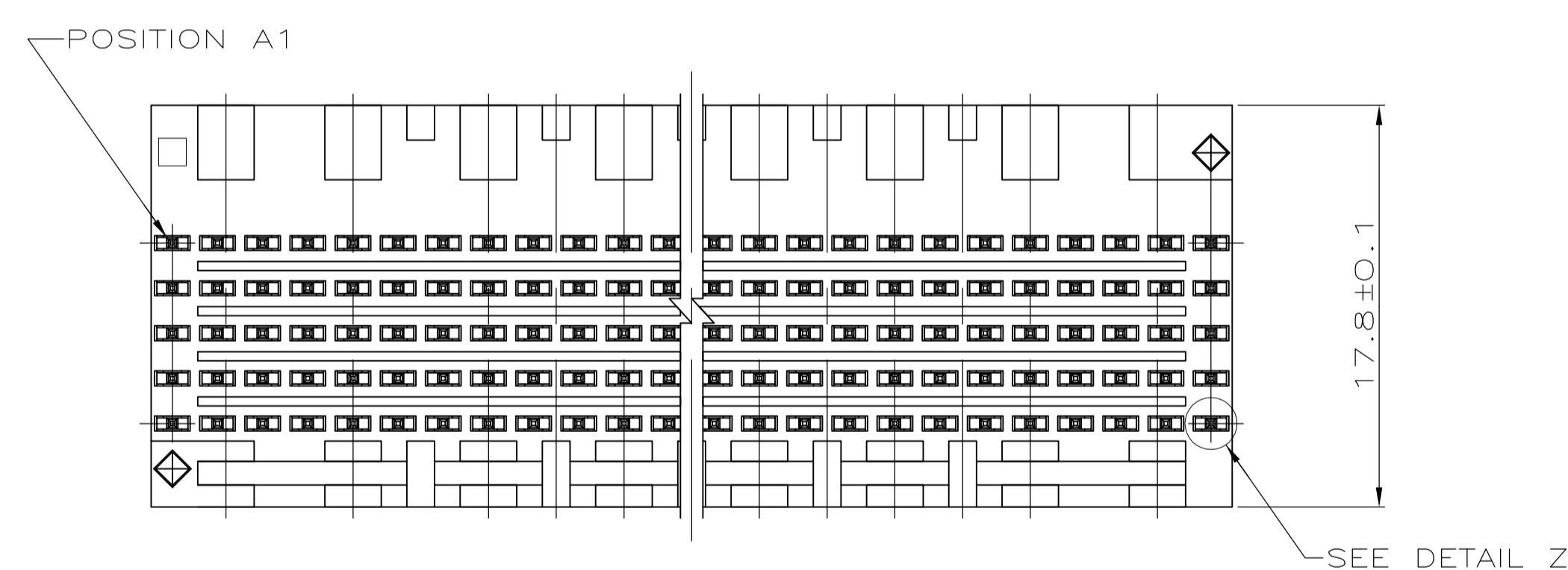
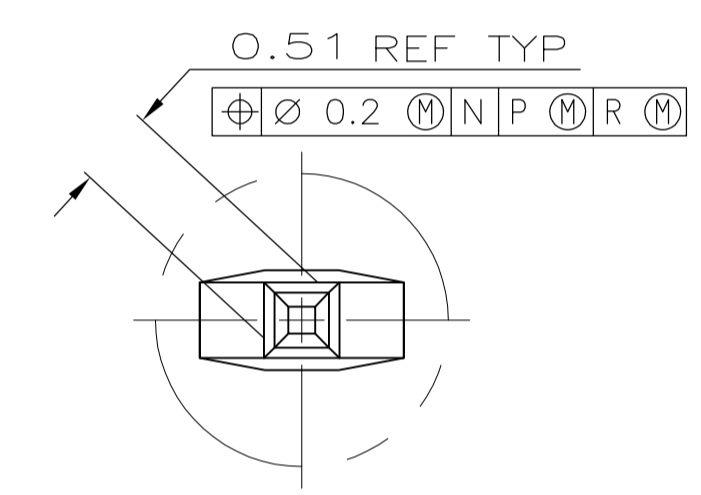


LOC	DIST	REVISIONS			
P	LTR	DESCRIPTION	DATE	DMN	APVD
H1		REVISED PER ECR-08-032448	19DEC2008	S.W	S.Y
J		REVISED PER ECO-15-003999	13MAR15	D.S.F	Y



- 1 HOUSING MATERIAL: LIQUID CRYSTAL POLYMER
COLOR: NATURAL.
- 2 CONTACT MATERIAL: PHOSPHOR BRONZE
- 3 CONTACT FINISH:
UNDERPLATE (ENTIRE CONTACT):
0.00127 MIN NICKEL.
ON MATING SURFACES:
CONFORMS TO ALL TESTING SPECIFIED FOR TELCORDIA
UNCONTROLLED ENVIRONMENT.
ON LEADS
0.00381 MIN TIN-LEAD OVER UNDERPLATE.
LUBRICATION (ENTIRE CONTACT):
SURFACE CONDITIONER PER AMP SPEC 112-1002 AFTER PLATING.
- 4 PART MARKING LOCATED APPROXIMATELY AS SHOWN.
- 5 OBSOLETE PARTS: OBSOLETE CIS STREAMLINING
PER D.RENAUD/D.SINISI



RECOMMENDED CIRCUIT PATTERN (COMPONENT SIDE)

REV	DESCRIPTION	DATE	BY	CHK	DATE	NO OF SIGNAL POSN	PART NUMBER
5	OBSOLETE	130	65	131.88	330	1-223000-1	
5	OBSOLETE	118	59	119.88	300	1-223000-0	
5	OBSOLETE	106	53	107.88	270	223000-9	
5	SUPERSEDED BY 5223000-8	94	47	95.88	240	223000-8	
5	OBSOLETE	82	41	83.88	210	223000-7	
	SUPERSEDED	70	35	71.88	180	223000-6	
		58	29	59.88	150	223000-5	
		46	23	47.88	120	223000-4	
		34	17	35.88	90	223000-3	
	OBSOLETE	22	11	23.88	60	223000-2	
		10	5	11.88	30	223000-1	

THIS DRAWING IS A CONTROLLED DOCUMENT.

DIN R BUCHHEISTER 10/JAN/96
CHK D BAECHTLE 11/JAN/96
APVD D SINISI 11/JAN/96

STE TE Connectivity

ASSEMBLY, PIN, SIGNAL, VERTICAL, Z-PACK 2mm FB, 5 ROW, SOLDER LEAD

SIZE: A1 CASE CODE: 00779 DRAWING NO: 223000

RESTRICTED TO: CUSTOMER DRAWING SCALE: 4:1 SHEET: 1 OF 1 REV: J