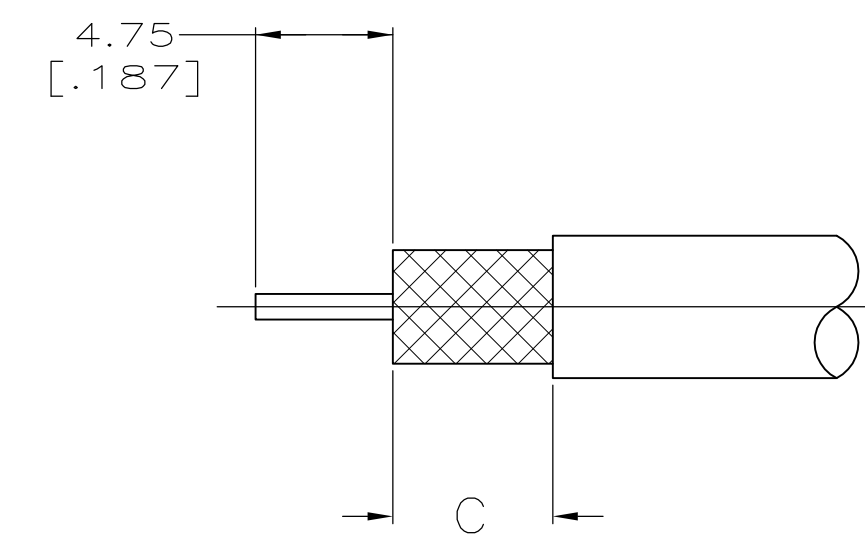
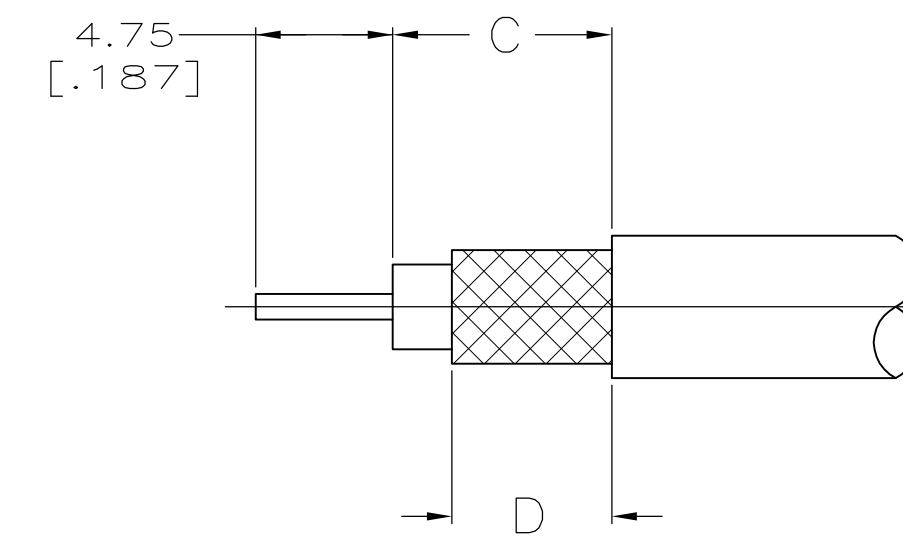
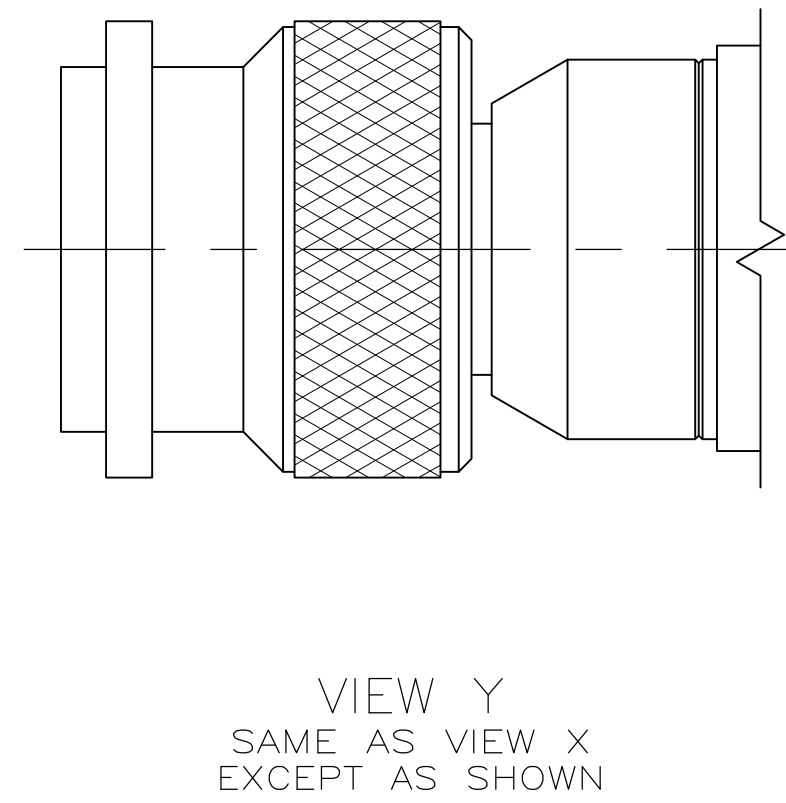
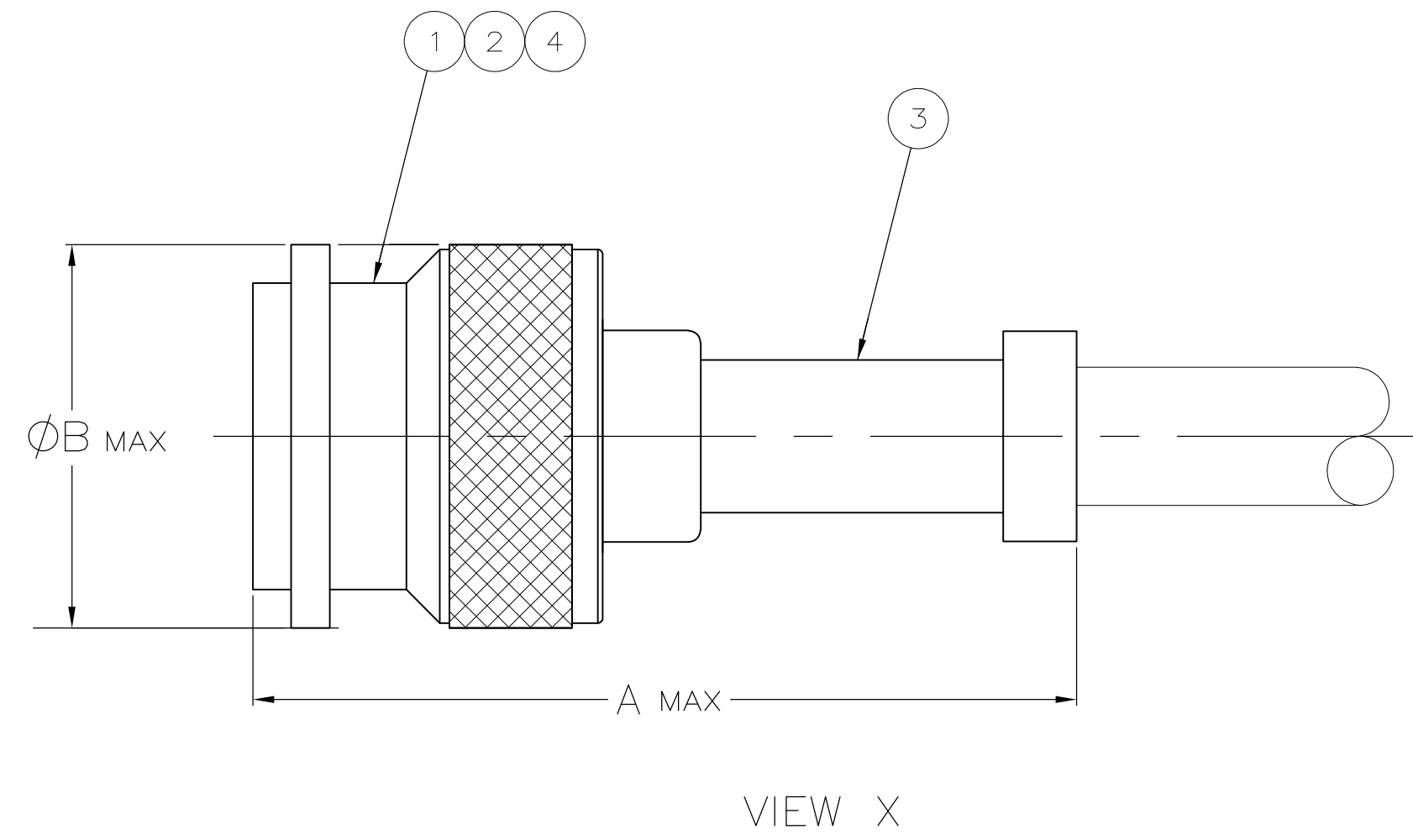


LOC		DIST		REVISIONS			
DF	XO	P	LTR	DESCRIPTION	DATE	OWN	APVD
		U1		REVISED PER ECO-11-005030	11MAR11	RK	HMR
		U2		REVISED PER ECO-12-008922	06SEP12	MGM	WM



RECOMMENDED STRIP LENGTH

- 1 00779 M39012/26B0016 AMP 225550-1 YY WW
- 2 00779 M39012/26B0007 AMP 225550-3 YY WW
- 3. USE INSTRUCTION SHEET 2299-1
- 4 SEE SEPERATE RESTRICTED DRAWING FOR THIS PART NUMBER

OBSOLETE SUPERSEDED BY 225550-6	—	—	—	—	—	—	—	—	—	—	—	—	—	—	—	—	—	7-225550-8
	TIMES AA-5886	2	7-225550-7 AMP	220015-1	—	12.70 [.500]	16.00 [.630]	51.05 [2.010]	332022	1-331987-0	225526-6	225593-2	X	7-225550-7				
SUPERSEDED BY 225550-2	RG-142/U,142A/U & 142B/U	1	7-225550-6 AMP	220045-2	8.71 [.343]	10.31 [.406]	16.26 [.640]	34.93 [1.375]	225592-2	225560-1	225467-6	1663000-1	X	7-225550-6				
	TIMES AA-5887	2	7-225550-5 AMP	220015-1	—	12.70 [.500]	16.00 [.630]	51.97 [2.046]	—	225612-2	225596-4	5-225593-2	X	7-225550-5				
OBSOLETE	RG-59B/U,62B/U & BSX 7002-59/U	1	7-225550-3 AMP	220045-3	5.56 [.219]	7.14 [.281]	16.26 [.640]	34.93 [1.375]	225592-3	225560-3	225467-4	1663000-3	X	7-225550-3				
	RG-58A/U & 58C/U	1	7-225550-2 AMP	220045-2	8.71 [.343]	10.31 [.406]	16.26 [.640]	34.93 [1.375]	225592-1	225560-2	225467-2	1663000-1	X	7-225550-2				
SUPERSEDED BY 225550-7	RG-180/U,180A/U & 180B/U	1	1-225550-9 AMP	220045-2	8.71 [.343]	10.31 [.406]	16.26 [.640]	34.93 [1.375]	225592-1	1-225560-4	1-225467-0	1663000-1	X	1-225550-9				
	MICRODOT 250-4172 & 250-4208	1	1-225550-8 AMP	220015-3	9.53 [.375]	12.70 [.500]	16.26 [.640]	51.59 [2.031]	225908-1	9-225612-0	225596-2	225593-3	X	1-225550-8				
	MICRODOT 250-4171 & 250-4207	1	1-225550-7 AMP	220015-3	9.53 [.375]	12.70 [.500]	16.26 [.640]	51.97 [2.046]	225908-1	225612-1	225596-2	225593-3	X	1-225550-7				
	RG-393/U	2	1-225550-3 AMP	220015-1	—	12.70 [.500]	16.26 [.640]	50.67 [1.995]	332022	9-225490-1	225526-2	225593-2	Y	1-225550-3				
	RG-225/U	2	1-225550-2 AMP	220015-1	—	12.70 [.500]	16.26 [.640]	50.80 [2.000]	332022	9-225612-0	225526-2	225593-2	Y	1-225550-2				
	RG-9/U,9A/U,9B/U & 214/U	2	225550-8 AMP	220015-1	—	12.70 [.500]	16.26 [.640]	50.80 [2.000]	332022	9-225612-0	225596-2	225593-2	X	225550-8				
	RG-8/U,8A/U & 213/U	1	225550-7 AMP	220015-1	9.53 [.375]	12.70 [.500]	16.26 [.640]	50.80 [2.000]	332022	1-331987-3	225596-2	225593-2	Y	225550-7				
	RG-142/U,142A/U,142B/U & 400/U	1	00779 M39012/26B0006 AMP YY WW	220045-2	8.71 [.343]	10.31 [.406]	16.26 [.640]	34.93 [1.375]	225592-2	9-225560-4	1-225467-3	1663000-1	X	225550-6				
	RG-59B/U,62B/U & BSX 7002-59/U	1	2	220045-3	5.56 [.219]	7.14 [.281]	16.26 [.640]	34.93 [1.375]	225592-3	225560-3	1-225467-2	1663000-3	X	225550-3				
	RG-58A/U & 58C/U	1	00779 M39012/26B0005 AMP YY WW	220045-2	8.71 [.343]	10.31 [.406]	16.26 [.640]	34.93 [1.375]	225592-1	9-225560-5	1-225467-1	1663000-1	X	225550-2				
RG-55A/U & 223/U	1	1	220045-2	8.71 [.343]	10.31 [.406]	16.26 [.640]	34.93 [1.375]	225592-2	9-225560-4	1-225467-1	1663000-1	X	225550-1					
	CABLE SIZE	FIG	STAMPING	CRIMP TOOL	D	C	B	A	4 GASKET QTY=1	3 FERRULE QTY=1	2 CONTACT QTY=1	1 PLUG ASSY QTY=1	VIEW	PART NUMBER				

THIS DRAWING IS A CONTROLLED DOCUMENT.

DIMENSIONS: mm [INCHES]	0 PLC ± — 2 PLC ± — 3 PLC ± 0.41 [016] 4 PLC ± — ANGLES ± —	TOLERANCES, UNLESS OTHERWISE SPECIFIED: —	OWN B. SCOTT 3-9-91	CHK J. LIPPERT 3-11-91	APVD M. PHILLIPS 4-2-91	NAME PLUG, WEATHERPROOF, SERIES TNC	SIZE A1	CAGE CODE 00779	DRAWING NO 225550	RESTRICTED TO —	
MATERIAL —	FINISH —	—	CUSTOMER DRAWING			SCALE 4:1	SHEET 1 OF 1	REV U2	—		