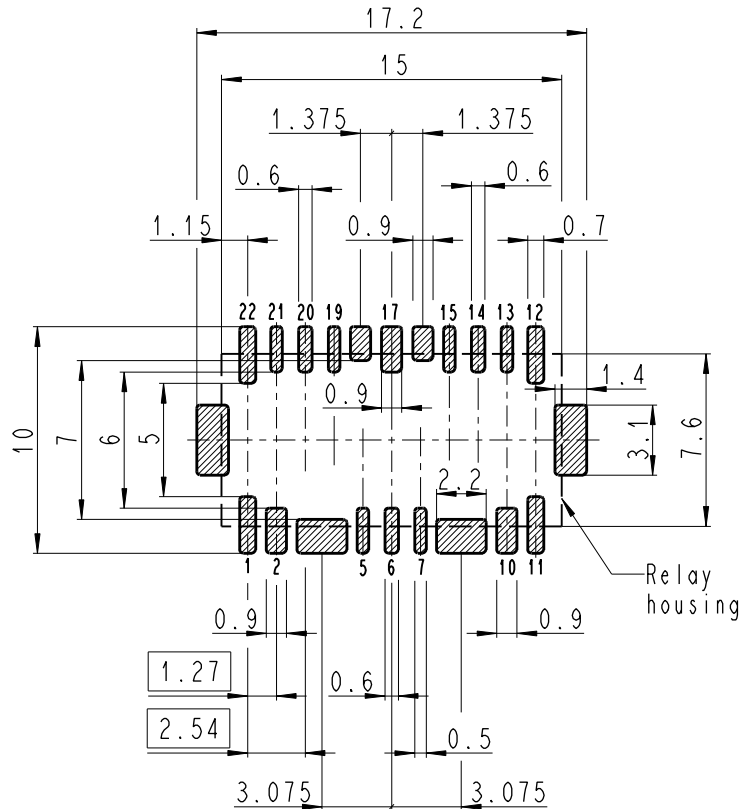
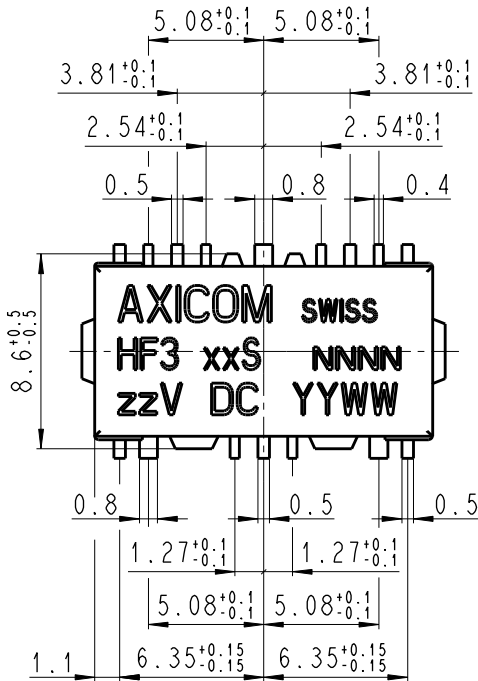
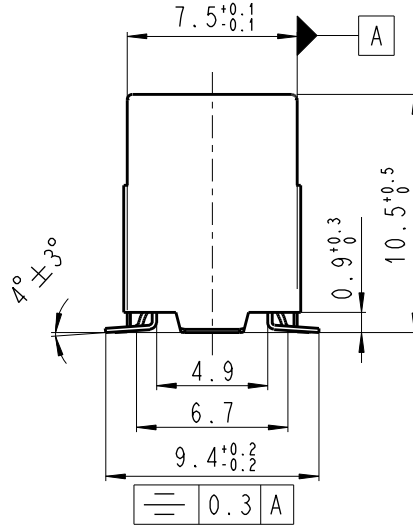
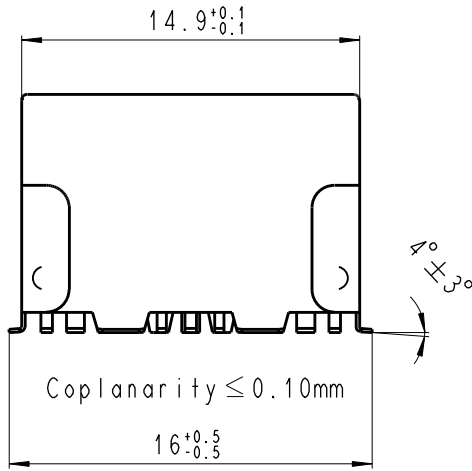


LOC	DIST	REVISIONS					
		P	LTR	DESCRIPTION	DATE	DWN	APVD
HJ	-		C	New Coplanarity	21JUL2009	UKo	HD
			D	New metal cover	23SEP2009	UKo	HD
			E	New Coplanarity, Solder Pad Layout	15JAN2010	UKo	HD
			F	Printing	09JUL2010	UKo	HD



XX = Relay type
zz = nominal voltage
YYWW = Date code
NNNN = Lot number

2006
RELEASED FOR PUBLICATION
THIS DRAWING IS UNPUBLISHED.
© COPYRIGHT 2006 BY TYCO ELECTRONICS CORPORATION. ALL RIGHTS RESERVED.

DIMENSIONS: mm		DWN UKo 9193	06Nov2006	MATERIAL	FINISH	
TOLERANCES UNLESS OTHERWISE SPECIFIED: DIN 7168-m		CHK HD 9121	06Nov2006	Tyco Electronics Tyco Electronics Logistics AG Werk Axicom Au, CH-8804 Au ZH		
		APVD HD 9121	06Nov2006			
0 PLC ±-		PRODUCT SPEC		NAME		
1 PLC ±-		-		HF3-Relay metal cover 75Ω		
2 PLC ±-		APPLICATION SPEC		Dimensions		
3 PLC ±-		-		SIZE	CAGE CODE	DRAWING NO
4 PLC ±-		-		A 4	00779	©-1462050-3
ANGLES ±1°		WEIGHT		RESTRICTED TO		
-		-		-		
CUSTOMER DRAWING				SCALE	SHEET	REV
-				3:1	1 OF 1	F