

5

4

3

2

1

DRAWING NO.
32-6198UL - CUST

REVISIONS

01 OFFICIAL RELEASE

03-20-09 T W B Y T

Description: Cat6 RJ45 with load bar UIL

Part No: 32-6198UL

Application: Modular Plug

Crimp Tool: N/A

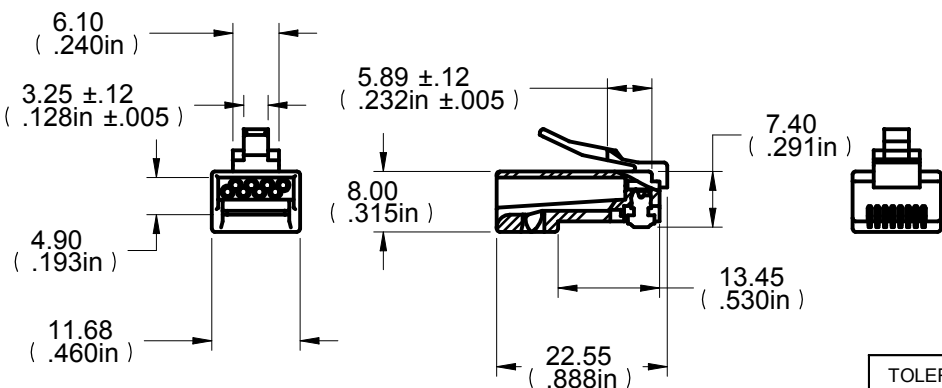
Insulation Resistance: 1000 Ohms

Frequency Range: N/A

Material: Housing Polycarbonate
Contact Phosphor bronze Gold plated
Insert bar Polycarbonate

RoHS Compliance: Yes

Technical Detail: N/A



DIM OUTLINE

CUSTOMER COPY

TOLERANCE UNLESS OTHERWISE SPECIFIED		DRAWN BY TERRY.W	DATE 03-20-09
DECIMALS	mm	CHECKED BY BETTY.YU	DATE 03-20-09
X	± 0.5	APPROVED BY THOMAS	DATE 03-20-09
X.X	± 0.3	U/M	mm
X.XX	± 0.1		
ANGLES	± 0.5°		



TITLE
CAT6 RJ45 WITH LOAD BAR,UL

THIS DRAWING WAS PRODUCED BY COMPUTER,
DO NOT SCALE DRAWING OR UPDATE MANUALLY.

SHEET 1 OF 1	DRAWING NO. 32-6198UL -CUST	SIZE A
-----------------	--------------------------------	-----------

5

4

3

2

1