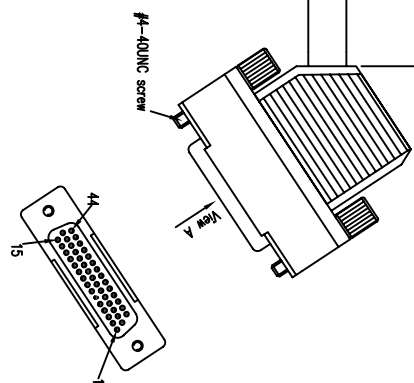
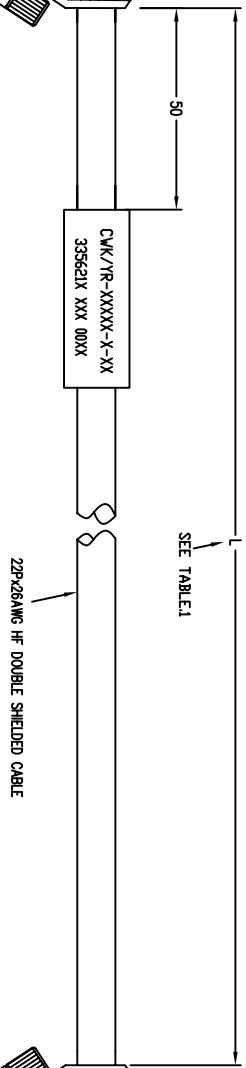


HD-D-sub 44P MALE CONNECTOR



HD-D-sub 44P MALE CONNECTOR



WIRING TABLE

PAIR NO.	C1	C2	PAIR NO.	C1	C2
1	1	1	12	23	23
2	2	2	13	24	24
3	3	3	14	25	25
4	4	4	15	26	26
5	5	5	16	27	27
6	6	6	17	28	28
7	7	7	18	29	29
8	8	8	19	30	30
9	9	9	20	31	31
10	10	10	21	32	32
11	11	11	22	33	33
12	12	12	23	34	34
13	13	13	24	35	35
14	14	14	25	36	36
15	15	15	26	37	37
16	16	16	27	38	38
17	17	17	28	39	39
18	18	18	29	40	40
19	19	19	30	41	41
20	20	20	31	42	42
21	21	21	32	43	43
22	22	22	33	44	44

TABLE 1

HARTING P/N	Length(m)
33562130500023	500
33562131000024	1000
33562131500022	1500
33562132000025	2000
33562133000026	5000
33562121000027	10000

- NOTES:
- 1.) CABLE MUST BE PERFORMED CONTINUITY TEST AND HI-POT TEST (300VDC);
  - 2.) OPERATING TEMPERATURE = 0TO +80C
  - 3.) WHITE LABEL CONTENT:

CWK/R-R-XXXXX-X-XX  
HARTING P/N

- 4.) THE CABLE SHOULD BE PACKED BY A PLASTIC BAG AND STICK THE LABEL WITH P/N/CONTENT ON IT, THEN PUT IT INTO THE CARTON( THE QTY ACCORDING TO ACTUAL CONDITION).
- 5.) EXPORT CARTON SHOULD BE STICKED THE LABEL WITH P/N AND QTY CONTENT.



Techn Character.

Free size tolerances

Mod.	Doc.t.	Name	Dat.	Rev.	Scale
		ZHAIHA HARTING LIMITED	03/02/09	Bruce.T	
			Imp.		
			Stand		
<b>TB 33 56 0004. 00.</b>					
Page /					