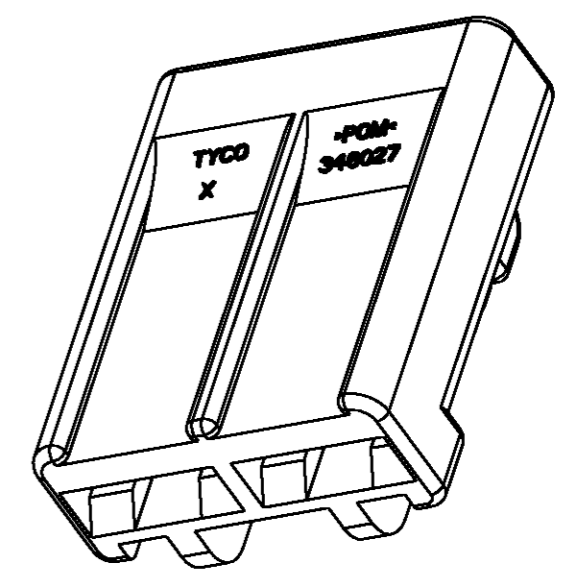
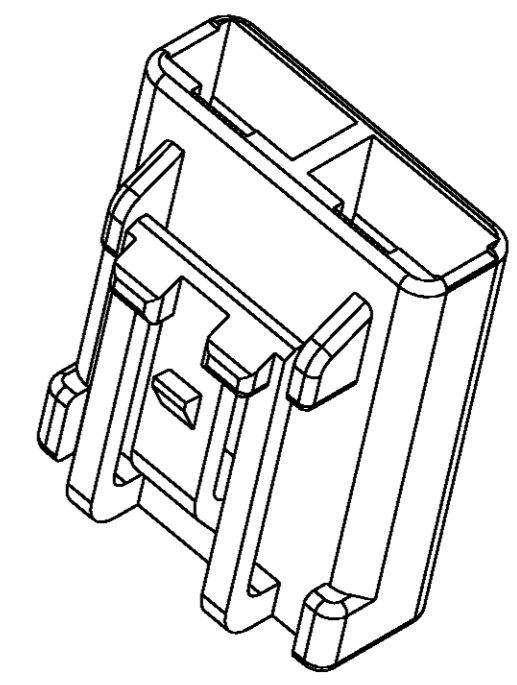
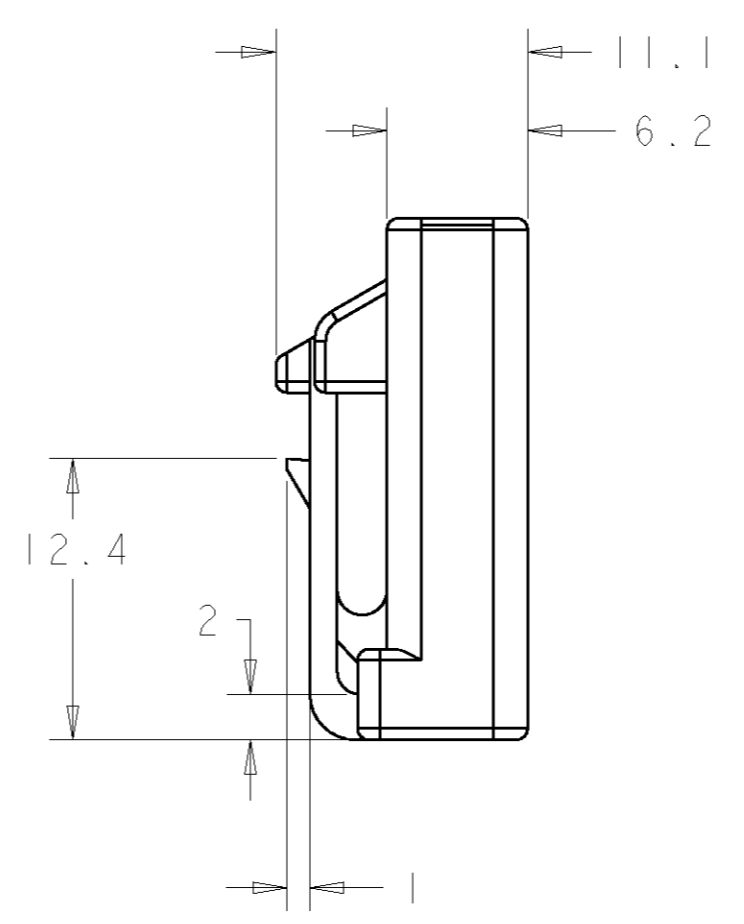
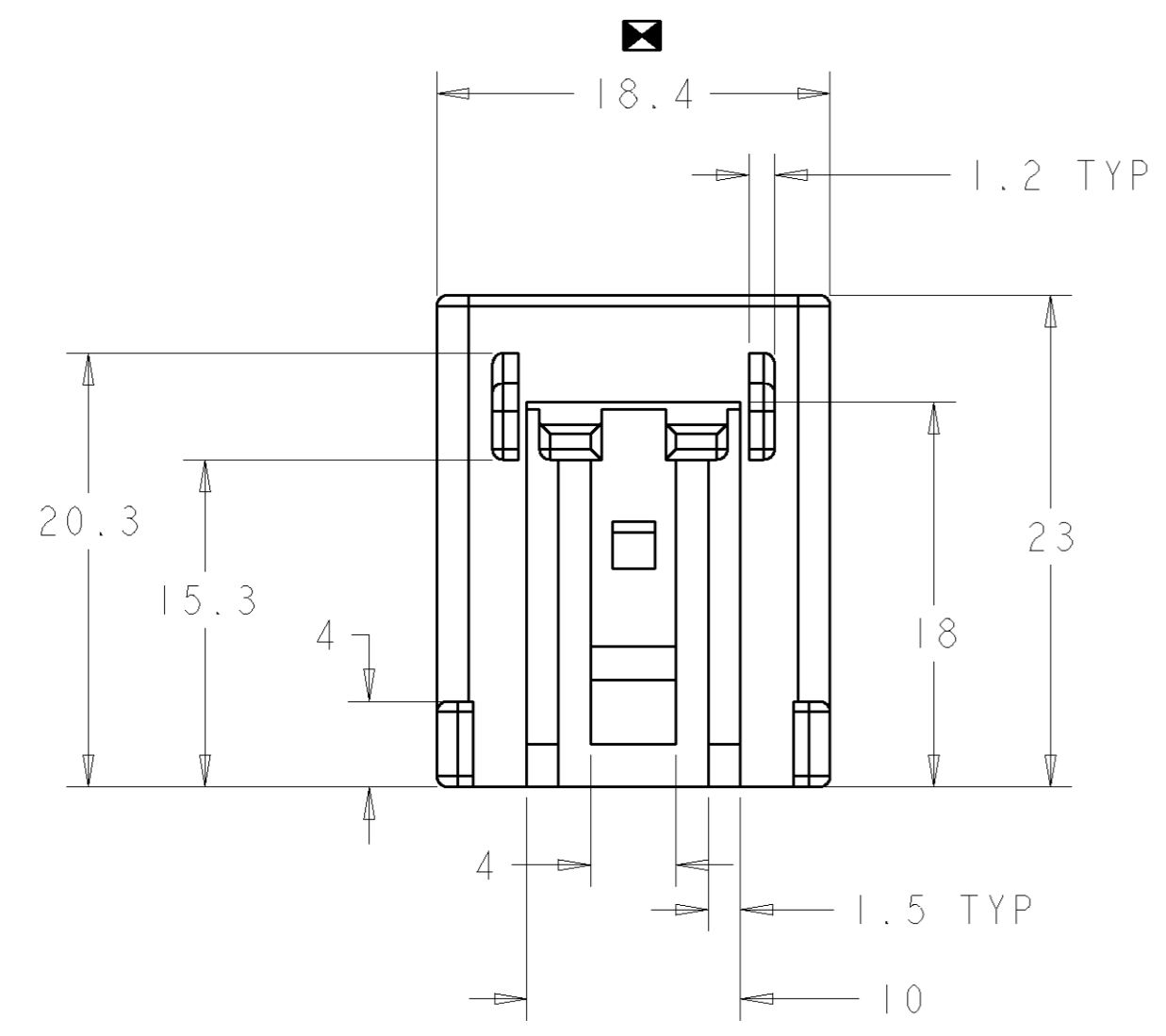
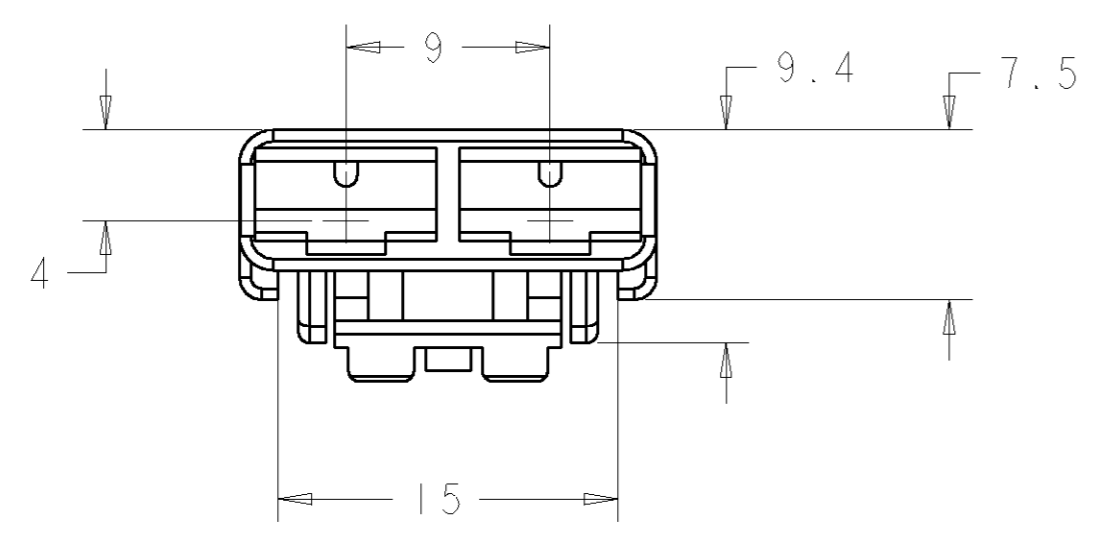


THIS DRAWING IS UNPUBLISHED. RELEASED FOR PUBLICATION 20
 © COPYRIGHT BY ALL RIGHTS RESERVED.

LOC		DIST		REVISIONS			
P	LTR	DESCRIPTION	DATE	DWN	APVD		
E	B	E1	REVISD PER ECO-11-005150	27APR11	RK	HMR	



NOTES:

1. THIS HOUSING ACCOMODATES TWO FASTIN-FASTON RECEPTACLES **TE CONNECTIVITY** PART NO 42100. FORD PART NO SL 100.65
2. THIS HOUSING MATES WITH FUEL PUMP IN-MOULDED TAB HEADER ASSEMBLY - FORD PART NO FIDU-9350-AA
3. DENOTES CONTROL DIMENSION FOR SPC PURPOSES

YELLOW	HOSTAFORM C13031 XF	346027-2
BLACK	HOSTAFORM C9021	346027-1
COLOUR	MATERIAL	PART NO

DIMENSIONS: mm	TOLERANCES UNLESS OTHERWISE SPECIFIED: 0 PLC ± 1 PLC ±0.5 2 PLC ±0.5 3 PLC ±0.5 4 PLC ± ANGLES ±2 FINISH	DWN M. GREENER 06AUG2004		NAME 2 WAY RECEPTACLE HOUSING FASTIN FASTON
		CHK M. HARRIS 06AUG2004		
MATERIAL SEE TABLE		APVD B. BAKER 06AUG2004	SIZE A2	CAGE CODE 00779
		PRODUCT SPEC	DRAWING NO 346027	RESTRICTED TO
		APPLICATION SPEC	SCALE 3:1	SHEET 1
		WEIGHT	REV E1	
		CUSTOMER DRAWING		