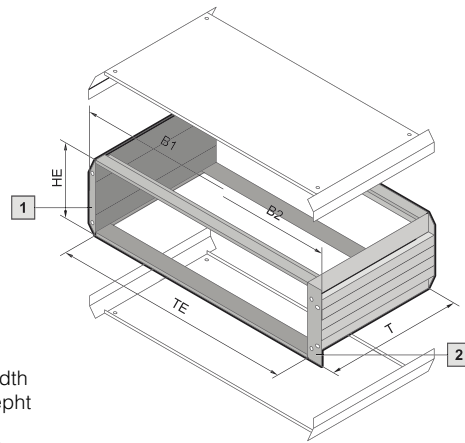
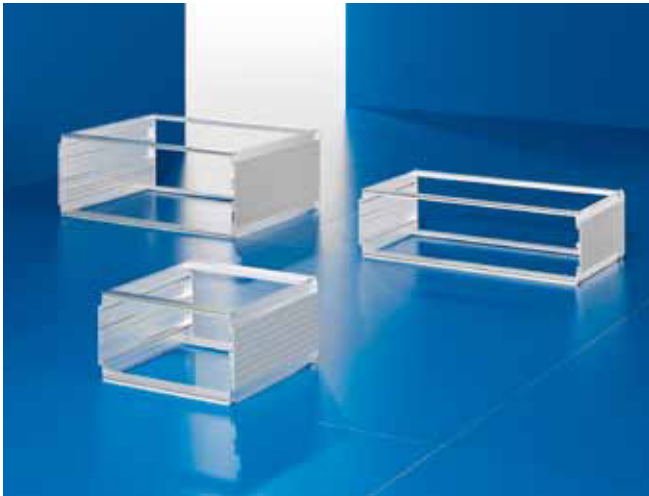


Ripac Vario-Module 3 U



B = Width
T = Depth
HE = U
TE = HP

Technical specifications:

May be used as a rack-mount enclosure or instrument case. External dimensions to IEC 60 297-1 for installation in 482.6 mm (19") racks. Installation dimensions for board type plug-in assemblies to IEC 60 297-3-101.

Material/Surface finish:

Side panels: Extruded aluminum section, spray finished in RAL 7035
Horizontal rails: Extruded aluminum section, clear-chromated
Corner trims: Die-cast zinc, spray-finished in RAL 7035
Side trims:

Extruded aluminum section, spray-finished in RAL 7035

Protection category:

IP 40 for non-vented version.

Supply includes:

2 side panels,
4 horizontal rails,
4 threaded inserts,
2 corner trims,
assembly parts.

1 Equipped as an instrument case

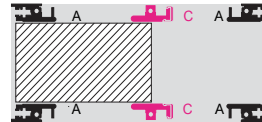
2 Equipped as a rack-mount unit

Note:

Corner trims, mounting flanges and top and bottom covers must be ordered separately.

Horizontal rail configuration

Horizontal rails for further configuration must be ordered separately, see page 100 – 101.



3 U

Ripac Vario-Module	Packs of	3 U							Page
Installation width (TE)		42	42	63	63	84	84	84	
Width (B1) mm		235.6	235.6	342.3	342.3	449.0	449.0	449.0	
Width (B2) mm		251.6	251.6	358.3	358.3	465.1	465.1	465.1	
Depth (T) mm		250.4	310.4	250.4	310.4	250.4	310.4	370.4	
Order No. VM Basic enclosure	1	3982.040	3982.070	3982.050	3982.080	3982.060	3982.090	3982.100	
Also required									
Top covers									
– with vent holes	1	3982.941	3982.951	3982.942	3982.952	3982.940	3982.950	3982.960	77
– without vent holes	1	3982.901	3982.911	3982.902	3982.912	3982.900	3982.910	3982.920	77
Bottom covers									
– with vent holes	1	3982.741	3982.751	3982.742	3982.752	3982.740	3982.750	3982.760	77
– without vent holes	1	3982.701	3982.711	3982.702	3982.712	3982.700	3982.710	3982.720	77
Front corner trims for assembly as instrument case	2	3981.310	3981.310	3981.310	3981.310	3981.310	3981.310	3981.310	78
Flanges for configuration as rack-mount									
– without handle holes	2	3981.210	3981.210	3981.210	3981.210	3981.210	3981.210	3981.210	78
– with handle holes	2	3981.260	3981.260	3981.260	3981.260	3981.260	3981.260	3981.260	78
Accessories									
Front/rear panels		see page 135 – 150							
Carrying handles	2	3981.350	3981.360	3981.350	3981.360	3981.350	3981.360	3981.370	78
Front handles ¹⁾	2	3636.010	3636.010	3636.010	3636.010	3636.010	3636.010	3636.010	104
Rear adjustable feet	4	3901.000	3901.000	3901.000	3901.000	3901.000	3901.000	3901.000	79

¹⁾ Only in conjunction with mounting flanges with handle holes.