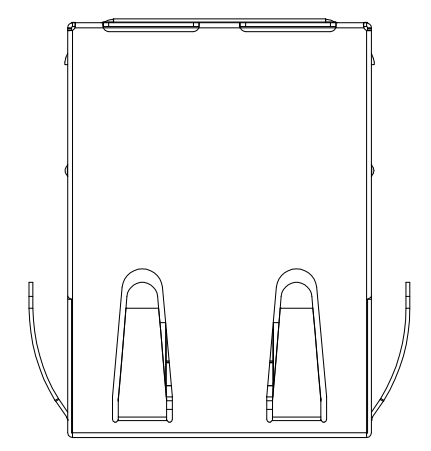
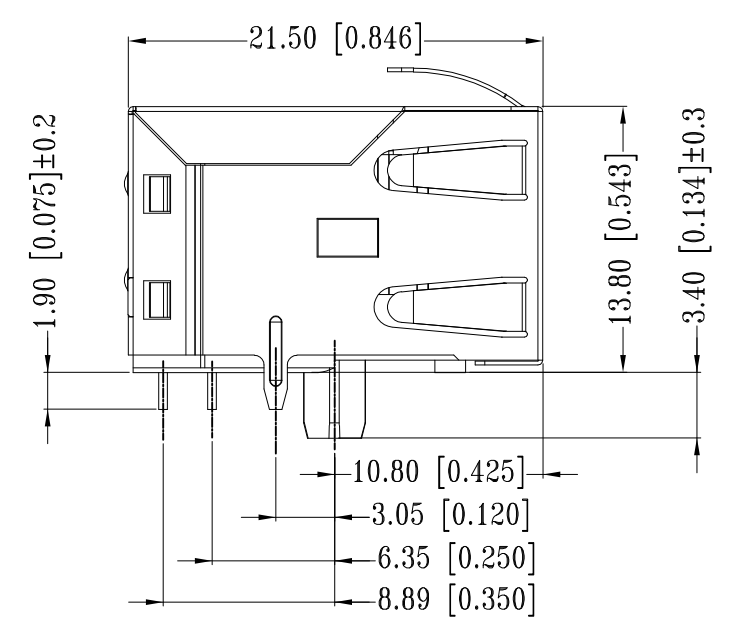
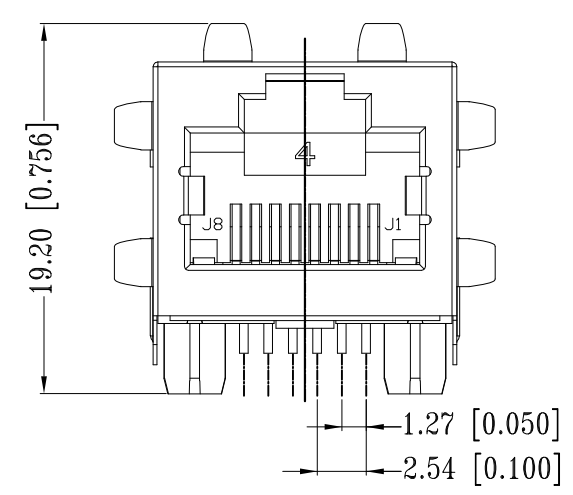
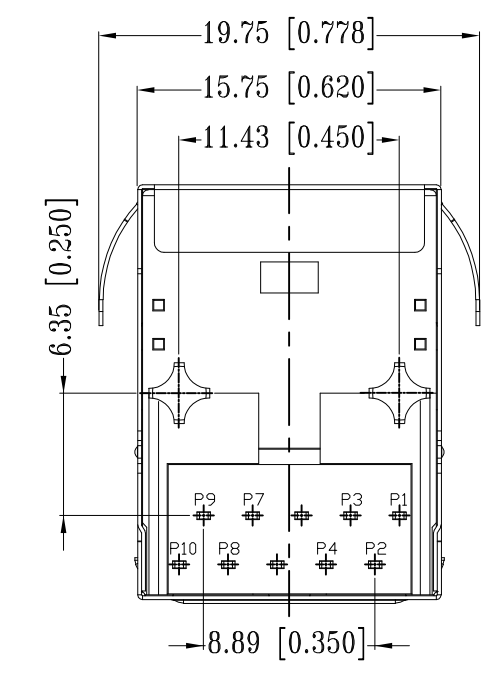


THIS DRAWING IS UNPUBLISHED
 © COPYRIGHT 2013 By TE CONNECTIVITY
 RELEASED FOR PUBLICATION
 ALL RIGHTS RESERVED.
 - ,2017.

REVISIONS					
P	LTR	DESCRIPTION	DATE	DWN	APVD
	A1	NEW DRAWING	23DEC2016	GCM	MSZ

D
C
B
A

D
C
B
A



- 1 CONNECTOR MATERIAL:
 HOUSING: LCP BLACK UL94 V-0
 INSERT: LCP BLACK UL94 V-0
 SHIELD: BRASS
 SHIELD PLATING: NICKEL
 CONTACT: COPPER ALLOY
 CONTACT PLATING: SELECTIVE GOLD, MIN. 0.76 μm (30 μ inch) IN CONTACT AREA
 OVER MIN. 1.27 μm (50 μ inch) NICKEL
 SOLDER PIN PLATING: 3.05 μm (120 μ inch) TIN OVER 1.02 μm (40 μ inch) NICKEL OVER ALL
 SHIELDING PIN PLATING: NICKEL
- 2 PIN NOT ELECTRICALLY CONNECTED MAYBE OMITTED SEE ELECTRICAL CIRCUIT DIAGRAM FOR OMITTED PINS
- 3 RJ45 CAVITIES CONFORM TO FCC RULES AND REGULATION PART 68.
- 4 THE PART IS RECOMMENDED FOR REFLOW SOLDERING PROCESS PEAK SOLDERING:
 TEMPERATURE MAX. 260° C , MAX. 10 s
- 5 OPERATING TEMPERATURE T = -40° C TO +85° C.
- 6 STORAGE TEMPERATURE T = -40° C TO +85° C.
- 7 UNLESS OTHERWISE SPECIFIED, SEE TABLE FOR ALL DIMENSIONS TOLERANCES
- 8 JACK CONFIGURATION: 1 x 1
 TAB DIRECTION: UP
- 9 PACKAGING: TRAY ACCORDING TO PACKAGING SPECIFICATION 107-18116

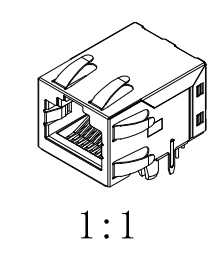


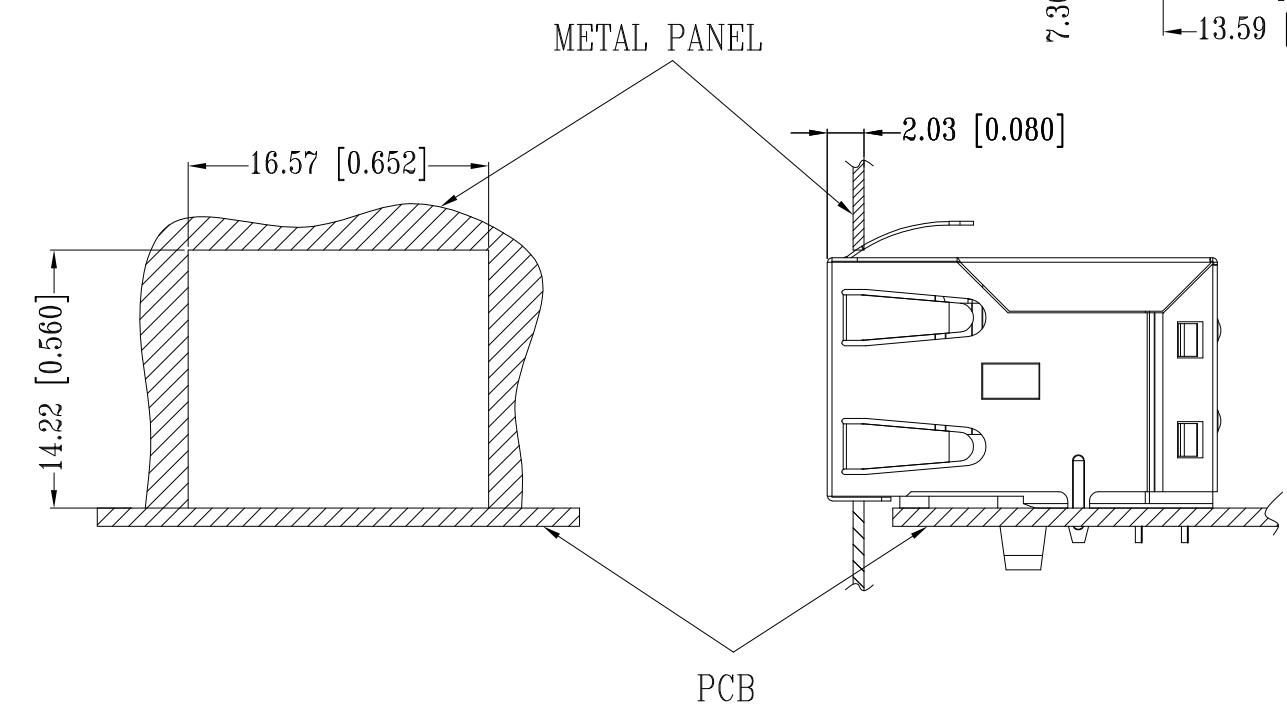
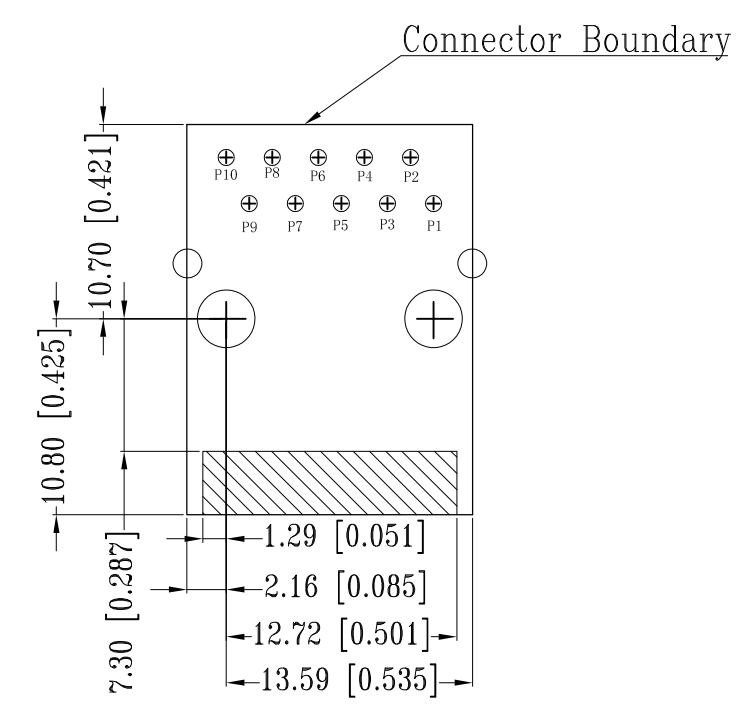
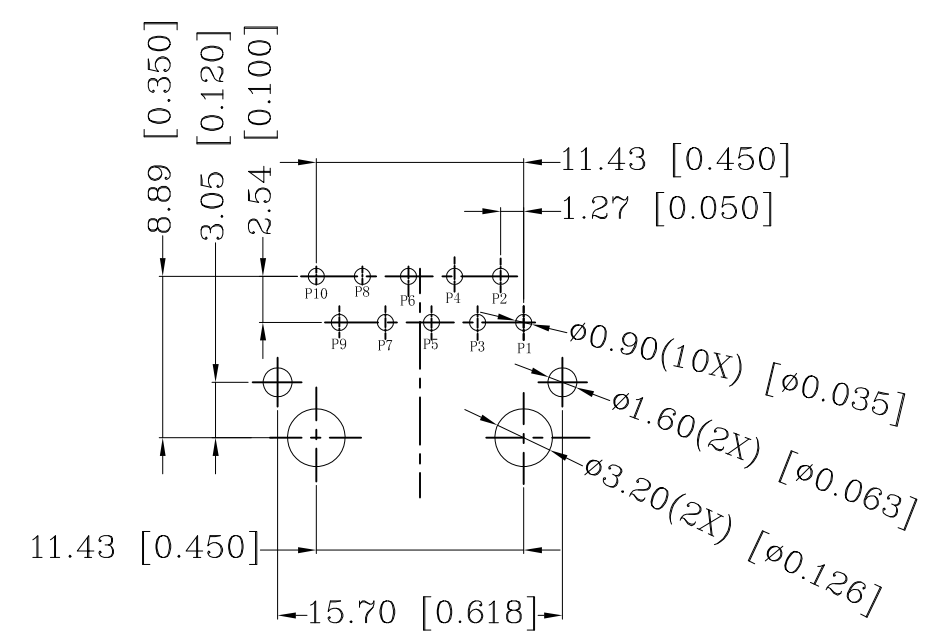
TABLE OF TOLERANCE (mm)	
RANGE	TOLERANCE
0-10	±0.15
>10-40	±0.25
>40-70	±0.30
>70	±0.40

THIS DRAWING IS A CONTROLLED DOCUMENT.		DWN 16AUG2016 GANESH C M	TE Connectivity				
DIMENSIONS: mm [INCHES]		CHK 16AUG2016 FRANZ MUELLER				NAME RJ45 JACK INT.MAG. 1Gb 1x1 INV.	
TOLERANCES UNLESS OTHERWISE SPECIFIED:		APVD 16AUG2016 MARTIN SZELAG	PRODUCT SPEC 108-94552				
0 PLC ± - 1 PLC ± - 2 PLC ± - 3 PLC ± - 4 PLC ± - ANGLES ± -		APPLICATION SPEC 114-94447	SIZE	CAGE CODE	DRAWING NO	RESTRICTED TO	
MATERIAL		FINISH	A3	00779	C-5-2301994-5	-	
1		1	CUSTOMER DRAWING		SCALE 3:1	SHEET 1 OF 3	REV A1

THIS DRAWING IS UNPUBLISHED
 © COPYRIGHT 2013 By TE CONNECTIVITY
 RELEASED FOR PUBLICATION
 ALL RIGHTS RESERVED.
 - ,2017.

REVISIONS					
P	LTR	DESCRIPTION	DATE	DWN	APVD
-	-	SEE SHEET 1	-	-	-

SUGGESTED PCB LAYOUT



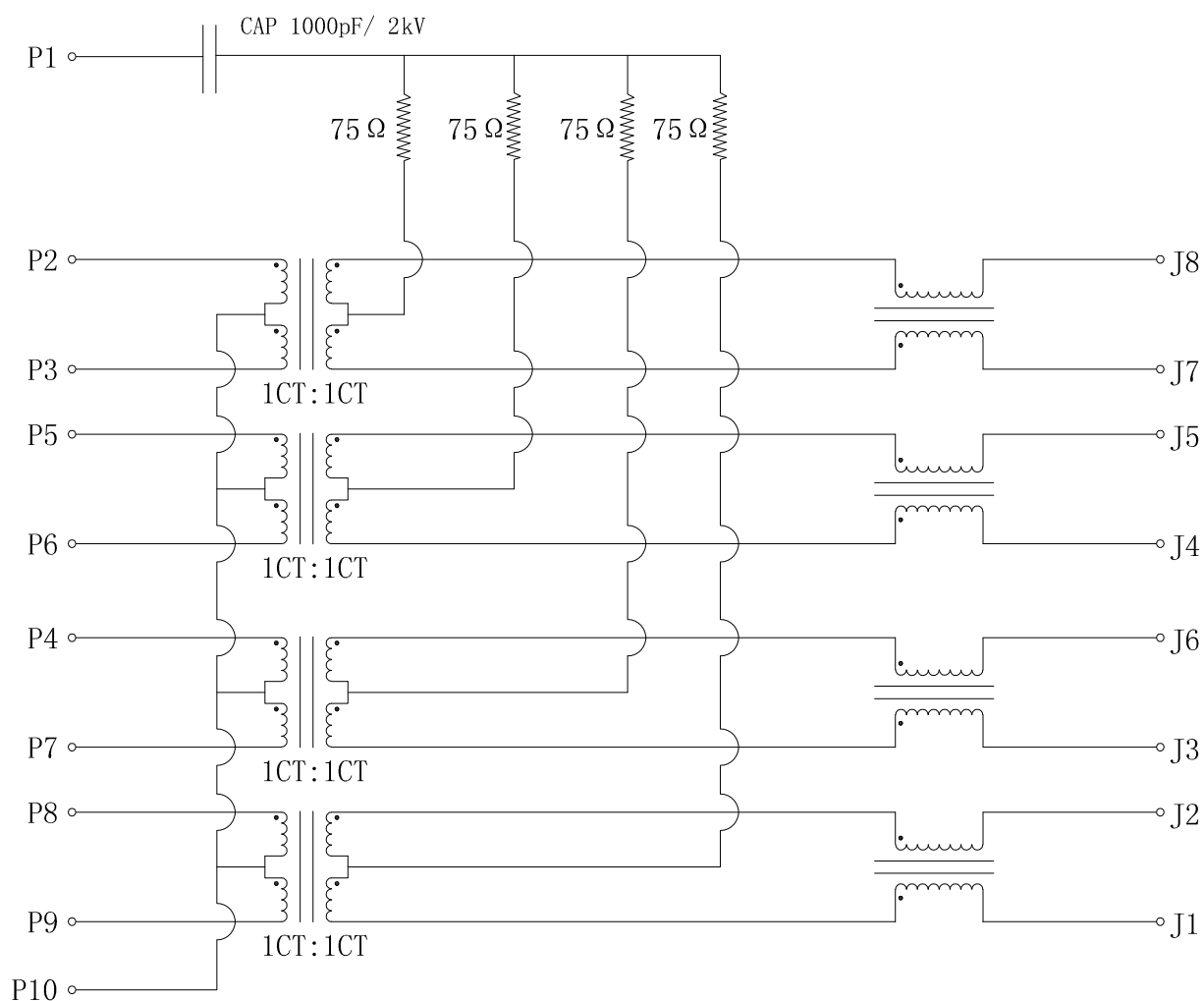
UNIT: mm / inch
 TOLERANCES: ±0.10 / 0.004

THIS DRAWING IS A CONTROLLED DOCUMENT.		DWN GANESH C M 16AUG2016	TE Connectivity NAME RJ45 JACK INT.MAG. 1Gb 1x1 INV.		
DIMENSIONS: mm [INCHES]		CHK FRANZ MUELLER 16AUG2016			
TOLERANCES UNLESS OTHERWISE SPECIFIED:		APVD MARTIN SZELAG 16AUG2016	PRODUCT SPEC		
0 PLC ± - 1 PLC ± - 2 PLC ± - 3 PLC ± - 4 PLC ± - ANGLES ± -		 APPLICATION SPEC 108-94552	RESTRICTED TO		
MATERIAL		WEIGHT	SIZE	CAGE CODE	DRAWING NO
 FINISH 		114-94447	A3	00779	C-5-2301994-5
CUSTOMER DRAWING			SCALE	SHEET	REV
			3:1	2 OF 3	A1

REVISIONS

P	LTR	DESCRIPTION	DATE	DWN	APVD
-	-	SEE SHEET 1	-	-	-

ELECTRICAL CIRCUIT DIAGRAM



- 1.0 Turn Ratio @100kHz: (P9~P8):(J1~J2) = 1:1±2%
(P7~P4):(J3~J6) = 1:1±2%
(P6~P5):(J4~J5) = 1:1±2%
(P3~P2):(J7~J8) = 1:1±2%
- 2.0 Primary Inductance: 350µH MIN. @100kHz, 0.1V 8mA DC BIAS
- 3.0 DC Resistance: 1.2 OHMS MAX.
- 4.0 Insertion Loss: 1-100MHz -1.0dB MAX.
100-125MHz -1.2dB MAX.
- 5.0 Return Loss: 1-40MHz -16dB MIN.
40-60MHz -12dB MIN.
60-80MHz -10dB MIN.
80-100MHz -8dB MIN.
- 6.0 CROSS TALK: 1-100MHz -30dB MIN.
- 7.0 COMMON TO COMMON MODE ATTENUATION: 1-100MHz -30dB MIN.
- 8.0 Isolation: PHY Side to Line Side: 2250VDC

5-2301994-5
WWYY-xxxx

STE

FCC

CONTROL CODE
DATE CODE
"0213"

YY-YEAR
WW-WEEK

THIS DRAWING IS A CONTROLLED DOCUMENT.		DWN GANESH C M 16AUG2016	STE TE Connectivity		
DIMENSIONS: mm [INCHES]		CHK FRANZ MUELLER 16AUG2016			
TOLERANCES UNLESS OTHERWISE SPECIFIED:		APVD MARTIN SZELAG 16AUG2016	NAME RJ45 JACK INT.MAG. 1Gb 1x1 INV.		
0 PLC ± - 1 PLC ± - 2 PLC ± - 3 PLC ± - 4 PLC ± - ANGLES ± -		PRODUCT SPEC 108-94552	RESTRICTED TO		
MATERIAL 1		FINISH 1	APPLICATION SPEC 114-94447	SIZE A3	CAGE CODE 00779
CUSTOMER DRAWING			DRAWING NO C-5-2301994-5	SCALE 3:1	SHEET 3 OF 3
			WEIGHT	REV A1	