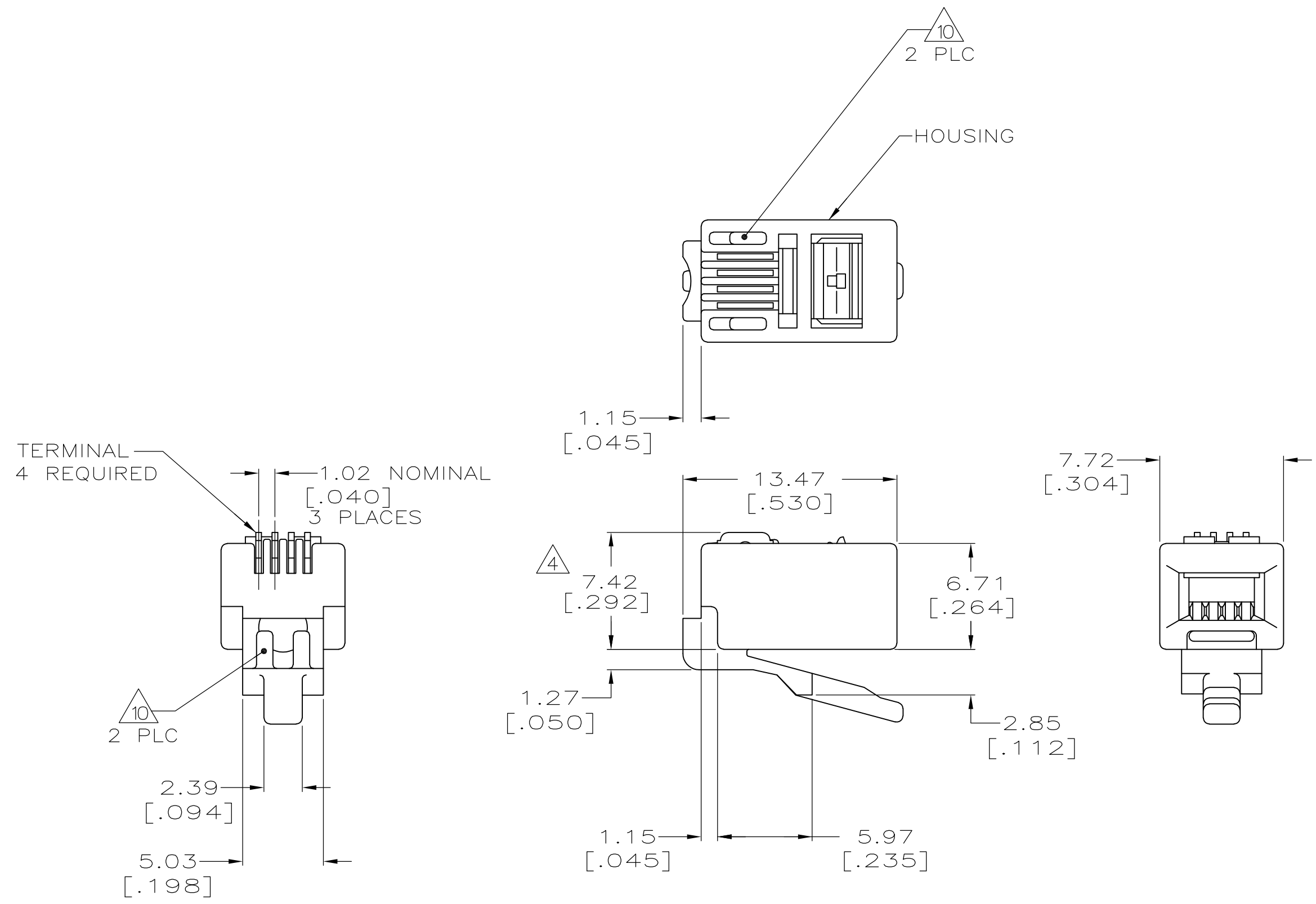


THIS DRAWING IS UNPUBLISHED. RELEASED FOR PUBLICATION
 © COPYRIGHT - By - ALL RIGHTS RESERVED.

LOC	DIST	REVISIONS			
P	LTR	DESCRIPTION	DATE	OWN	APVD
HM	00	AA	REV PER ECO-12-012918	09JUL2012	JM JG



- 1 DIMENSIONS ARE MAXIMUM UNLESS OTHERWISE SPECIFIED.
- 2 MATERIAL: HOUSING—POLYCARBONATE,CLEAR. TERMINAL—0.36[.014] THICK PHOSPHOR BRONZE PLATED WITH 1.27 μ m[.000050] THICK GOLD IN LOCALIZED GOLD PLATE AREA, OVER 2.54 μ m[.000100] THICK NICKEL UNDERPLATE.
- 3. PLUG WILL ACCEPT 26 OR 28 AWG STRANDED WIRE, 0.99[.039] MAX INSULATION DIAMETER, WITH A 2.29 X 4.83 [.090 X .190] OVAL JACKET.
- 4 TERMINATED DIMENSION 6.15[.242] MAXIMUM.
- 6 10,000 ASSEMBLES PER PACKAGE.
- 7 1000 ASSEMBLIES PER PACKAGE.
- 8 100 ASSEMBLIES PER PACKAGE.

SUPERSEDED BY 5-641334-2

8	5-641334-3
7	5-641334-2
6	5-641334-1
10	641334-1
REELED	PART NO.

THIS DRAWING IS A CONTROLLED DOCUMENT.		DWN	YTP/UTA	8-31-93	TE Connectivity
DIMENSIONS: mm[INCHES]		CHK	C.WHITT	9-15-93	
TOLERANCES UNLESS OTHERWISE SPECIFIED:		APVD	-	-	
0 PLC ± - 1 PLC ± - 1 2 PLC ± - 3 PLC ± - 4 PLC ± - ANGLES ± ± - FINISH - 2		PRODUCT SPEC 108-1163		NAME MODULAR PLUG ASSEMBLY, 4 POSITION, HANDSET	
MATERIAL -		APPLICATION SPEC		SIZE CAGE CODE DRAWING NO A2 00779 641334	
CUSTOMER DRAWING		WEIGHT -		RESTRICTED TO -	
SCALE 4:1			SHEET 1 OF 1		REV AA