

10 9 8 7 6 5 4 3 2 1

F

E

D

C

B

A

F

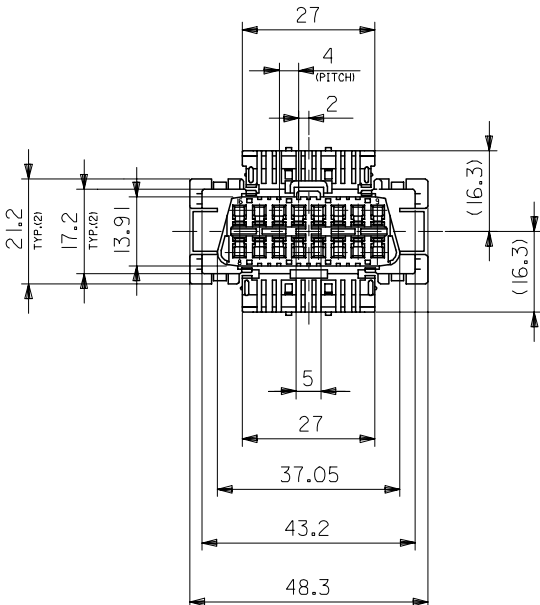
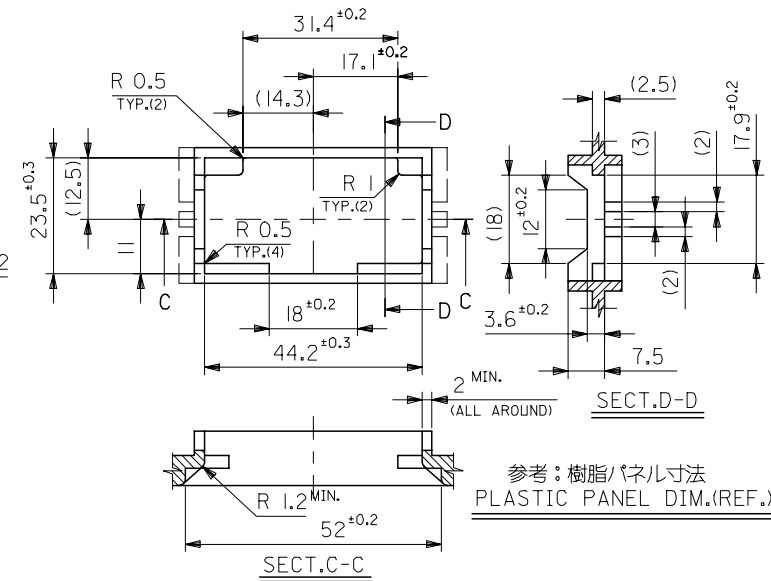
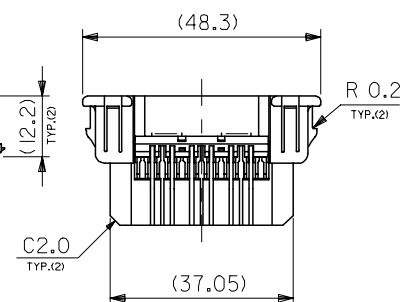
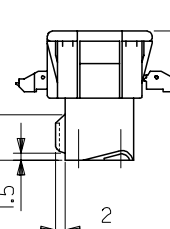
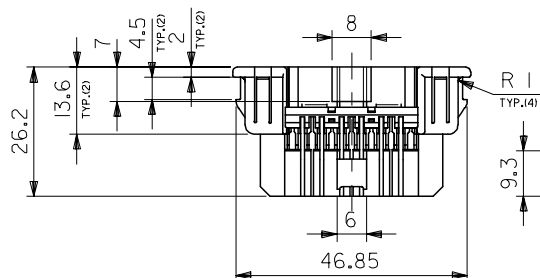
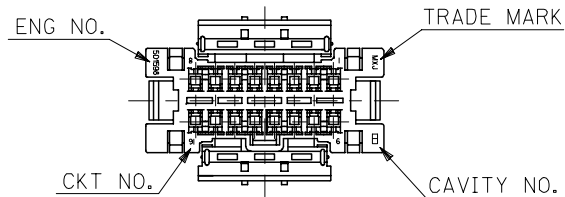
E

D

C

B

A



注記
NOTES

- 適合ターミナル:50695-8*00, 56056-0005
APPLICABLE TERMINAL:50695-8*00, 56056-0005
- 材料: PBT(NON-FILLER) UL94HB, BLUE
MATERIAL:

RELEASED EC NO: J2005-2288 DRWN:SHIBATA 2005/02/08 CHKD:TAITO 2005/02/08 APPR:AKANEHIGE 2005/02/22	GENERAL TOLERANCES (UNLESS SPECIFIED)		DIMENSION STYLE MM ONLY		SCALE 1:1	DESIGN UNITS METRIC	THIRD ANGLE PROJECTION		
	10 UNDER	±0.2	DRAWN BY SH.SHIBATA		DATE 05/2/4	TITLE 4.0 W/W CONN. REC. HSG. WITH MOUNTING EARS (OBD-II 24V)			
	10 OVER 30 UNDER	±0.25	CHECKED BY TA.ITO		DATE 05/2/4				
	30 OVER	±0.3	APPROVED BY A.KANEHIGE		DATE 05/2/4	MOLEX INCORPORATED DOCUMENT NO. SD-501598-001 SHEET NO. 1 OF 1			
ANGULAR ±3 °		MATERIAL NO. 501598-1604		DRAFT WHERE APPLICABLE MUST REMAIN WITHIN DIMENSIONS					
0	SIZE A3 THIS DRAWING CONTAINS INFORMATION THAT IS PROPRIETARY TO MOLEX INCORPORATED AND SHOULD NOT BE USED WITHOUT WRITTEN PERMISSION								