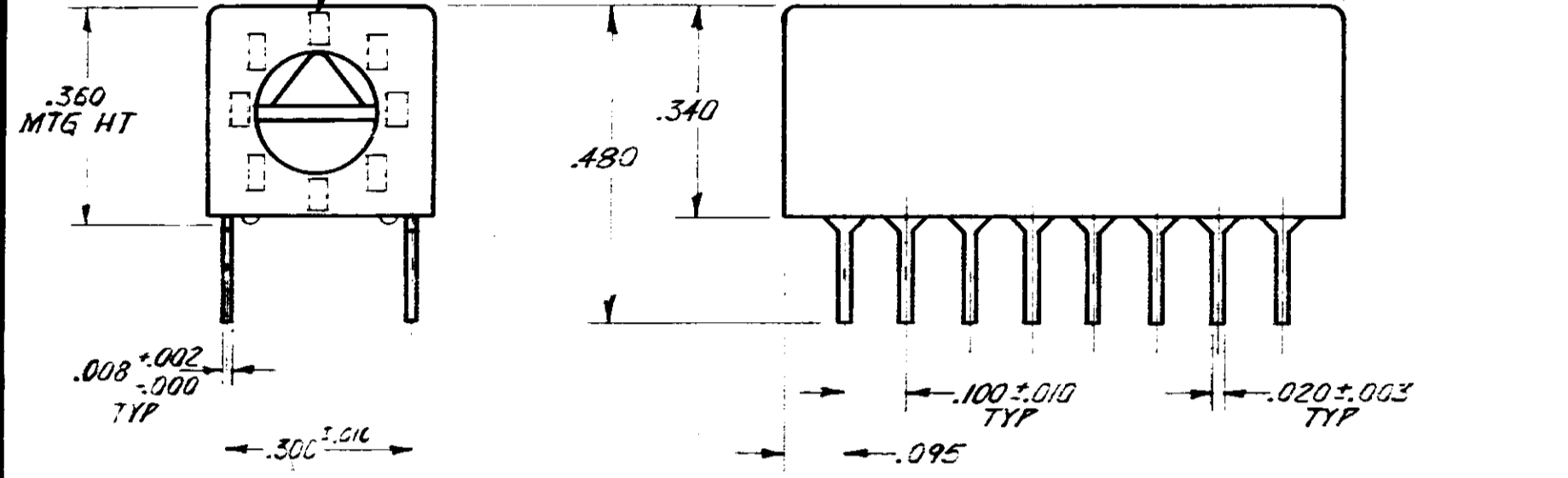
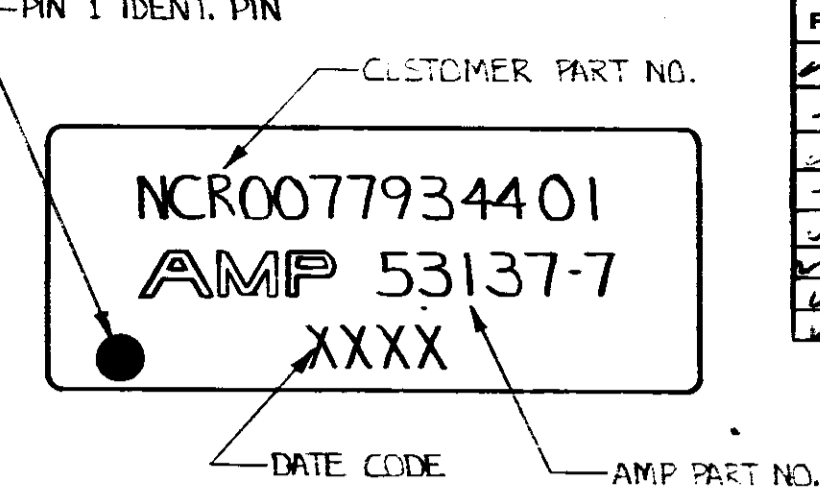
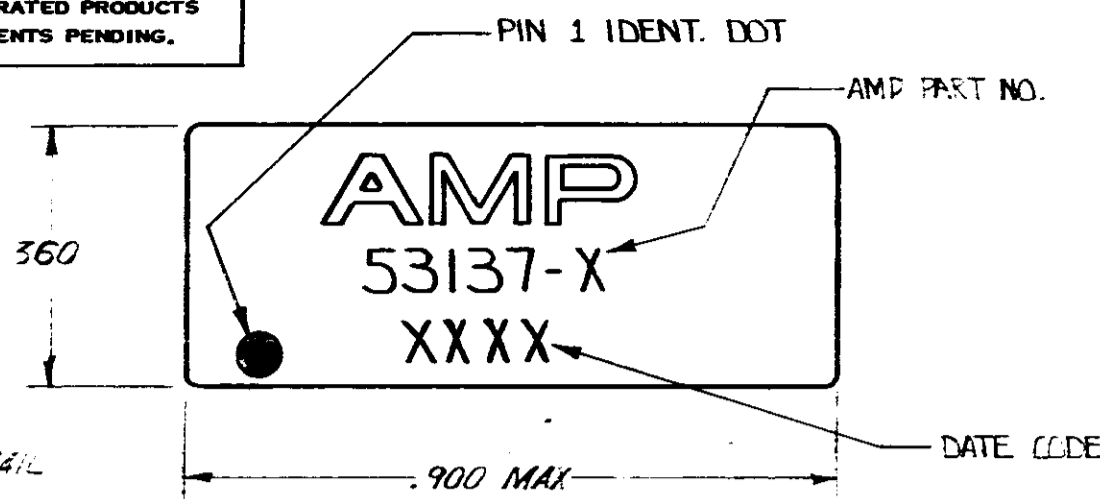


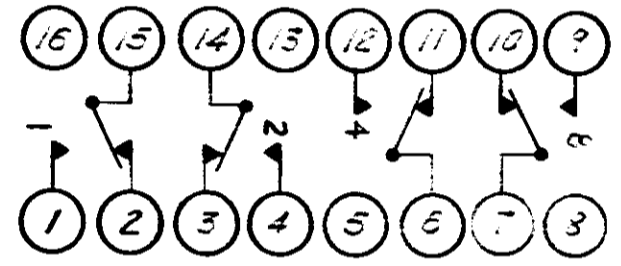
© COPYRIGHT 1972 BY AMP INCORPORATED, HARRISBURG, PA. ALL INTERNATIONAL RIGHTS RESERVED. AMP INCORPORATED PRODUCTS COVERED BY U. S. AND FOREIGN PATENTS AND/OR PATENTS PENDING.

REVISIONS					
P	F	ZONE	LTR	DESCRIPTION	DATE APPROVED
✓		-	T	REVISED & REDRAWN PER UFS 78-1082	12-6-78 JSM JF
✓	CA	U		REVISED PER ECN PC 3363	4-30-78 GAS JH
✓		V		REV. PER PC-8556	1-21-80 BS JH
✓		W		REV. PER P81-0107	7-7-81 BE
✓		Y		LOC. SWAS G, UPDATED, EA 2309	12-82 DS
✓		Z		DIST. WAS 17 EA 2441	6-83 DJH
✓	AA			PUT NOTE INFO. INTO TABLE REVISED STAMPING EA 2483	8-83 DJH
✓	AB			REVISED MATL & FINISH NOTES ECN S2695	6-7-84 JM

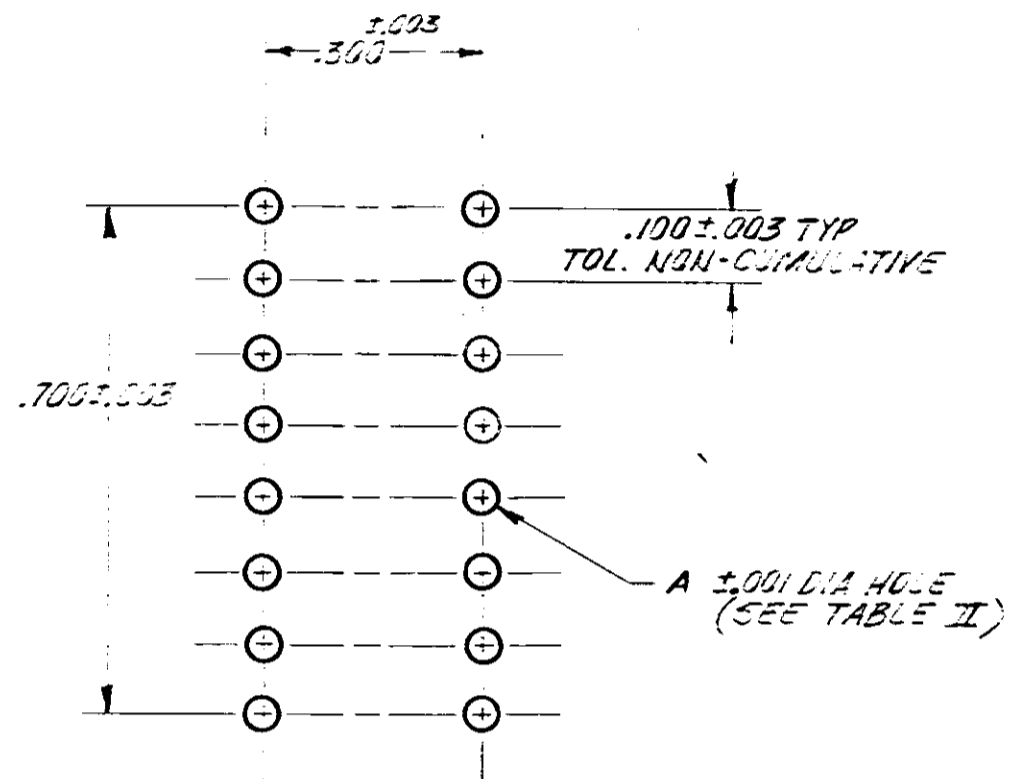


FOR UNSUPPORTED HOLE	.039
FOR PLATED THRU HOLE	.042
TYPE OF HOLE	A

TABLE I



SCHEMATIC (POSITION 0)



HOLE PATTERN



STAMPING DETAILS

ON ALL 4 SIDES	STYLE II	53137-9
ON ALL 4 SIDES	STYLE II	53137-8
ON ALL 4 SIDES	STYLE I	53137-7
ON ALL 4 SIDES	STYLE II	53137-6
ON ALL 4 SIDES	STYLE I	53137-5
ON LEG SIDES ONLY	STYLE III	53137-3
ON LEG SIDES ONLY	STYLE II	53137-2
ON LEG SIDES ONLY	STYLE I	53137-1

HOUSING IS BLACK POLYESTER, CONTACTS ARE PHOS BRONZE

UNLESS OTHERWISE SPECIFIED DIMENSIONS ARE IN INCHES. TOLERANCES ON: DECIMALS ±.008 ANGLES ±	CONTRACT NO DR DANIEL J. MURRELL 12-5-78 CHK [Signature] 12-6-78 APPD [Signature] 12-6-78 APPD [Signature] 12-6-78 DSGN APPD OTHER APPD	AMP INCORPORATED Harrisburg, Pa.	NAME PREPROGRAMMED DIP, 16 POSN, SCREWDRIVER SLOT, HEXADECIMAL W/COMPLEMENT
MATERIAL SEE TABLE	SEALANT STAMPING	MATERIAL	PART NO
FINISH CONTACTS: .000030 GOLD OVER NICKEL	SCALE 4-1	CODE IDENT NO 00779	DRAWING NO 53137