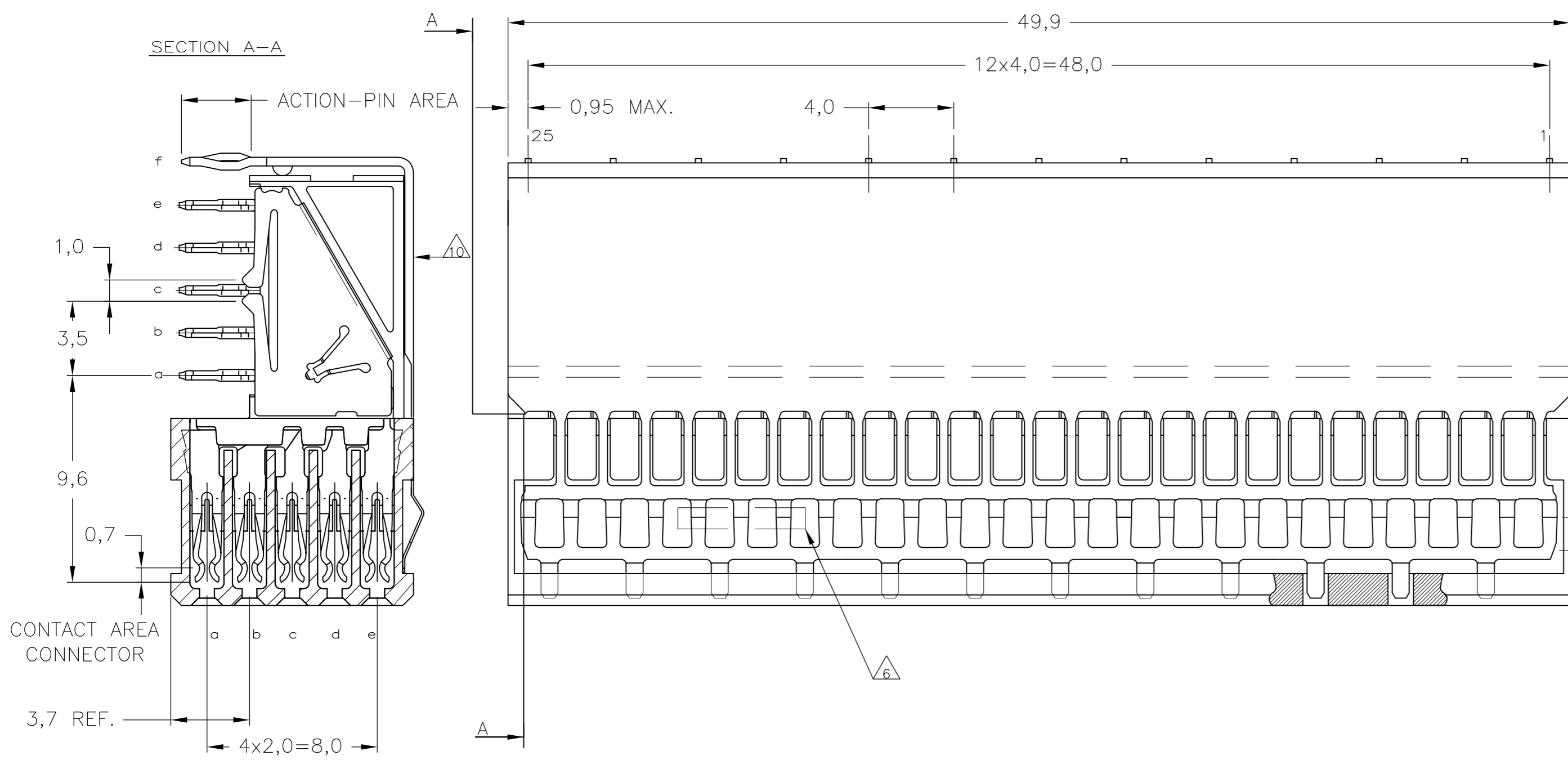


THIS DRAWING IS UNPUBLISHED. RELEASED FOR PUBLICATION
 © COPYRIGHT BY TYCO ELECTRONICS CORPORATION. ALL RIGHTS RESERVED.

LOC	DIST	REVISIONS					
		P	LTR	DESCRIPTION	DATE	DWN	APVD
H	-	C1		ECR-07-030919	21-12-07	JvH	BM
		C2		ECR-08-007679	17-02-09	AEG	MKO
		D		ECR-10-018652	10SEP10	SW	MQW

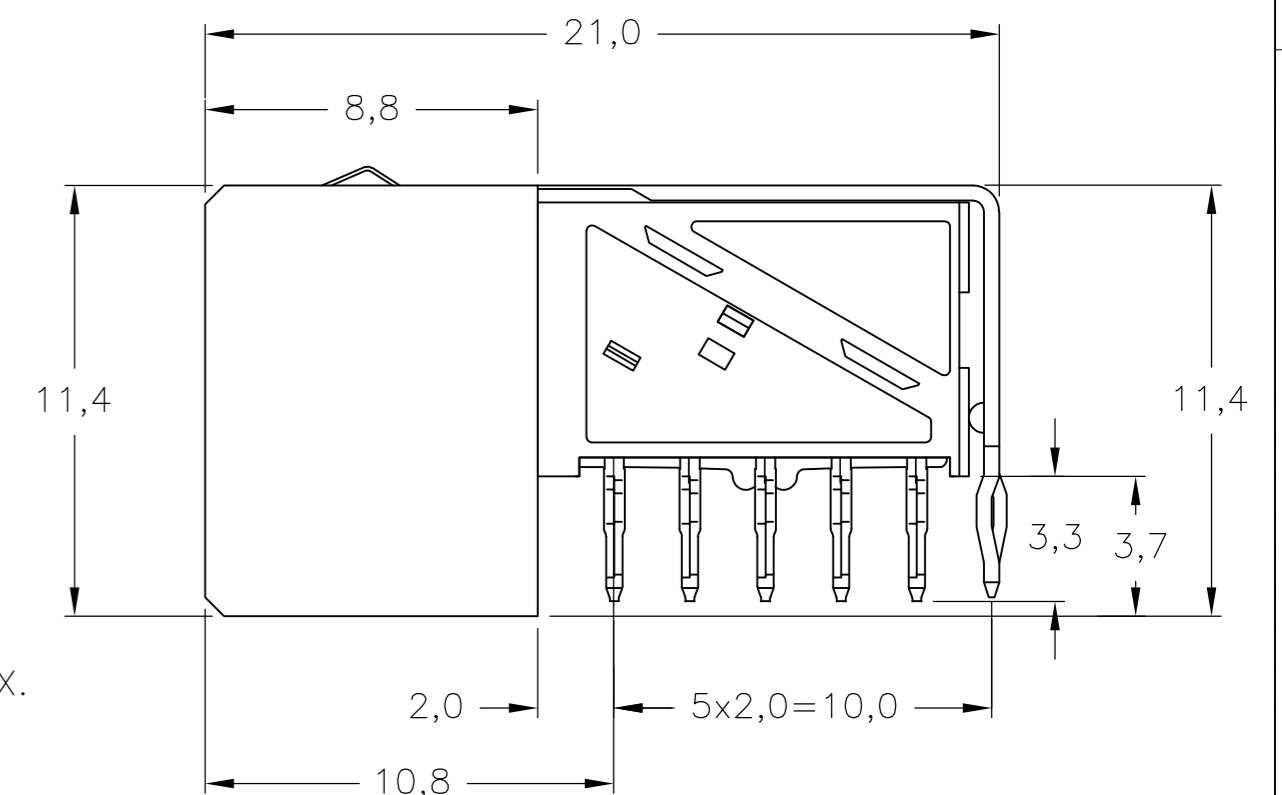
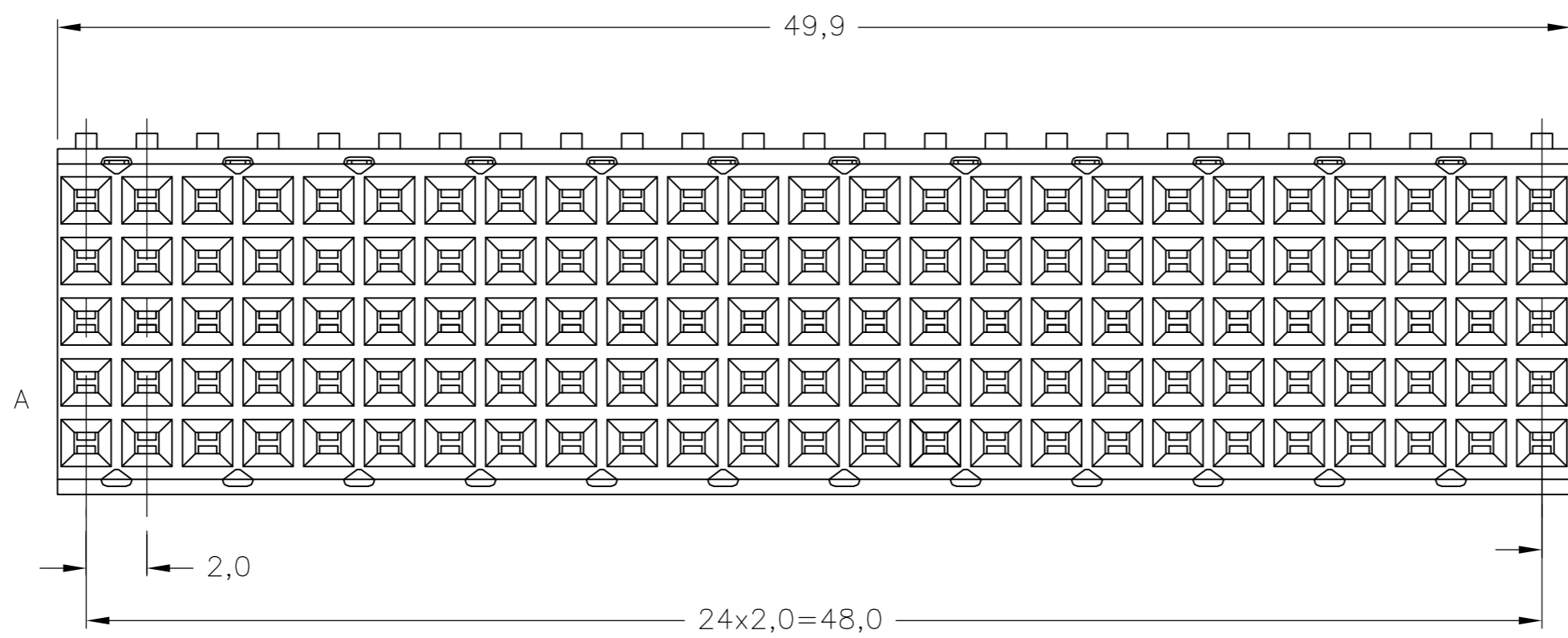


CONTACT AREA SHIELD

CONTACT AREA CONNECTOR

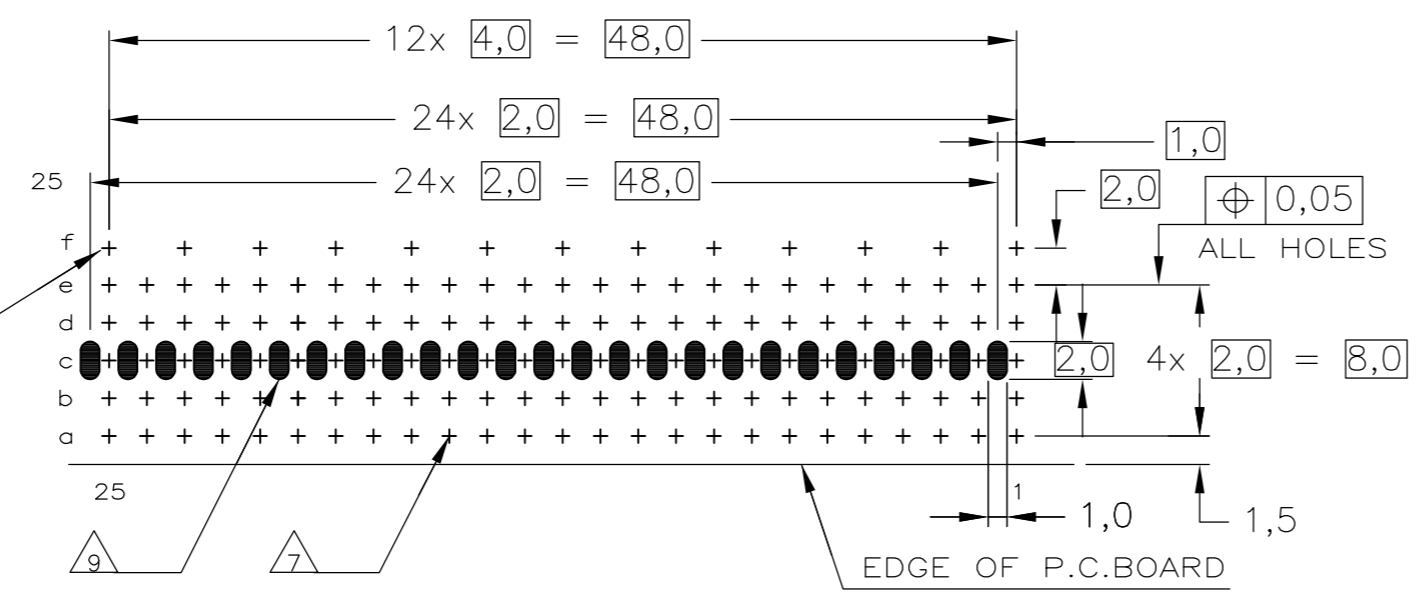
NOTES:

- 1 MATERIAL CONTACTS; PHOSPHORBRONZE
MATERIAL SHIELDS ; PHOSPHORBRONZE
MATERIAL HOUSING; GLASSFILLED POLYESTER (GRAY)
 - 2 GENERAL CONTACT PLATING SPECIFICATION: UNDERPLATING
(ENTIRE CONTACT): 1,27µm NICKEL MIN. AND ACTION PIN: 0,5µm TIN MIN. FOR PLATING OF MATING SURFACES SEE APPLICABLE SPECIFICATION REFERENCE FOR EACH DASH NUMBER.
 - 3 CONFORMS TO ALL TESTING ACCORDING IEC 61076-4-101 PERFORMANCE LEVEL 2.
 - 4 CONFORMS TO ALL TESTING ACCORDING IEC 61076-4-101 PERFORMANCE LEVEL 1.
 - 5 PLATING SHIELDS :
GROUND RETURN SHIELD:
CONTACT AREA : 0,76µm Au MIN.
ACTION PIN : 0,5µm Sn MIN.
REMAINDER : Ni
REDUCED CROSS-TALK SHIELD: GOLD FLASH OVER 1,27 µm NICKEL MIN.
 - 6 ASSEMBLY PRINTED WITH P/N AND DATECODE
THE MARKING CAN APPEAR ON THE FRONT SIDE
OR ON THE BACK SIDE.
 - 7 HOLE PATTERN FOR FEMALE CONNECTOR TYPE B
125 PLATED-THROUGH HOLES AT 2x2mm SQUARE GRID
 - 8 ROW "f" 13 PLATED THROUGH HOLES FOR UPERSHIELD
 - 9 PLATED SPOT ONLY ON COMPONENT SIDE, FORMING
ONE CONTACT WITH PLATED THROUGH HOLES OF ROW C
 - 10 SHIELD MOUNTED ON CONNECTOR WITH DOUBLE SIDED
ADHESIVE TAPE OR ADHESIVE
11. BASIC P.N. LOWERSHIELD: 5338110



RECOMMENDED P.C.B. HOLE LAY-OUT
COMPONENT SIDE AS SHOWN

SCALE 2,5:1



P.C.B. HOLE DIM. ACTION PIN
FOR DETAILS SEE
APPLICATION SPECIFICATION

THIS DRAWING IS A CONTROLLED DOCUMENT.

DIMENSIONS:	TOLERANCES UNLESS OTHERWISE SPECIFIED:
mm	±0.2
	0-PLC ±
	1-PLC ±
	2-PLC ±
	3-PLC ±
	4-PLC ±
	ANGLES ±
	FINISH ±

DWN	24AUG2004	Tyco Electronics Corporation 's-Hertogenbosch, Nederland
CHK	22MAR2005	
APVD	22MAR2005	Z-PACK 2mm HM TYPE B PRE-SHIELDED RECEPTACLE WITH RED.CROSS-TALK SHIELDS
PRODUCT SPEC	108-19082	
APPLICATION SPEC	114-19029	RESTRICTED TO
WEIGHT	-	SCALE
CUSTOMER DRAWING	5:1	SHEET
	1 of 1	REV
	D	