

**Materials**

- 1. Brass, nickel plating, 1µm minimum
- 2. Nylon PA46, black

**Electrical requirements**

Dielectric strength: 1 min @ 500 Vac  
 Insulation resistance: 100 MΩ @ 500 Vdc  
 Contact resistance: 50 mΩ or less

**Mechanical requirements**

Insertion force: 0.4 ~ 4 kgf  
 Withdrawl force: 0.4 ~ 4 kgf  
 Durability: 5000 mating cycles while maintaining insertion force of 0.3 ~ 4 kg; withdrawl force of 0.3 ~ 4 kgf; contact resistance of 60mΩ or less.

**Environmental tests**

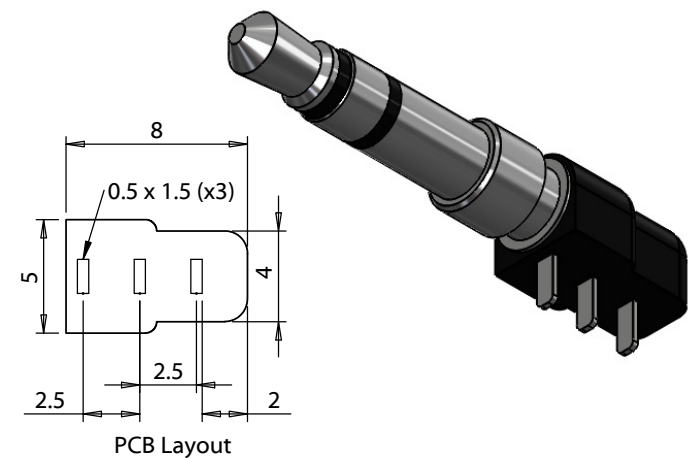
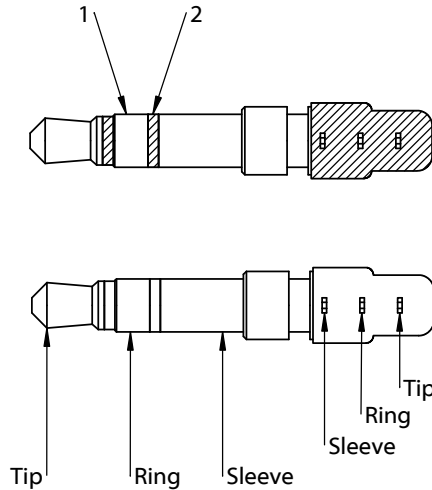
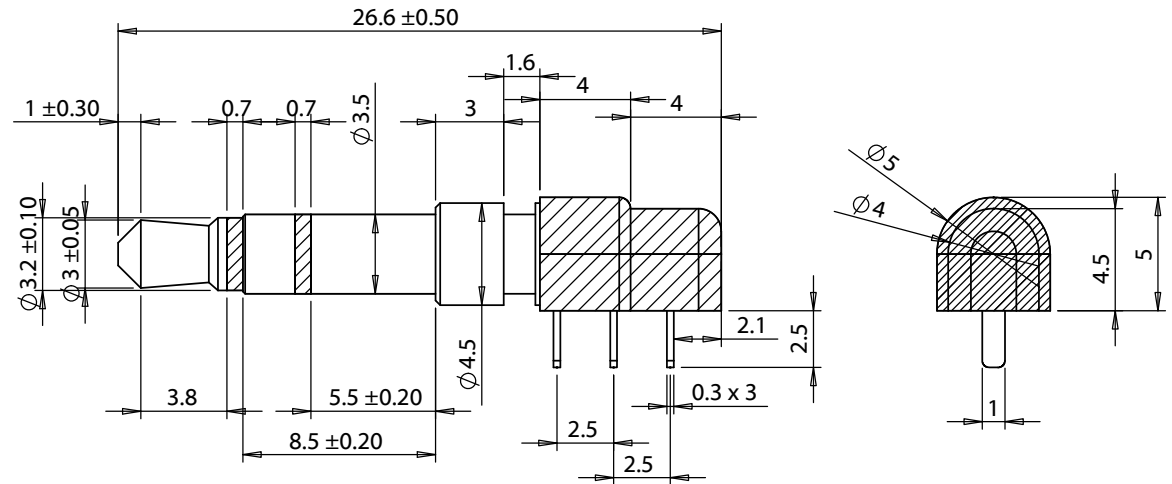
Damp test: 40 °C, RH 90-100% for 96 hrs. Cool to ambient and recover for 2 hours. Maintain dielectric strength of 500 Vac for 1 min, insulation resistance of 50 MΩ @ 500 Vdc minimum.

Dry test: 70 °C, RH 70-85% for 96 hrs. Cool to ambient and recover for 2 hours. Maintain contact resistance of 100 mΩ or less with no looseness or deformation.

Salt spray test: 35 ±2 °C, RH 90-95%, 5% NaCl mist for 24 hrs. Wash parts after test. Maintain mechanical requirements and a contact resistance of less than 100 mΩ.

**Operating range**

-25 to 70 °C, relative humidity of 85% or less



REVISION	DATE	DESCRIPTION	PREPARED:	NOTES	<h1 style="text-align: center;">TENSILITY</h1> <p style="text-align: center;">20802 Sockeye Place #130                  Bend, OR 97701 USA                  tel 541.323.3228 fax 541.323.4202                  800 877.670.7118 www.tensility.com</p>					
A	7/9/2015	Initial release		RoHS and REACH compliant						
A1	10/27/2015	Added PCB dimensioning and wiring information	VERIFIED:	Drawing in third angle projected						
			DIMENSIONS ARE IN MILLIMETERS	DESCRIPTION: Connector, 3C audio plug, 3.5xL26.6 mm, brass, nickel plated, PCB mount						
			TOLERANCES: X: ± 0.5 mm X.X: ± 0.3 mm X.XX: ± 0.05 mm	<table border="1" style="width: 100%;"> <tr> <td>SIZE A</td> <td><b>PART NUMBER</b> <b>54-00036</b></td> </tr> <tr> <td>SCALE: 5:1</td> <td>WEIGHT:</td> </tr> <tr> <td colspan="2" style="text-align: right;">SHEET 1 OF 1</td> </tr> </table>		SIZE A	<b>PART NUMBER</b> <b>54-00036</b>	SCALE: 5:1	WEIGHT:	SHEET 1 OF 1
SIZE A	<b>PART NUMBER</b> <b>54-00036</b>									
SCALE: 5:1	WEIGHT:									
SHEET 1 OF 1										