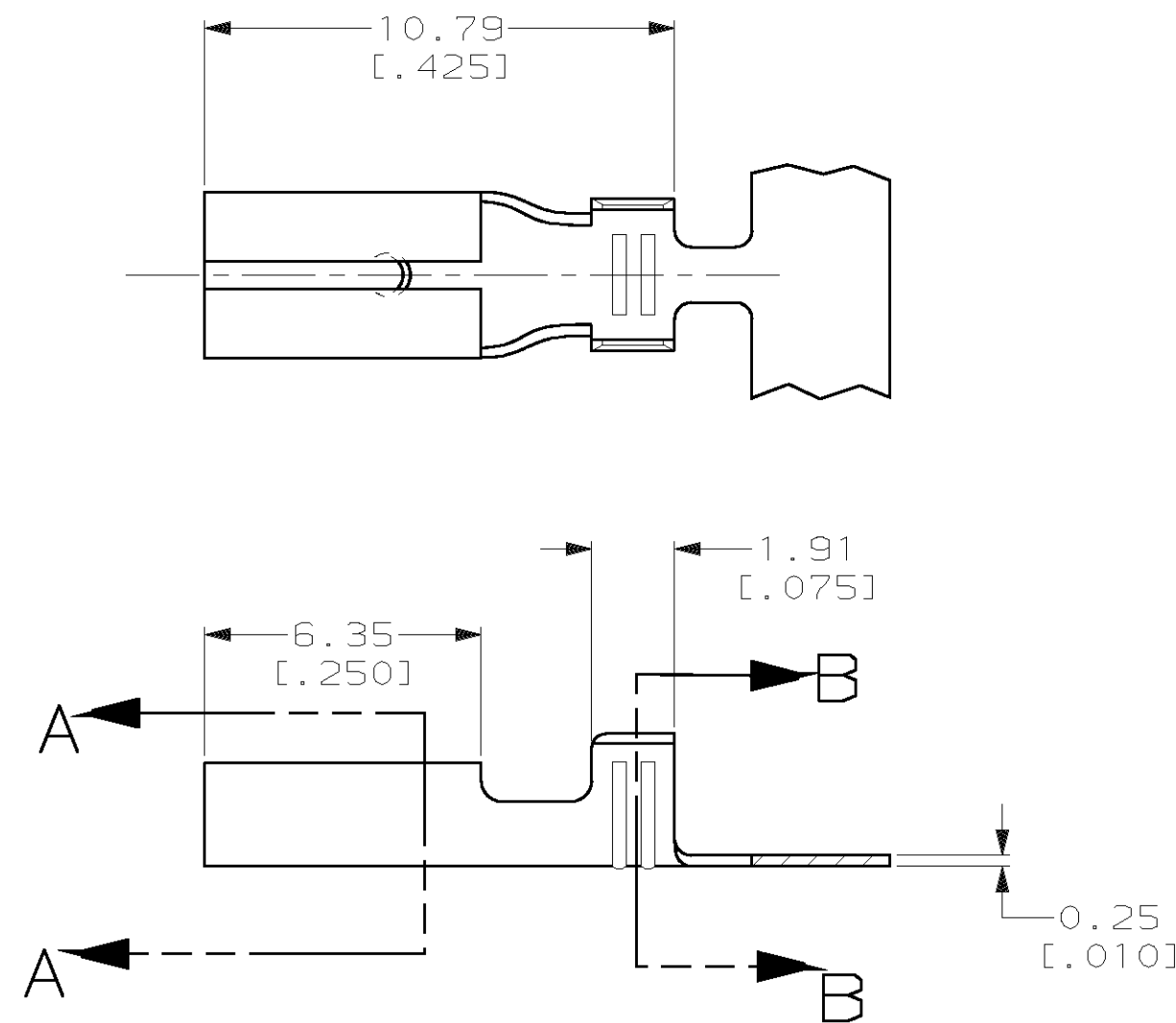
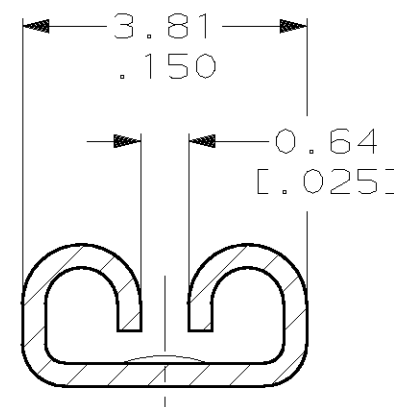


THIS DRAWING IS UNPUBLISHED. RELEASED FOR PUBLICATION, 19 .
 © COPYRIGHT 19 BY AMP INCORPORATED. ALL INTERNATIONAL RIGHTS RESERVED.

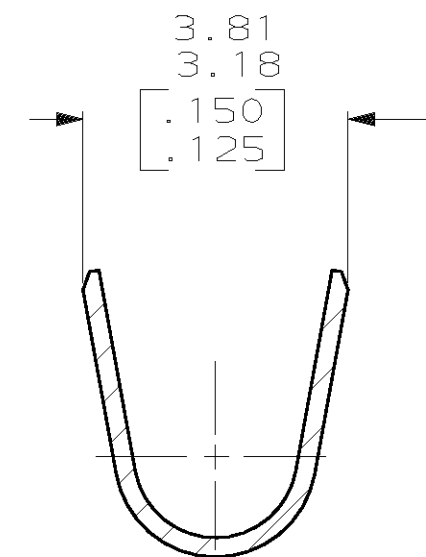
LOC	DIST	REVISIONS						
AF	50	P	F	ZONE	LTR	DESCRIPTION	DATE	APPD
					F	REVISED PER 0G1A-0025-99	5/3/99	JR/SH



- 1 CONTINUOUS STRIP ON REELS.
- 2 ACCEPTS WIRE SIZES [#18-#14 OR TWO #18'S].
- 3 MATING TAB THK TO BE 0.51±0.025 [.020±.001]



SECTION A-A
SCALE 10:1



SECTION B-B
SCALE 10:1

THIS DRAWING IS A CONTROLLED DOCUMENT FOR AMP INCORPORATED. IT IS SUBJECT TO CHANGE AND THE CONTROLLING ENGINEERING ORGANIZATION SHOULD BE CONTACTED FOR THE LATEST REVISION.

DO NOT SCALE PRINT. UNLESS SPECIFIED DIMENSIONS IN mm [INCHES] TOLERANCES ON: 2 PLC DEC ± 0.38 [.015] 3 PLC DEC ± - ANGLES ± -	DR	3/14/96	PRE-TIN	BRASS	63202-2
	CHK	3/14/96	-	BERYLLIUM COPPER	63202-1
MATERIAL	APPD	3/14/96	FINISH	MATERIAL	PART NO
SEE TABLE	J	HUZVAR	SEE TABLE	AMP	AMP Incorporated
FINISH	APPD	3/14/96	SEE TABLE	Harrisburg, PA 17105-3608	
SEE TABLE	V	KARABCIEVSKY	FINISH	NAME	
			SEE TABLE	RECEPTACLE, FASTON™	
			FINISH	2.79 [.110] SERIES	
			FINISH	SIZE	CAGE CODE
			SEE TABLE	B	00779
			FINISH	SCALE	DRAWING NO
			SEE TABLE	6:1	C-63202
			FINISH	SHEET	1 OF 1
			SEE TABLE		