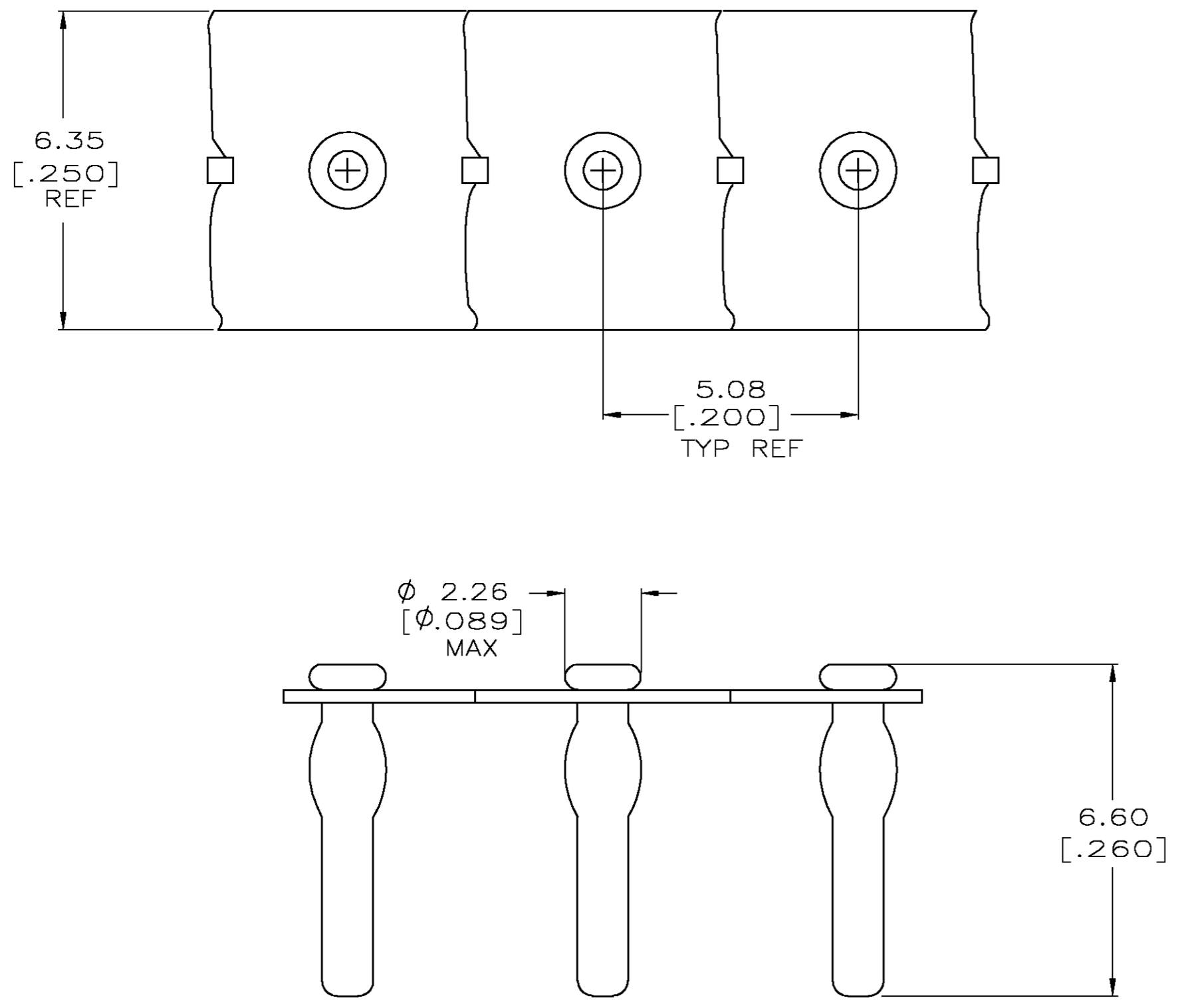
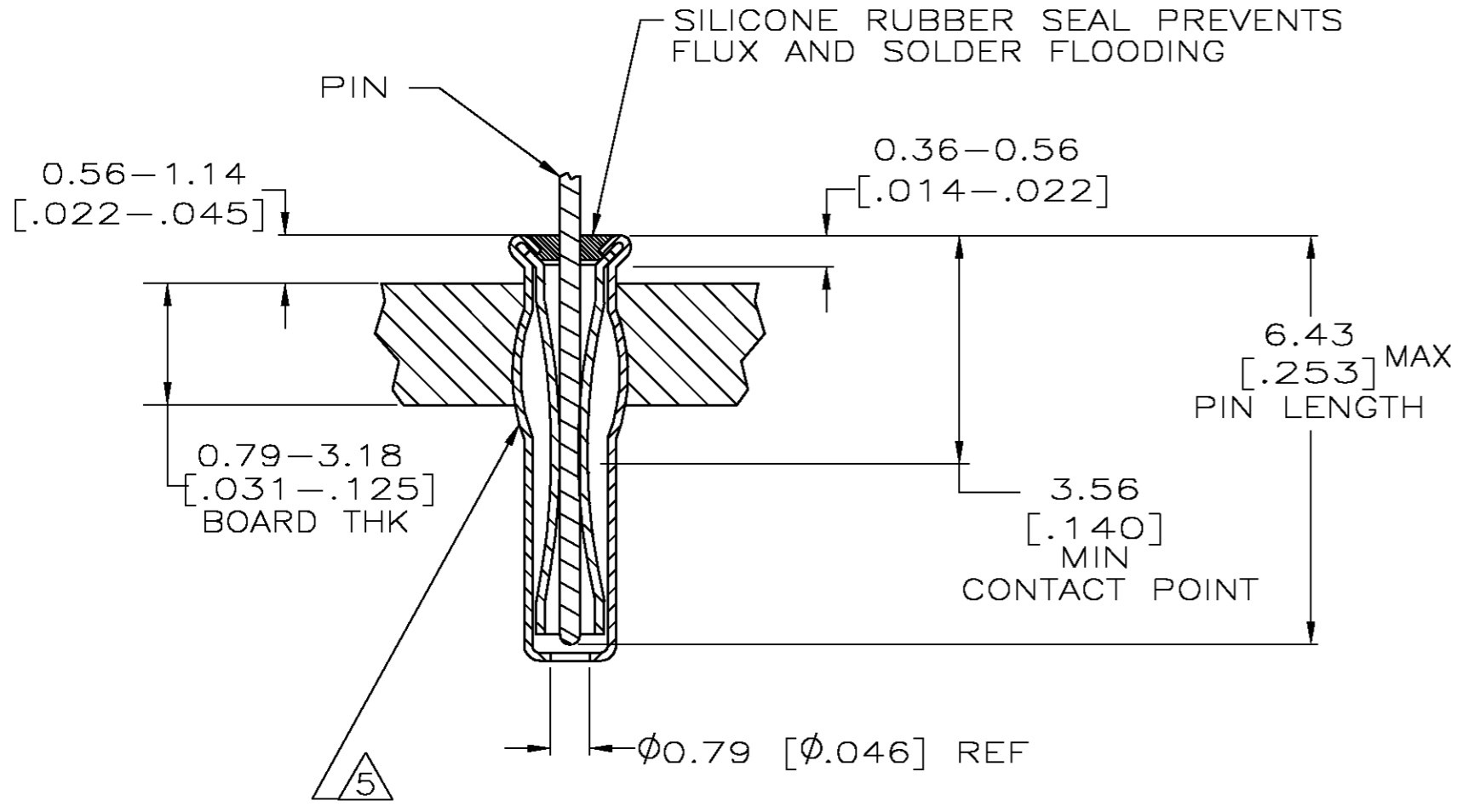


THIS DRAWING IS UNPUBLISHED. RELEASED FOR PUBLICATION
 © COPYRIGHT BY TYCO ELECTRONICS CORPORATION. ALL RIGHTS RESERVED.

LOC	DIST	REVISIONS			
P	LTR	DESCRIPTION	DATE	DWN	APVD
GP	00				
	C	REVISED PER OS11-0088-03	6-12-03	JB	KK



- 1 MATERIAL:
 EYELET- COPPER(QQ-C-576)
 SPRING- BERYLLIUM-COPPER (QQ-C-533)
 SEALANT- SILICONE RUBBER
- 2 TIN OR TIN-LEAD PLATE (MIL-T-10727) 0.00381 [.000150] MIN THK
- 3. PACKAGE 10,000 PER REEL.
- 4 TO ENSURE 1/2 OZ MIN RETENTION, DO NOT EXCEED 0.05 [.002] DIFFERENCE IN PIN DIA WHEN CHANGING TO A SMALLER DIA PIN.
- 5 PRODUCT IS OVALIZED FOR RETENTION IN THE P.C. BOARD. THE RECOMMENDED HOLE DIAMETER IS $\phi 1.80$ [$\phi 0.071$] MINIMUM, +0.08 [.003] MAX. PRIOR TO SOLDERING.
- 6 TIN PER ASTM B 545, 0.00254 [.000100] MIN THK



$\phi 0.86-\phi 0.94$ [$\phi 0.034-\phi 0.037$]	6	6	6-645522-1
PIN DIA 4	2	2	645522-1
	SPRING EYELET FINISH		PART NO.

THIS DRAWING IS A CONTROLLED DOCUMENT.		DWN C.WHITT 3-16-92	Tyco Electronics Corporation	
DIMENSIONS: INCHES		CHK R.TALLEY 3-23-92	NAME tyco Electronics MINIATURE SPRING SOCKET ASSEMBLY, SERIES 4	
TOLERANCES UNLESS OTHERWISE SPECIFIED:		APVD S.ROBERTSON 3-23-92	SIZE A2 CAGE CODE 00779 DRAWING NO C=645522	
0 PLC ± -		PRODUCT SPEC -	RESTRICTED TO -	
1 PLC ± -		APPLICATION SPEC 114-26004	SCALE 10:1 SHEET 1 OF 1 REV C	
2 PLC ± -		WEIGHT -		
3 PLC ± 0.20[.008]		CUSTOMER DRAWING		
4 PLC ± -				
ANGLES ± -				
FINISH SEE TABLE				

645522

A