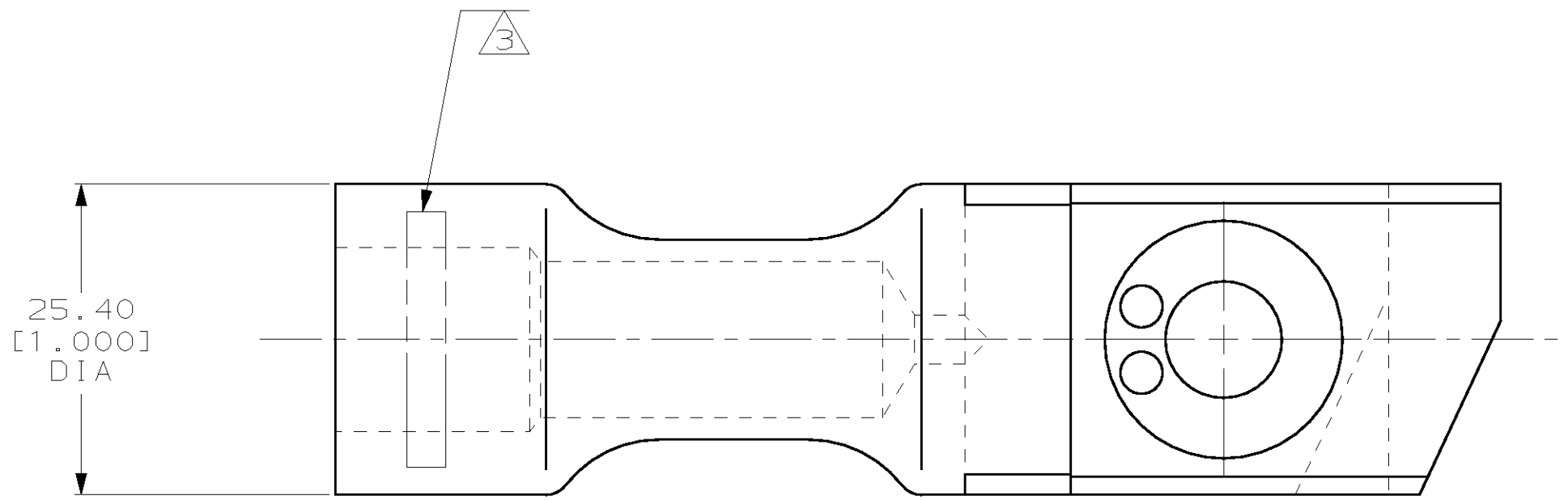
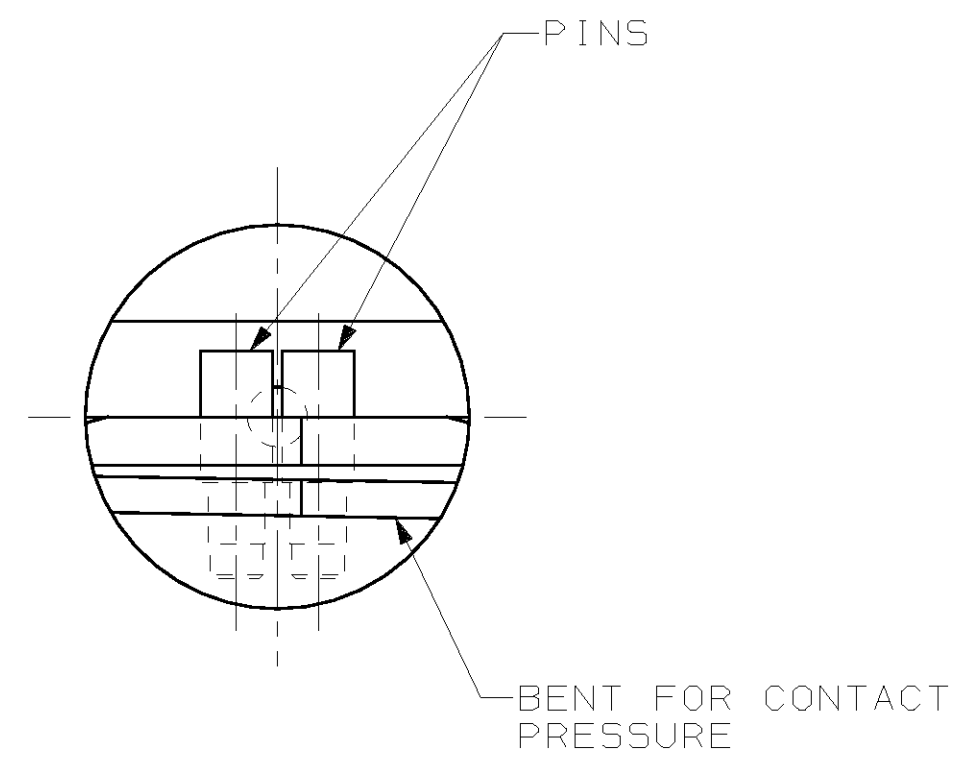
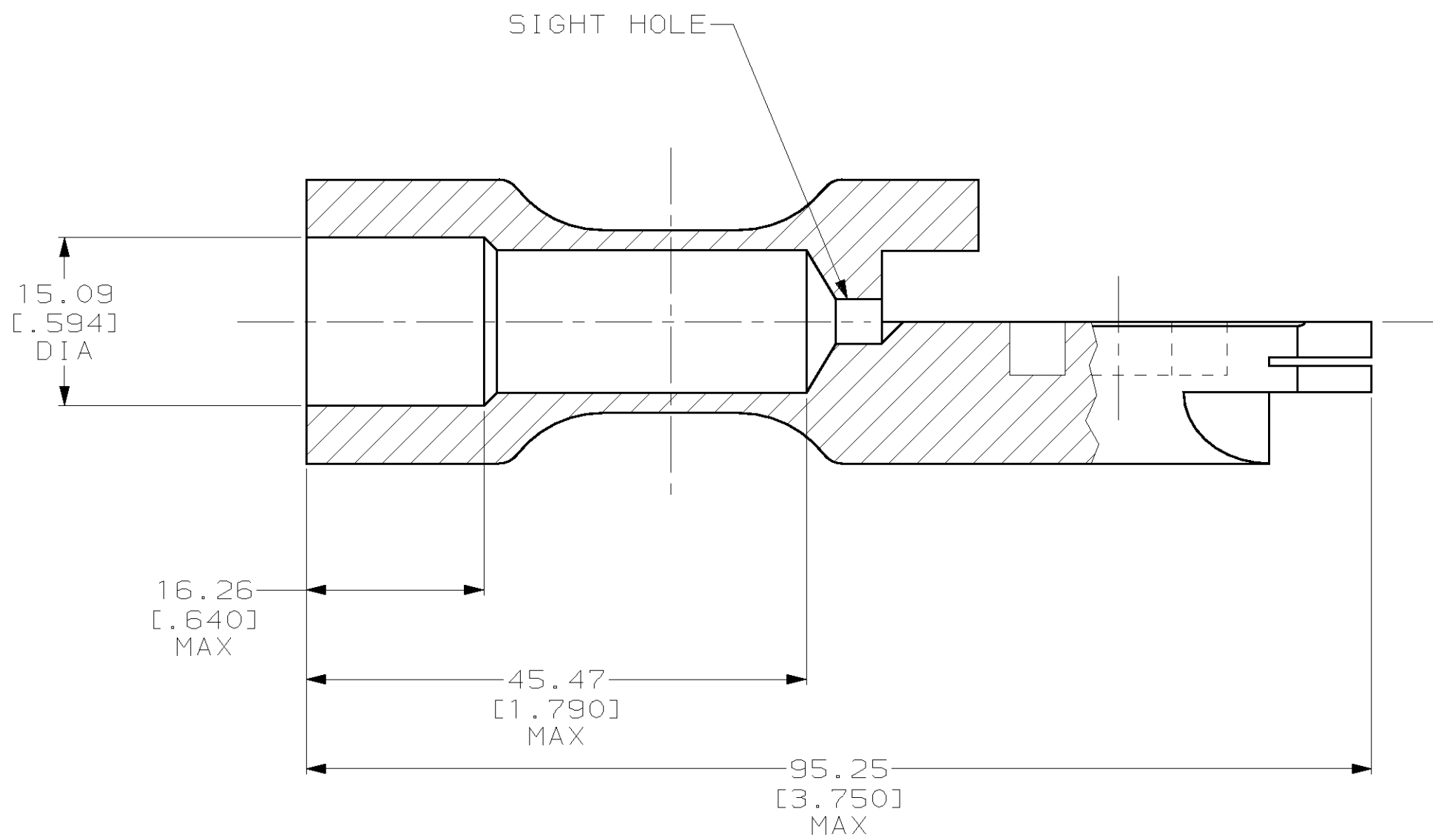


THIS DRAWING IS UNPUBLISHED. RELEASED FOR PUBLICATION
 (C) COPYRIGHT 19 BY AMP INCORPORATED. ALL RIGHTS RESERVED.

LOC	DIST	REVISIONS					
		P	LTR	DESCRIPTION	DATE	DWN	APVD
G	86	A		REVISED PER 0G10-0028-98	18FEB98	DKS	SJU



- ① BODY AND PINS: BRASS PER QQ-B-626
- ② SILVER PL 0.00762[.000300] MIN THK PER QQ-S-365
- ③ STAMP AEG 7077D80G13 1/0 A33 LOCATED IN AREA APPROX AS SHOWN



696036-1
AMP
PART NUMBER

THIS DRAWING IS A CONTROLLED DOCUMENT.		DWN DK SCHRUM 23JAN98	AMP Incorporated Harrisburg, PA 17105-3608	
DIMENSIONS: mm [INCHES]		CHK SJ UNGER 26JAN98	NAME TJ MICHELUTTI	
TOLERANCES UNLESS OTHERWISE SPECIFIED: 0 PLC ±- 1 PLC ±- 2 PLC ±0.20(.008) 3 PLC ±- 4 PLC ±- ANGLES ±-		APVD TJ MICHELUTTI 26JAN98	PRODUCT SPEC 108-13014	
MATERIAL ①		FINISH ②	SIZE A2	CAGE CODE 00779
		WEIGHT -	DRAWING NO 696036	RESTRICTED TO -
		CUSTOMER DRAWING	SCALE 2:1	SHEET 1 OF 1
			REV A	

696036