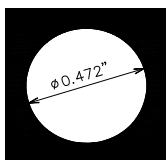
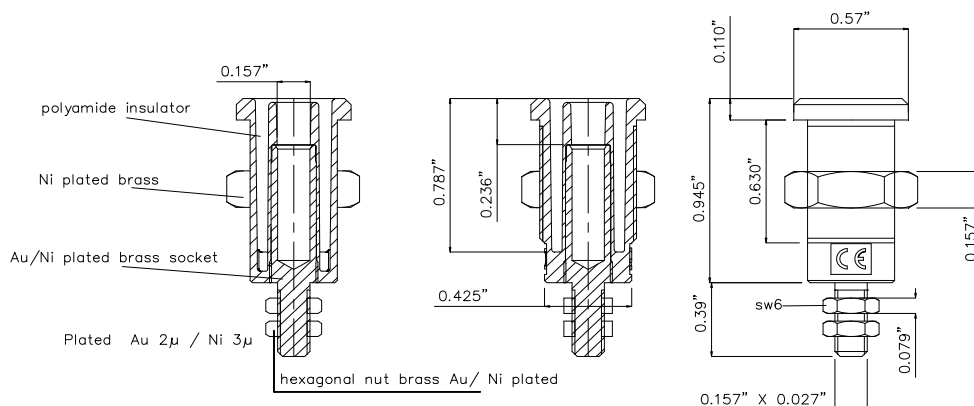


**Model 72930**

**Panel Mount IEC 61010 4mm (0.16in) Jack for Sheathed Plugs**



PANEL DRILLING  $\phi 0.472$ "



**Model 72930**  
**Panel Mount IEC 61010 4mm (0.16in) Jack for**  
**Sheathed Plugs**

**Materials**

*Body:* Polyamide  
*Hex Nut:* Nickel-plated brass  
*Stud:* Nickel-plated brass  
*Stud Hex Nuts:* Nickel-plated brass

**Features**

- Panel mount IEC61010 4mm (0.16in) banana jack for sheathed banana plugs, with threaded stud.
- Hexagonal nut.

**Specifications**

<b>Max Current</b>	36A
<b>Max Voltage</b>	1000 V CAT III

M4 x 0.7 nut = Screwing Torque Nuts = 30 Ncm Max.

**Ordering Information**

Model: 72930-  
\*Available colors: 0=Black, 1=Brown, 2=Red, 4=Yellow, 5=Green, 6=Blue, 7=Violet, 8=Gray, 9=White  
*Ordering example: 72930-5 (72930 with Green Polyamide Insulation)*  
Each color sold in packages of 10 pieces.

**USA:** Sales: 800-490-2361  
Technical Support: [technicalsupport@pomonatest.com](mailto:technicalsupport@pomonatest.com)  
Fax: 425-446-5844  
**Europe:** 31-(0) 40 2675 150 **International:** 425-446-5500  
**Where to Buy:** [www.pomonaelectronics.com](http://www.pomonaelectronics.com)

All dimensions are in inches. Tolerances (except noted): .xx =  $\pm 0.02$ " (.51 mm), .xxx =  $\pm 0.005$ " (.127 mm). All specifications are to the latest revisions. Specifications are subject to change without notice. Registered trademarks are the property of their respective companies.