

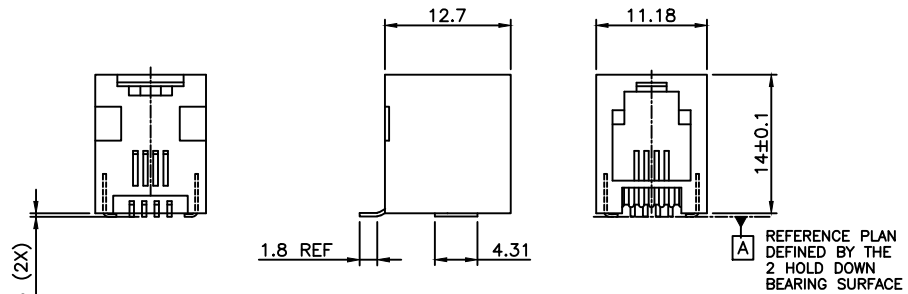
PRODUCT NUMBER
73327-XXXLF

PLATING OPTION
1= GXT 0.76 μ m
3= GOLD 0.76 μ m
5= GOLD 1.27 μ m

PACKAGE OPTION
1= TAPE ON REEL
2= TUBE
3= TAPE ON REEL
IN PLASTIC BAG

TERMINAL LOADING
1= FULLY LOADED

WHEN NEEDED, SUFFIX LETTER "LF"
INDICATES THE PRODUCT IS RoHS
COMPATIBLE, SEE NOTE 4.



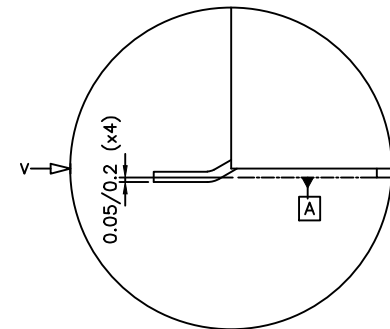
REFERENCE PLAN
DEFINED BY THE
2 HOLD DOWN
BEARING SURFACE

NOTES:

- 1- MATERIAL: HOUSING: HIGH TEMP. PCT, COLOUR BLACK.
TERMINAL: PHOSPHOR BRONZE.
- 2 - PLATING: CONTACT AREA: SEE TABLE.
SOLDER TAIL : 90/10 SnPb 2 μ m MIN.
WHEN SUFFIX "LF" IS REQUIRED, 2 μ m MIN MATTE
TIN OVER 1.27 MIN Ni IS SUPPLIED INSTEAD OF SnPb.
NO RAW EDGES EXCEPT SOLDER TAIL TIPS
- 3 - SOLDER TAILS COPLANARITY : 0.1 mm
- 4 - RoHS COMPATIBLE PRODUCT SPECIFICATIONS
 - a - PLATING:
 - "LF" MEANS THE PRODUCT IS LEAD-FREE,
2 μ m MINIMUM MATTE TIN OVER 1.27 μ m
MINIMUM NICKEL UNDERPLATE.
 - b - MANUFACTURING PROCESS COMPATIBILITY
 - THE HOUSING WILL WITHSTAND EXPOSURE TO
245°C PEAK TEMPERATURE FOR 30 SECONDS
MAX IN A CONVECTION, INFRA-RED OR VAPOR
PHASE OR REFLOW OVEN.
 - c - LABELING:
 - MEETS PACKAGING SPECS AS PER GS-14-920
 - d - LEGAL STATEMENT: SEE GS-47-0004
- 5 - PACKAGING FOR OPTION 3 : EACH REEL IS WRAPPED INTO A PLASTIC BAG
TO PROTECT FROM MOISTURE DURING STACKING TIME.

VIEW ACCORDING "V"

SEE NOTE 3



CUSTOMER COPY FOR REFERENCE ONLY

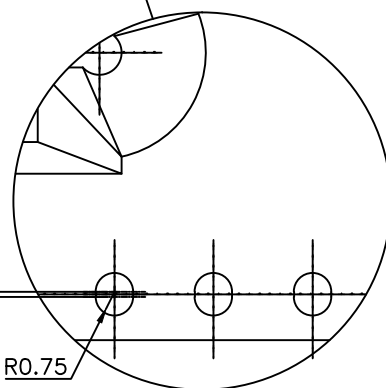
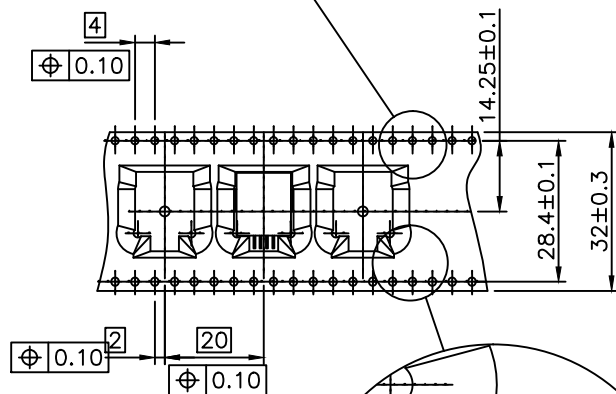
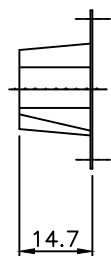
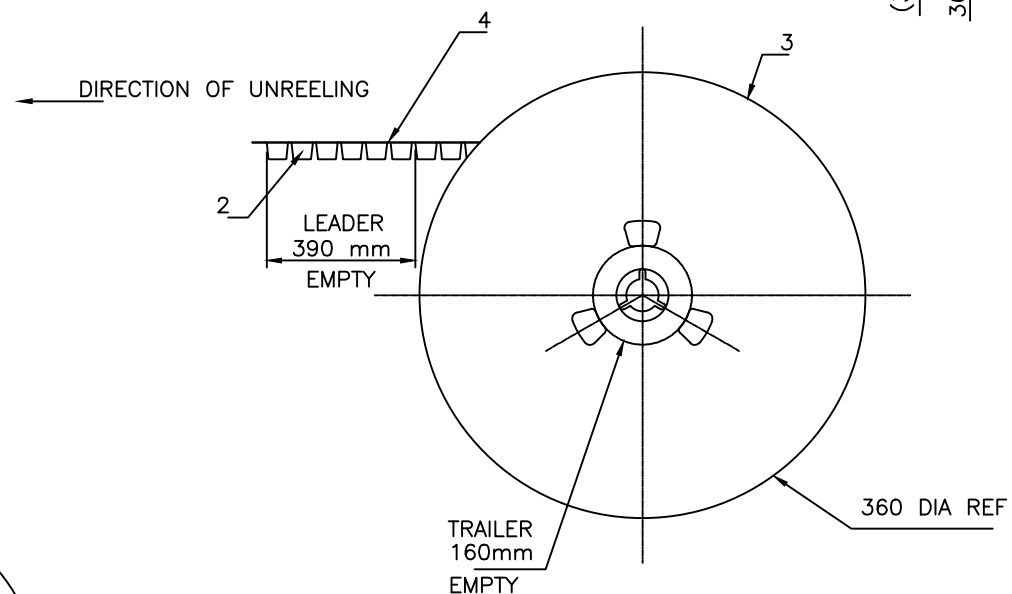
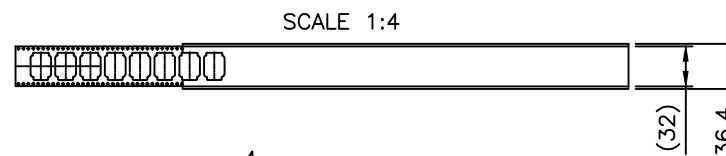
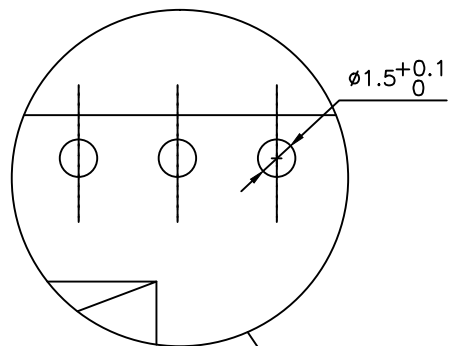
mat'l. code		surface		tolerance		projection		product family	
		ISO 1302		ISO 406 ISO 1101				MOD JACK	
ltr		ecn no		date		tolerances unless otherwise specified		title	
H		F05-0247		DLE 05.09.12		±0.13		SMT RA JACK	
J		F06-0240		DLE 06.07.18		mm		4 POS NARROW INSIDE	
K		F09-0070		LSA 02.07.21		±2'		scale 2:1	
L		B-15798		JFA 13.09.09		dr		D LEGRAND 04.10.18	
M		F-21888		AMA 15.09.09		engr		P NIZZI 04.10.18	
G		F04-0363		DLE 04.10.18		appd		chr D LEGRAND 04.10.18	
sheet		revision		M		F		B	
index		sheet		1		2		3	
								type CUSTOMER Drawing	
								dwg no 73327 sheet 1 of 3 size A3	



Copyright FCJ FCIconnect.com

PRODUCT NUMBER
SEE SHEET 1

LTR	PART NAME	QTY
1	PRODUCT	280
2	TAPE	1
3	REEL	1
4	COVER TAPE	1



1- IN ACCORDANCE WITH EIA-481 AND IEC 296-3

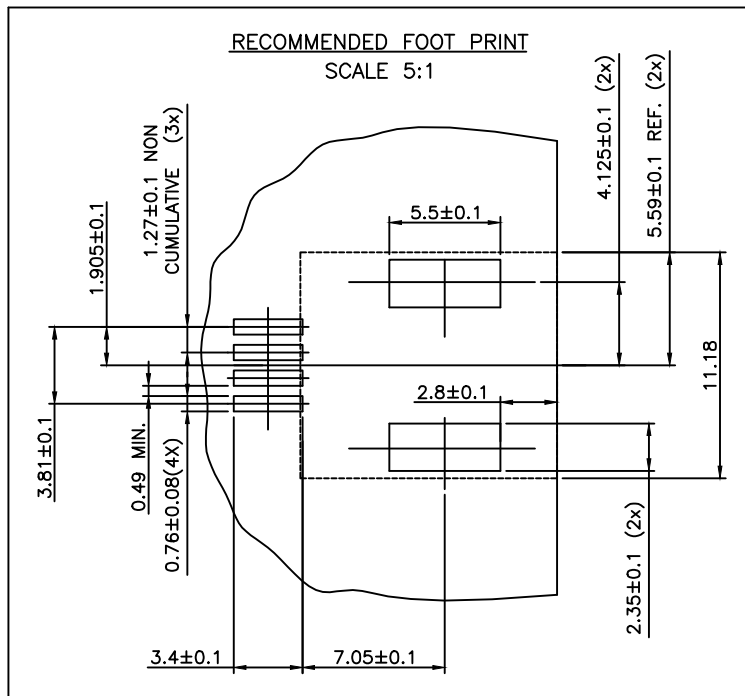
CUSTOMER COPY FOR REFERENCE ONLY

mat'l. code		surface		tolerance		projection		product family	
		ISO 1302		ISO 406 ISO 1101				MOD-JACK	
ltr		ecn no		dr		date		title	
E		F90120		DLE		99.02.01		SMT RA JACK	
F		F06-024Q		DLE		06.07.18		4 POS. NARROW INSIDE	
				angles		Linear		scale 1:1	
				dr		D LEGRAND		06.07.18	
				engr		P NIZZI		06.07.18	
				chr		D LE		06.07.18	
				appd		P NZ		06.07.18	
sheet index		revision sheet						dwg no	
								73327	
								sheet 2 of 3	
								size	
								A3	
								type	
								CUSTOMER Drawing	



FCconnect.com

Copyright FCJ



FCIconnect.com

Copyright FCI

CUSTOMER COPY FOR REFERENCE ONLY

mat'l. code		surface ISO 1302 <input checked="" type="checkbox"/> ISO 406 ISO 1101		tolerance ISO 406 ISO 1101		projection 		product family MOD JACK	
ltr		ecn no		dr		date		title	
A		F04-0363		DLE		04.10.18		SMT RA JACK	
B		F06-0240		DLE		06.07.18		4 POS NARROW INSIDE	
				angles		linear		scale 2:1	
				±2'				mm	
				dr		D LEGRAND 04.10.18		dwg no	
				engr		P NIZZI 04.10.18		sheet 3 of - size	
				chr		D LEGRAND 04.10.18		73327 A4	
				appd		P NZ 04.10.18		type	
								CUSTOMER Drawing	
sheet index		revision sheet							



form: A4