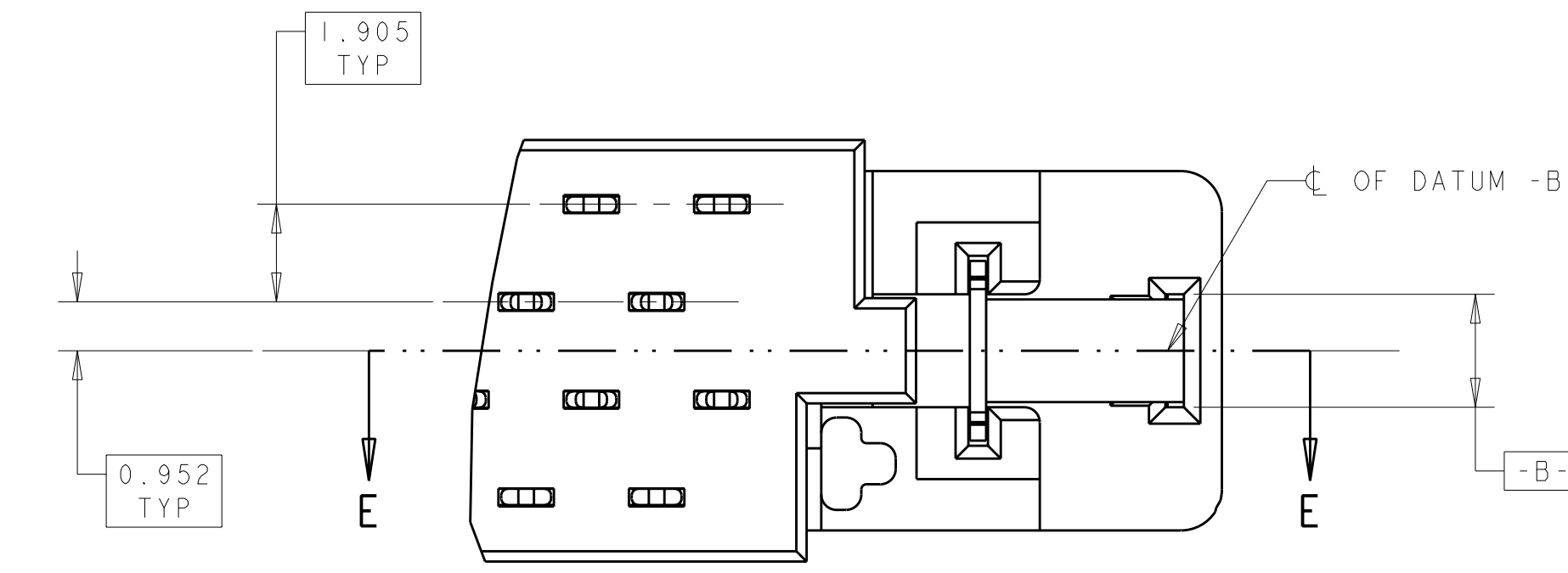
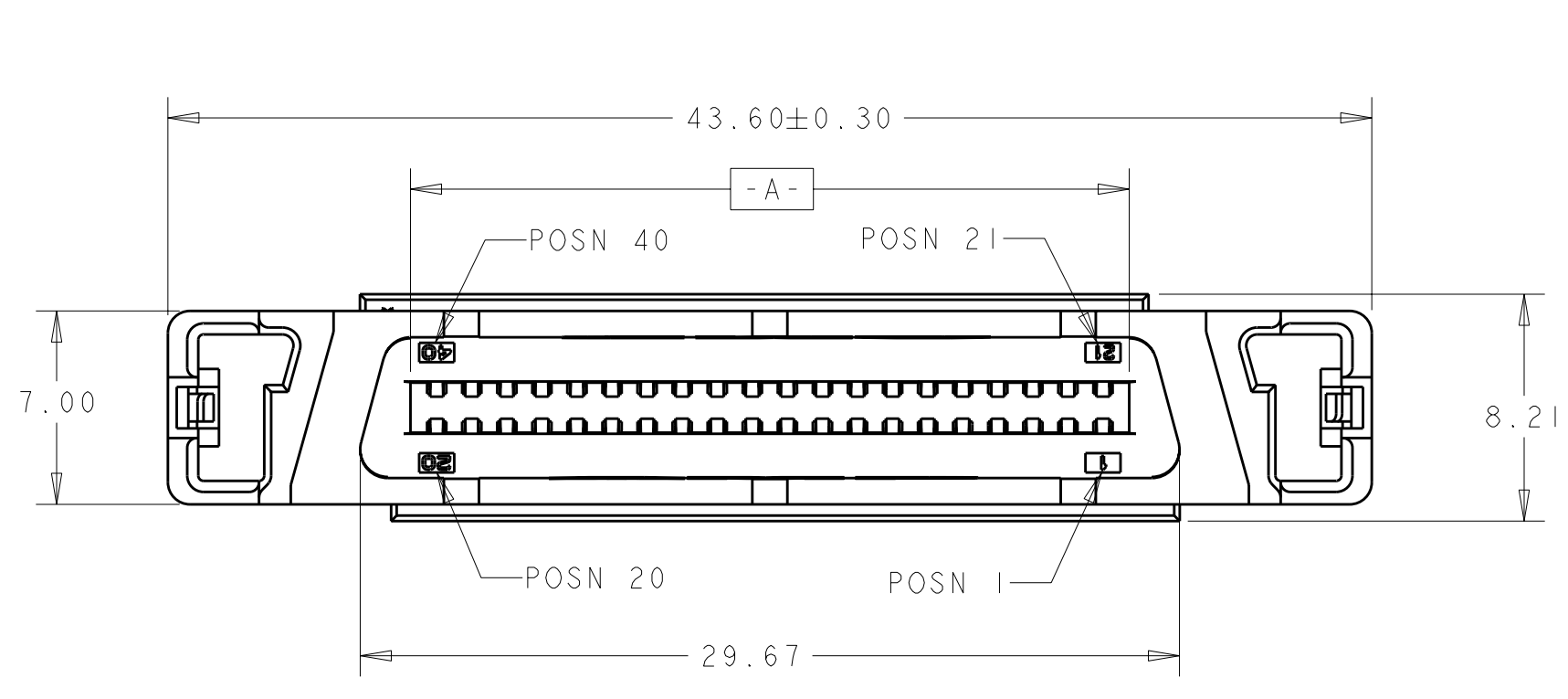
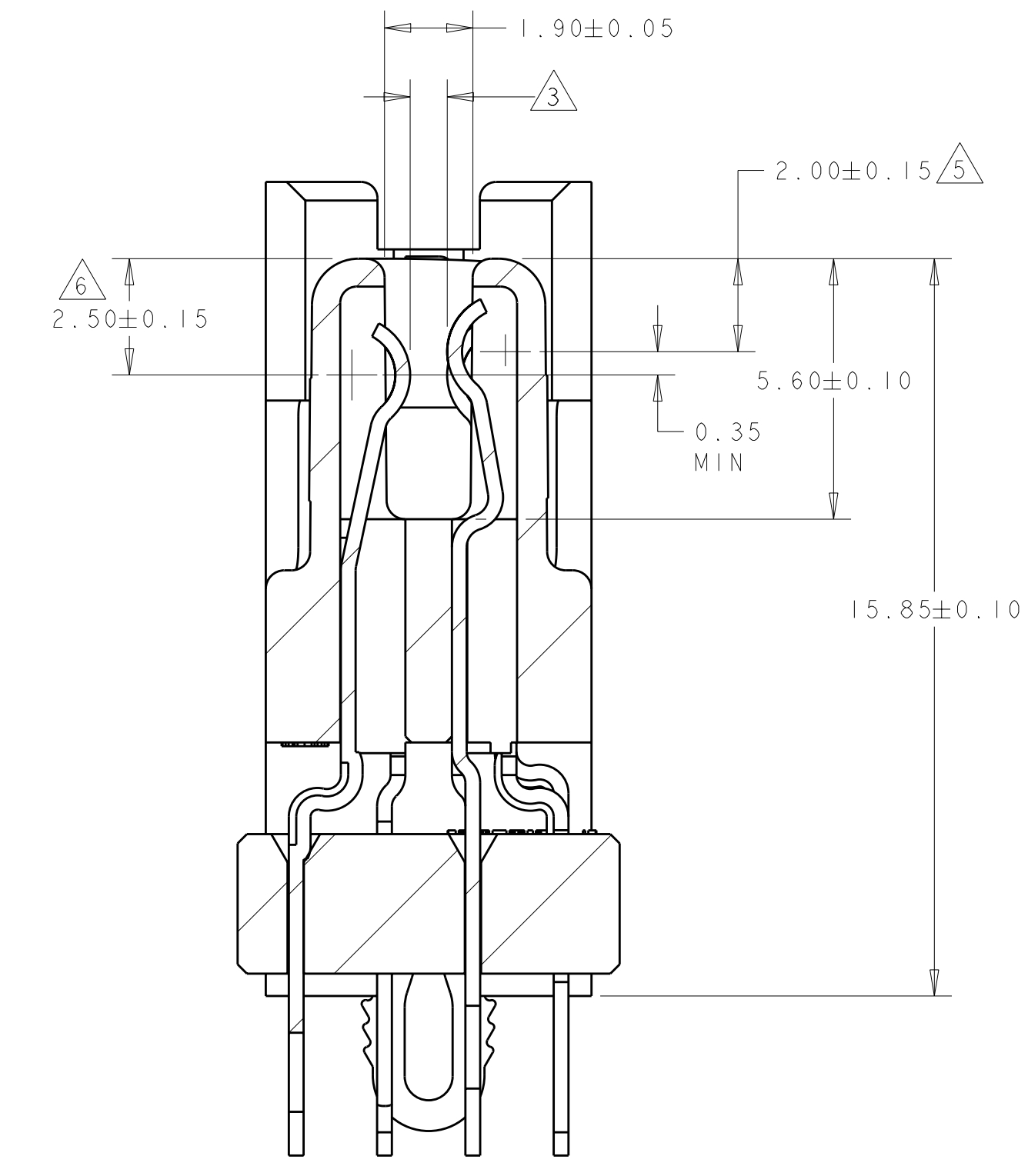


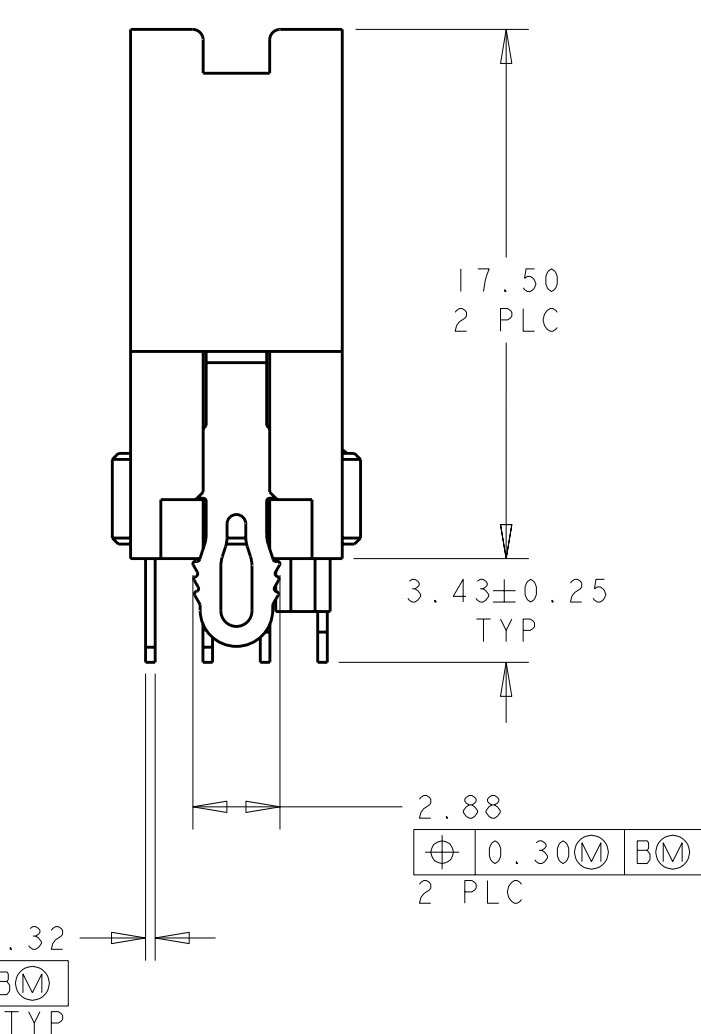
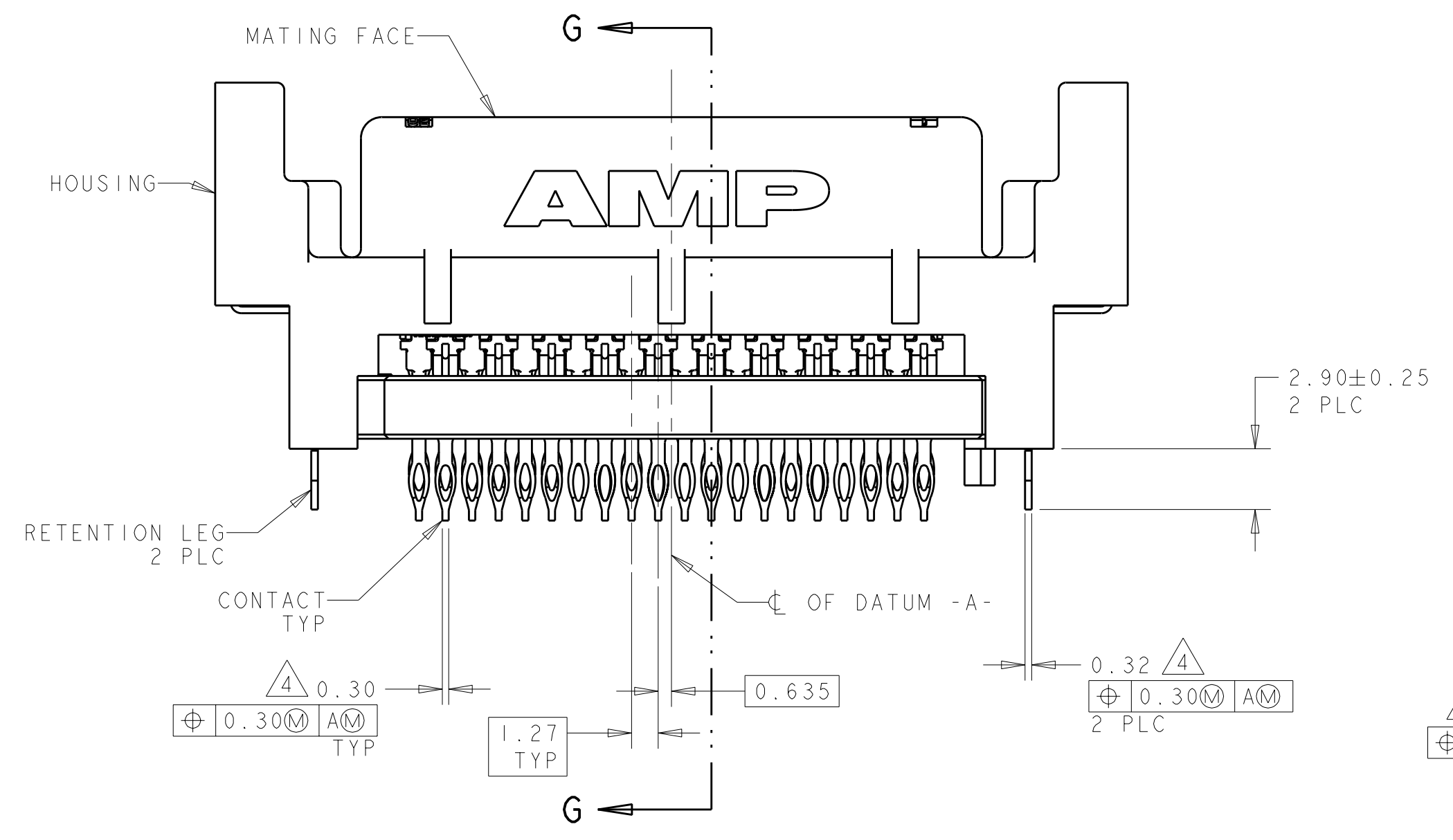
LOC	DIST	REV	DESCRIPTION	DATE	DWN	APPD
GP	00	D2	REVISED ECR-10-020893	110CT10	AZ	M.W



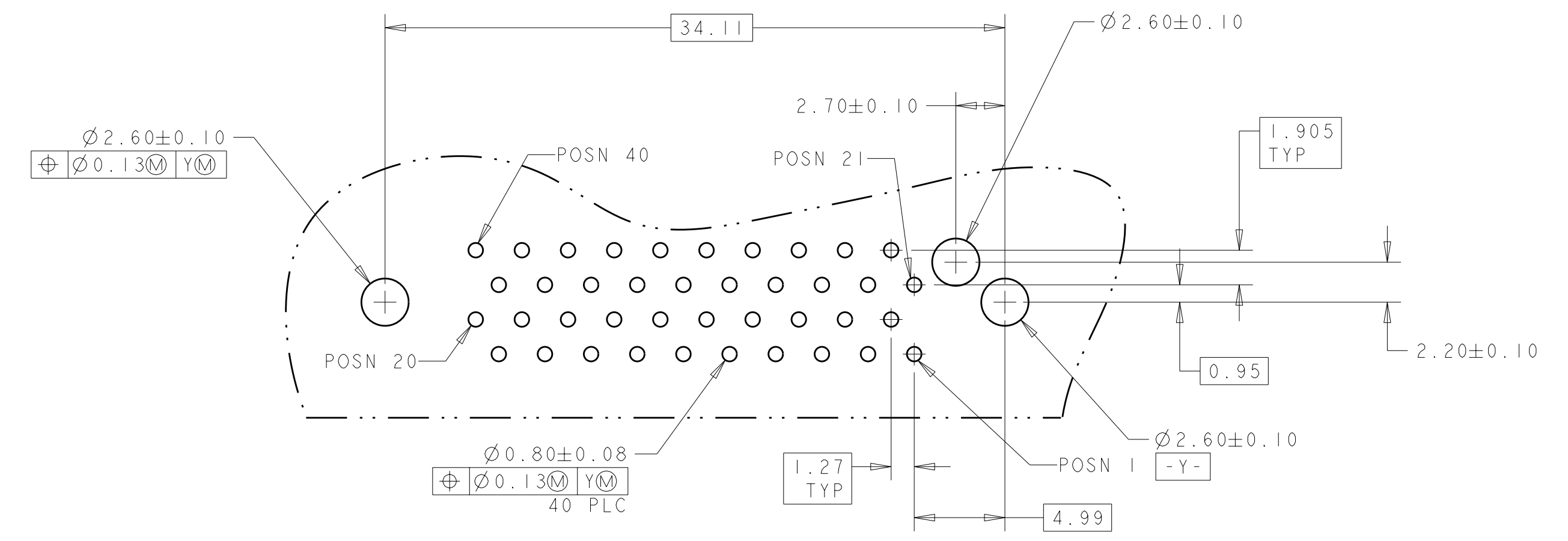
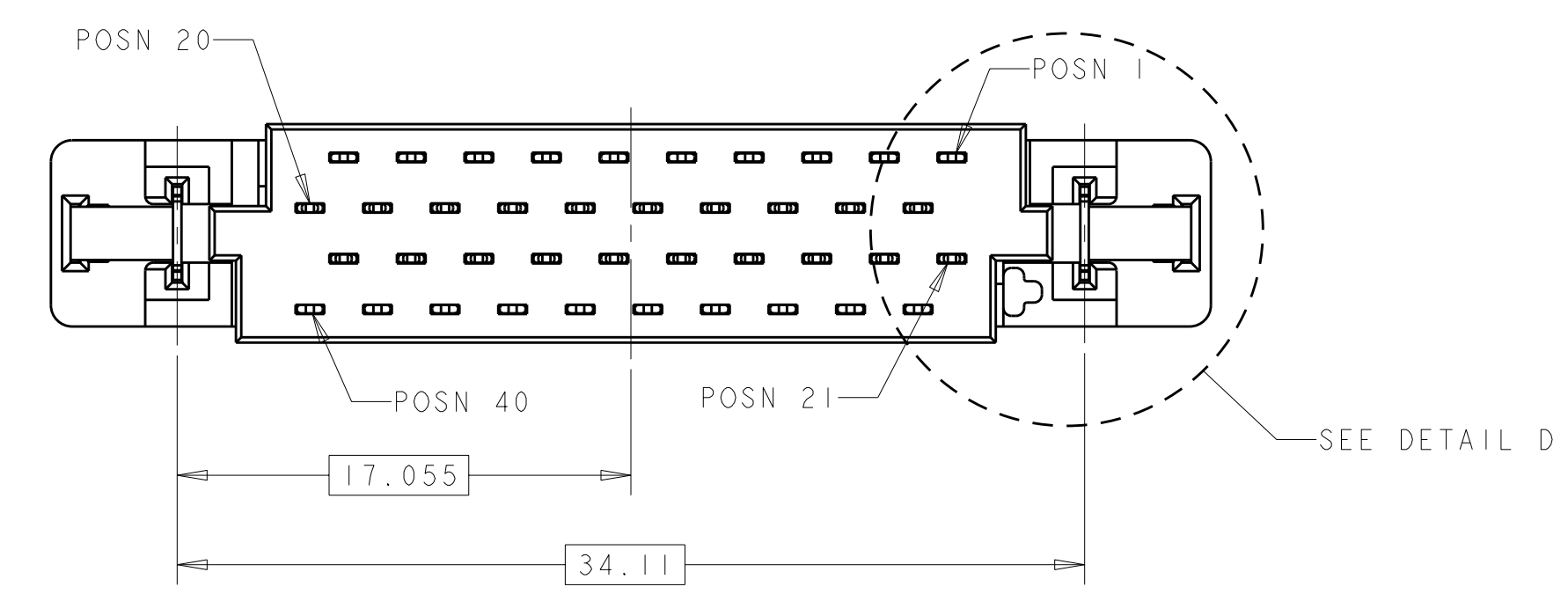
DETAIL D
SCALE 8:1



SECTION G-G
SCALE 8:1



SECTION E-E



RECOMMENDED PC BOARD MOUNTING DIMENSIONS
COMPONENT SIDE
SCALE 4:1

- 1 HOUSING: LCP, UL 94V-0 RATED, BLACK
CONTACTS: PHOSPHOR BRONZE.
RETENTION LEG: BRASS.
- 2 CONTACTS: 0.76µm GOLD FOR A LENGTH OF 1.90 MIN STARTING 0.40 MAX FROM MATING END. 1.27µm-3.81µm TIN-LEAD FOR A LENGTH OF 3.43 MIN FROM OPPOSITE END. BOTH OVER 1.27µm MIN NICKEL.
- 3 CONNECTOR WILL ACCOMMODATE MATING PRINTED CIRCUIT BOARD OF 1.60±0.07 THICKNESS.
- 4 POSITION TOLERANCE APPLIES AT CONTACT TIP ONLY.
- 5 DIMENSION APPLIES TO CONTACTS 21,22,23,26,29,32 AND 35 THRU 40 .
- 6 DIMENSION APPLIES TO CONTACTS 1 THRU 20, 24,25,27,28,30,31,33 AND 34.
- 7 RETENTION LEG: 3.81 µm MIN TIN-LEAD OVER 1.27µm MIN NICKEL.
- 8 RECOMMENDED PC BOARD THICKNESS IS 2.36 TO 3.81.
- 9 CONTACTS: 0.76µm GOLD FOR A LENGTH OF 1.90 MIN STARTING 0.40 MAX FROM MATING END. 1.27µm-3.81µm TIN FOR A LENGTH OF 3.43 MIN FROM OPPOSITE END. BOTH OVER 1.27µm MIN NICKEL.
- 10 RETENTION LEG: 3.81 µm MIN TIN OVER 1.27µm MIN NICKEL.

YES	9	10	788389-2
NO	10	10	788389-1
LEAD FREE	FINISH	PART NUMBER	

<small>THIS DRAWING IS A CONTROLLED DOCUMENT FOR AMP INCORPORATED. ALL DIMENSIONS ARE TO BE TAKEN FROM THE LATEST REVISION. ORGANIZATION SHOULD BE CONTACTED FOR THE LATEST REVISION.</small>		DWN: J RUDY 19MAY98 CHK: D DEFIBAUGH 19MAY98 APVD: D DEFIBAUGH 19MAY98	Tyco Electronics Harrisburg, PA 17105-3608
DIMENSIONS: mm TOLERANCES UNLESS OTHERWISE SPECIFIED: 0 PLC ± 1 PLC ±0.13 2 PLC ± 3 PLC ± 4 PLC ± ANGLES ±	NAME: RECEPTACLE ASSEMBLY, PRESS FIT, EXTENDED HEIGHT, VERTICAL, 40 POSN, SERIES 1, CHAMP BLINDMATE PRODUCT SPEC: - APPLICATION SPEC: - MATERIAL: - FINISH: - WEIGHT: - CUSTOMER DRAWING: -	SIZE: A1 CASE CODE: 00779 DRAWING NO: C=788389 SCALE: 4-1 SHEET: 1 of 1 REV: D2	OBSOLETE: YES/NO LEAD FREE: YES/NO FINISH: 9/10 PART NUMBER: 788389-2/788389-1