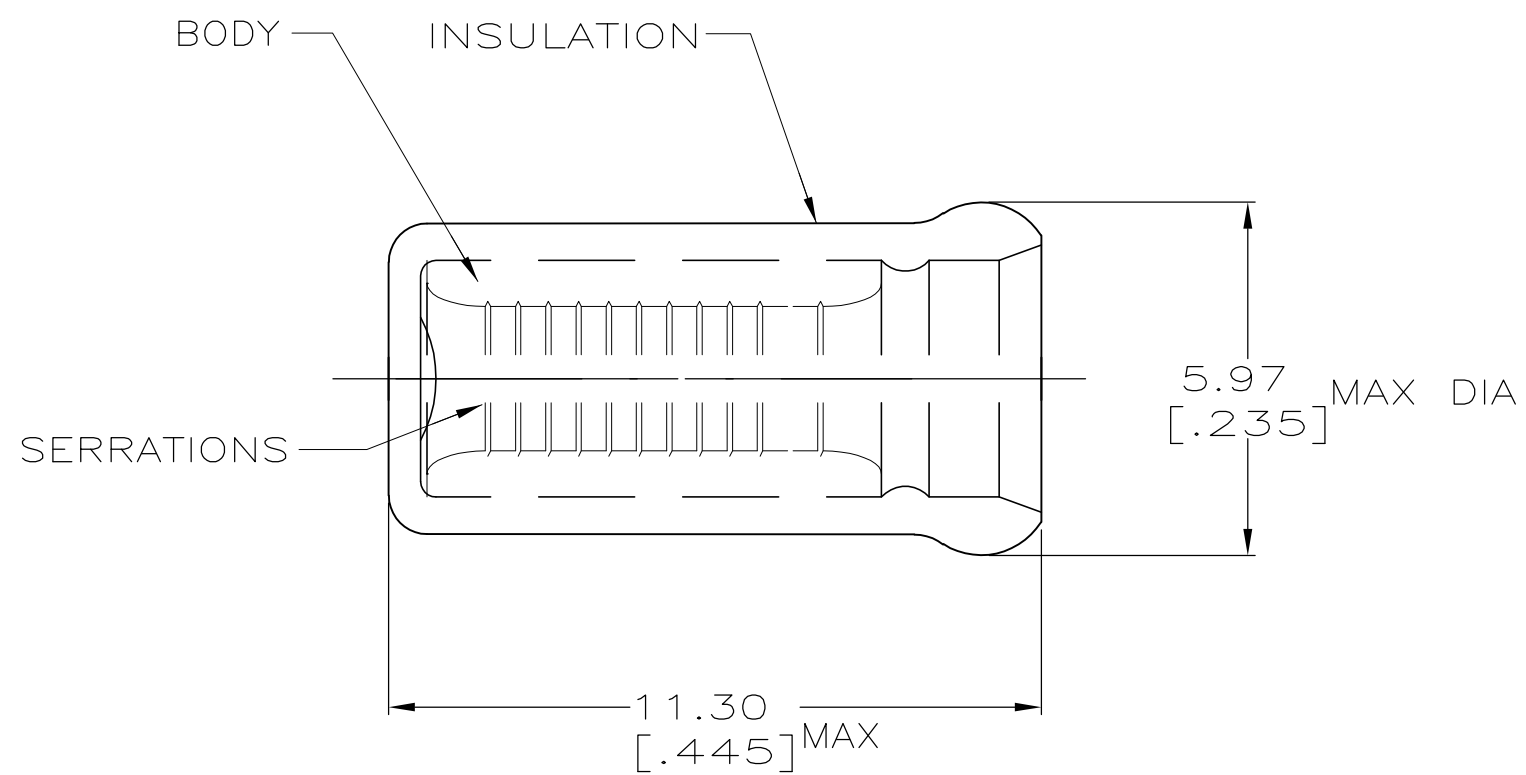


THIS DRAWING IS UNPUBLISHED. RELEASED FOR PUBLICATION  
 © COPYRIGHT - By - ALL RIGHTS RESERVED.

LOC	DIST	REVISIONS					
G	14	P	LTR	DESCRIPTION	DATE	DWN	APVD
			H1	REVISED PER ECO-11-004917	11MAR11	RK	HMR



1. USE FOR STRIPPED (SINGLE) WIRE END ONLY
2. WIRE INSUL DIA, 3.78 [.149] MAX

-	100	LOOSE PIECE, BOX	8-328308-1
MS25274/3 CLASS 2	2500	ON TAPE, REEL	2-328308-1
MS25274/3 CLASS 1 & 2	1000	LOOSE PIECE	328308
MILITARY P/N & CLASS	QTY	PACKAGE TYPE	PART NO

AMP INCORPORATED CUSTOMER SERVICE SYSTEM		MAX RECOMMENDED OPERATING TEMPERATURE: 105° C [221° F]	THIS DRAWING IS A CONTROLLED DOCUMENT.		DWN L OLMEDA 21MAR96	TE Connectivity NAME SPARE WIRE CAP, WIRE SIZE, 16-14 AWG
FOR ADDITIONAL PRODUCT INFORMATION OR COPIES OF DRAWINGS AND TECHNICAL DOCUMENTS	PRODUCT INFORMATION CENTER 1-800-522-6752		VOLTAGE RATING: -	DIMENSIONS: mm [in]	TOLERANCES UNLESS OTHERWISE SPECIFIED:	
FOR APPLICATION TOOLING INFORMATION	TOOLING ASSISTANCE CENTER 1-800-722-1111	CIRCULAR MIL AREA: 1.04mm <sup>2</sup> -2.62mm <sup>2</sup> [2,050-5,180]		0 PLC ± - 1 PLC ± - 2 PLC ± 0.20 [.008] 3 PLC ± - 4 PLC ± - ANGLES ± -	APVD K FERREK 21MAR96	
FOR ORDER ENTRY	1-800-526-5142	MATERIAL BODY, CU PER ASTM B152 INSUL, NYLON, COLOR, BLUE	FINISH BODY, TIN PLATE PER MIL-T-10727	PRODUCT SPEC -	APPLICATION SPEC -	
					WEIGHT -	SIZE A3
						CAGE CODE 00779
						DRAWING NO G-328308
						RESTRICTED TO -
						SCALE 8:1
						SHEET 1 OF 1
						REV H1