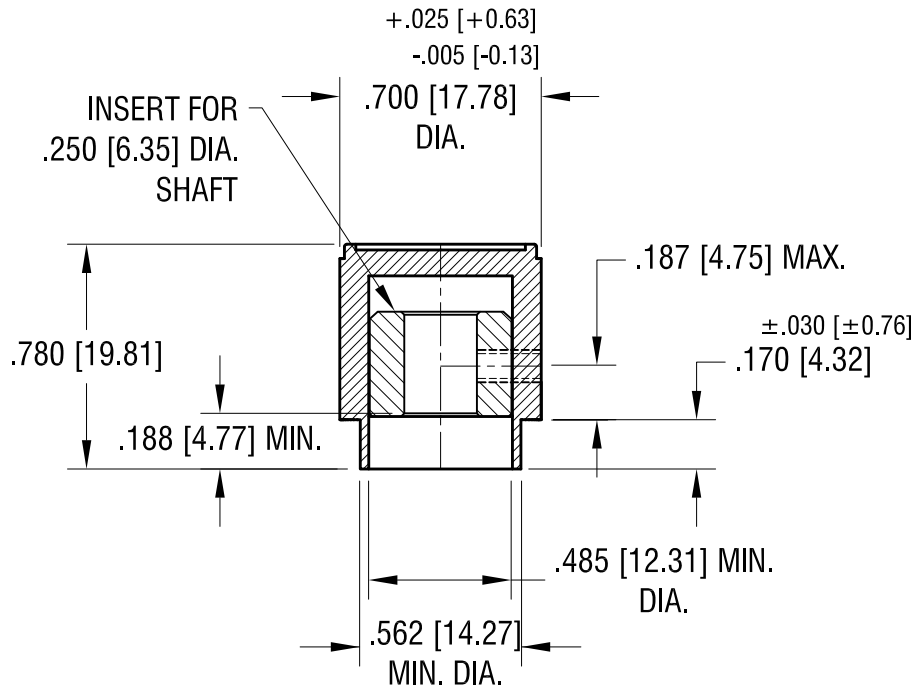
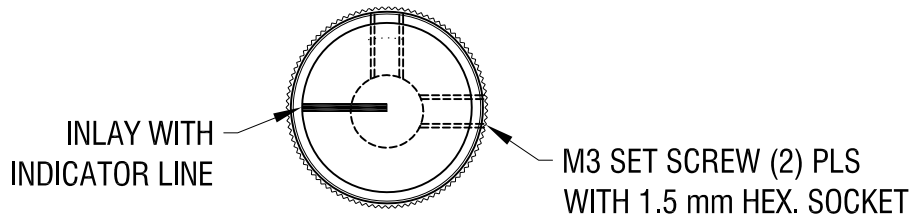
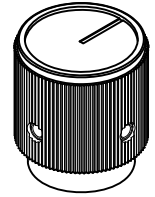


THIS DOCUMENT IS THE PROPERTY OF
KEYSTONE ELECTRONICS CORP. AND
SHALL NOT BE REPRODUCED, DISTRIBUTED
OR USED AS A BASIS FOR MANUFACTURE
WITHOUT PRIOR WRITTEN PERMISSION
FROM KEYSTONE ELECTRONICS CORP.

ACTUAL SIZE



NOTES:

1. KNOB: MAT'L: ABS, BLACK
INLAY: MAT'L: SPUN ALUMINUM WITH INDICATOR LINE.
2. INSERT: MAT'L: BRASS
FINISH- NICKEL PLATE
3. SCREWS: MAT'L: STEEL
FINISH- BLACK OXIDE

7.26.16	CHANGE AS PER ECN 16-076	D
8.08.08	CHANGE AS PER ECN08-135	C
10.19.07	CHANGE AS PER ECN 07-067	A
DATE	DESCRIPTION	REV.

KEYSTONE ELECTRONICS CORP.			
www.keyelco.com • ASTORIA, N.Y. 11105-2017 • Tel (718) 956-8900			
PART NAME		KNOB	
MATERIAL		AS NOTED	
FINISH	AS NOTED	DRN BY	BOONE
		APP'D	LN
		DATE	6.28.07
		SCALE	1.5X
TOLERANCES	INCH [MM]	CODE	DWG NO.
DECIMAL	± .015 [± 0.38]	C	8555
ANGULAR	± 1°		
UNLESS OTHERWISE SPECIFIED			