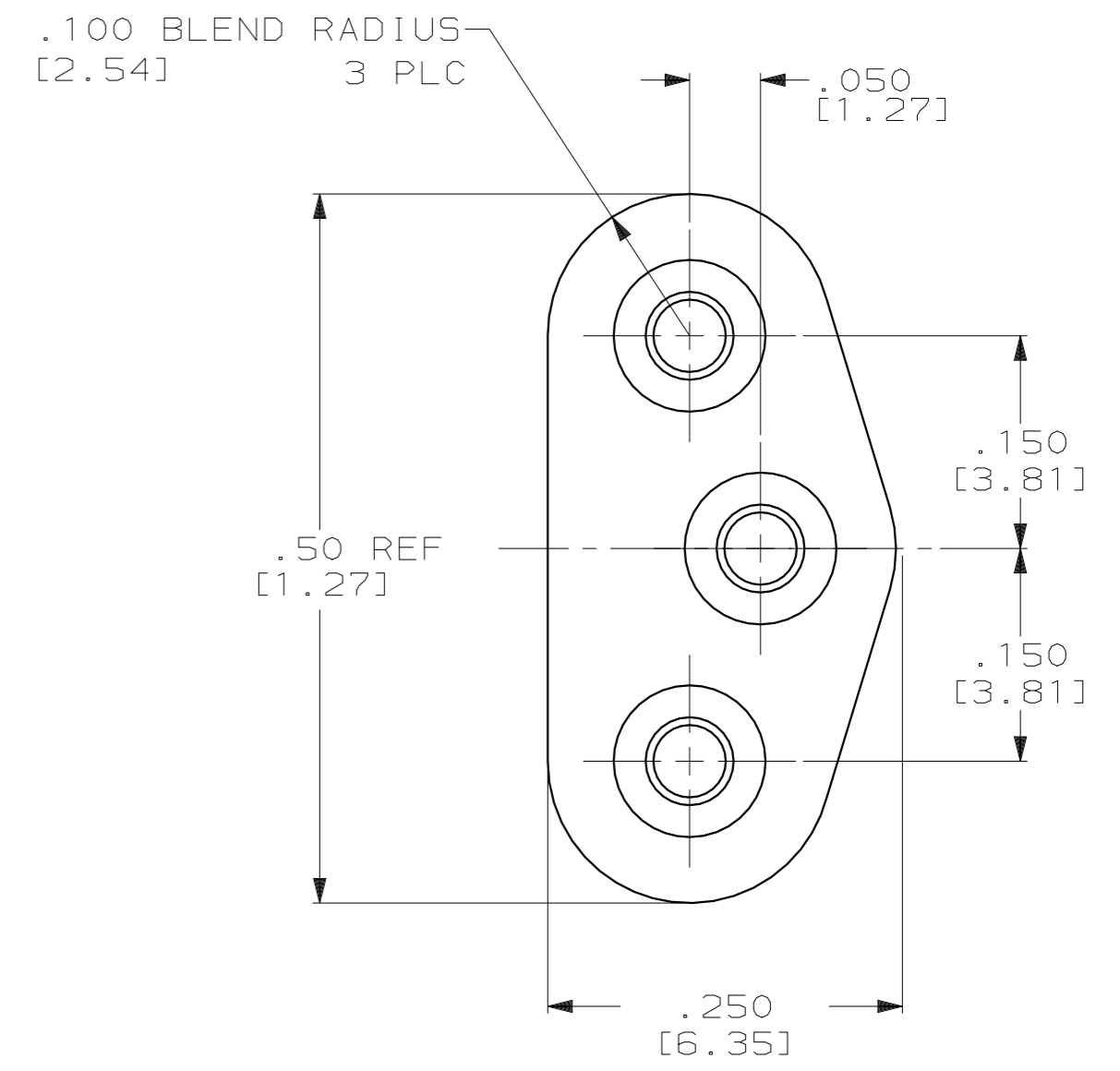
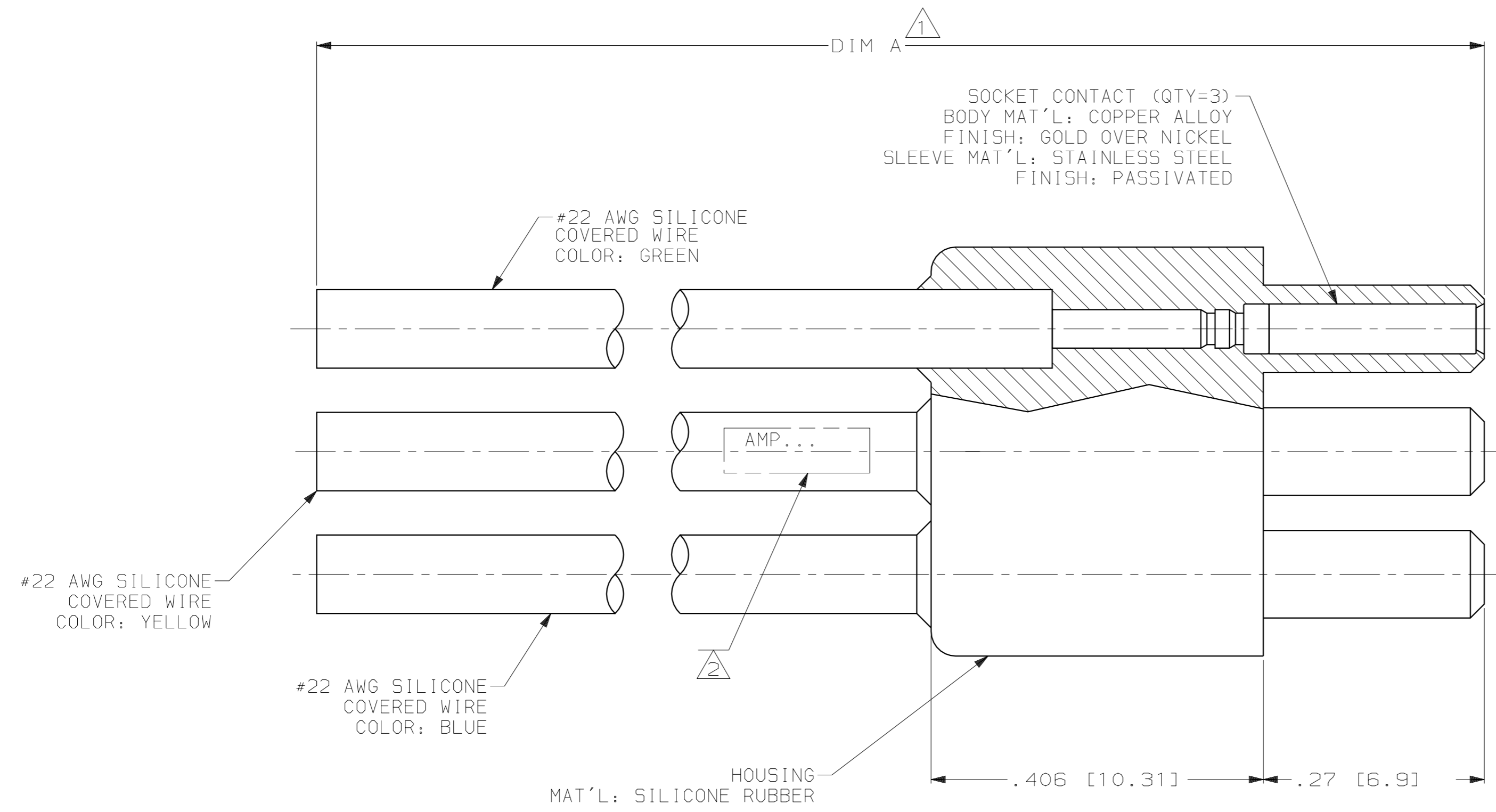


THIS DRAWING IS UNPUBLISHED. RELEASED FOR PUBLICATION
 BY AMP INCORPORATED. ALL RIGHTS RESERVED.

LOC	DIST	REVISIONS			
P	LTR	DESCRIPTION	DATE	DWN	APVD
DF	SO	H	REV PER 0H14-0101-04	2-04	CT DE



1 TOLERANCE: UP TO 24.00 [609.6] ±.12 [3.0]
 24.00 [609.6] AND UP ±1%

2 AMP INFO MARKED PER MIL-STD-130.

	80.00 [2032.0]	862424-5
	48.00 [1219.2]	862424-4
OBSOLETE	24.00 [609.6]	862424-3
	18.00 [457.2]	862424-2
	12.00 [304.8]	862424-1
	A DIM	PART NO.

THIS DRAWING IS A CONTROLLED DOCUMENT.		DWN C.C.THOMAS 1/26/99	AMP Incorporated Harrisburg, PA 17105-3608	
DIMENSIONS: INCHES [mm]		CHK D.EABY 2-5-99	NAME PLUG, LGH, 3 POSN., MICRO-MIN	
TOLERANCES UNLESS OTHERWISE SPECIFIED:		APVD D.EABY 2-5-99	SIZE A2	
0 PLC ±-		PRODUCT SPEC	CAGE CODE 00779	DRAWING NO C-862424
1 PLC ±-		APPLICATION SPEC	RESTRICTED TO	
2 PLC ±.02 [0.5]			SCALE 8:1	SHEET 1 OF 1
3 PLC ±.005 [0.13]		WEIGHT	REV H	
4 PLC ±-				
ANGLES ±-		CUSTOMER DRAWING		
FINISH -				