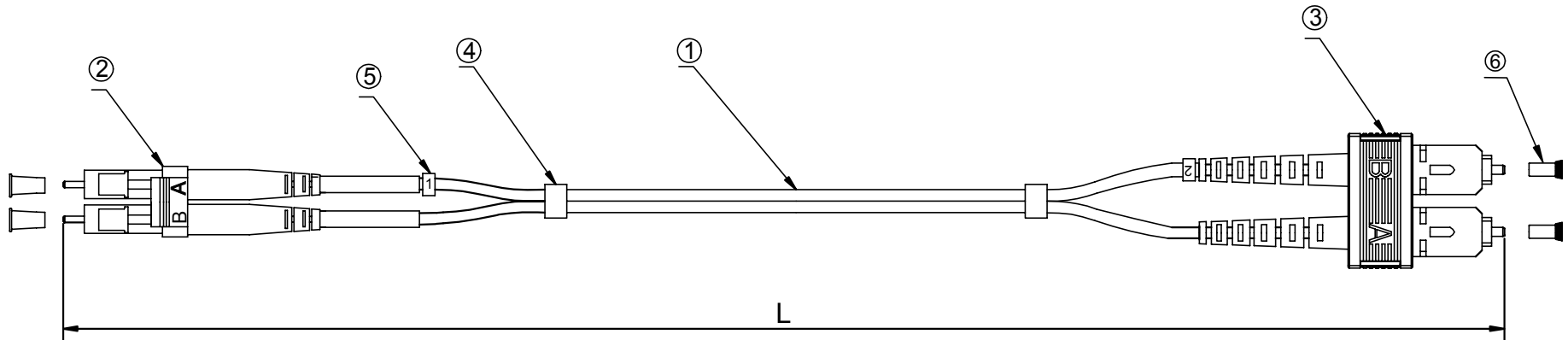


RoHS
Compliant

VERSION	DESCRIPTION	DATE
1.0	New Release	2018/3/30



PART NO	DRAWING NO	CABLE LENGTH "L"	COLOR
912M-2-3-00100-PL	671-453-A	1000±100	Aqua
912M-2-3-00200-PL	671-453-B	2000±100	Aqua
912M-2-3-00300-PL	671-453-C	3000±100	Aqua
912M-2-3-00500-PL	671-453-D	5000±100	Aqua
912M-2-3-00700-PL	671-453-E	7000±100	Aqua
912M-2-3-01000-PL	671-453-F	10000±100	Aqua
912M-2-3-01500-PL	671-453-G	15000±100	Aqua
912M-2-3-02000-PL	671-453-H	20000±100	Aqua
912M-2-3-02500-PL	671-453-I	25000±100	Aqua

NOTES:

Insertion loss < 0.3 dB

CnC Tech, LLC
Industrial Cable and Connector Technology

6	Dust Cover
5	$\frac{1}{z}$ Code
4	Shrinkage Tube
3	SC MM Duplex Connector (Beige housing Red/black boot)
2	LC MM Duplex Connector (Beige housing White boot)
1	2.0mm,Duplex,MM-50/125 OM3, OFNP, Optical Fiber Cable(Aqua)
No.	Description

		TITLE	Patch Cord, LC-SC,MM-50/125 OM3, Duplex, OFNP, aqua, 2.0mm, xxm		
UNIT	mm	P/N	above	DRAWN BY	
<small>unless otherwise stated</small> <small>Tolerances</small> mm angular XX.XX ±0.3 ±2° XX.XX ±0.2 X.XX ±0.1		Customer P/N	912M-2-3-0xxxx-PL	CHECK BY	
SIZE	SCALE	PAGE	1/1	APPROVAL BY	
A4	Free				