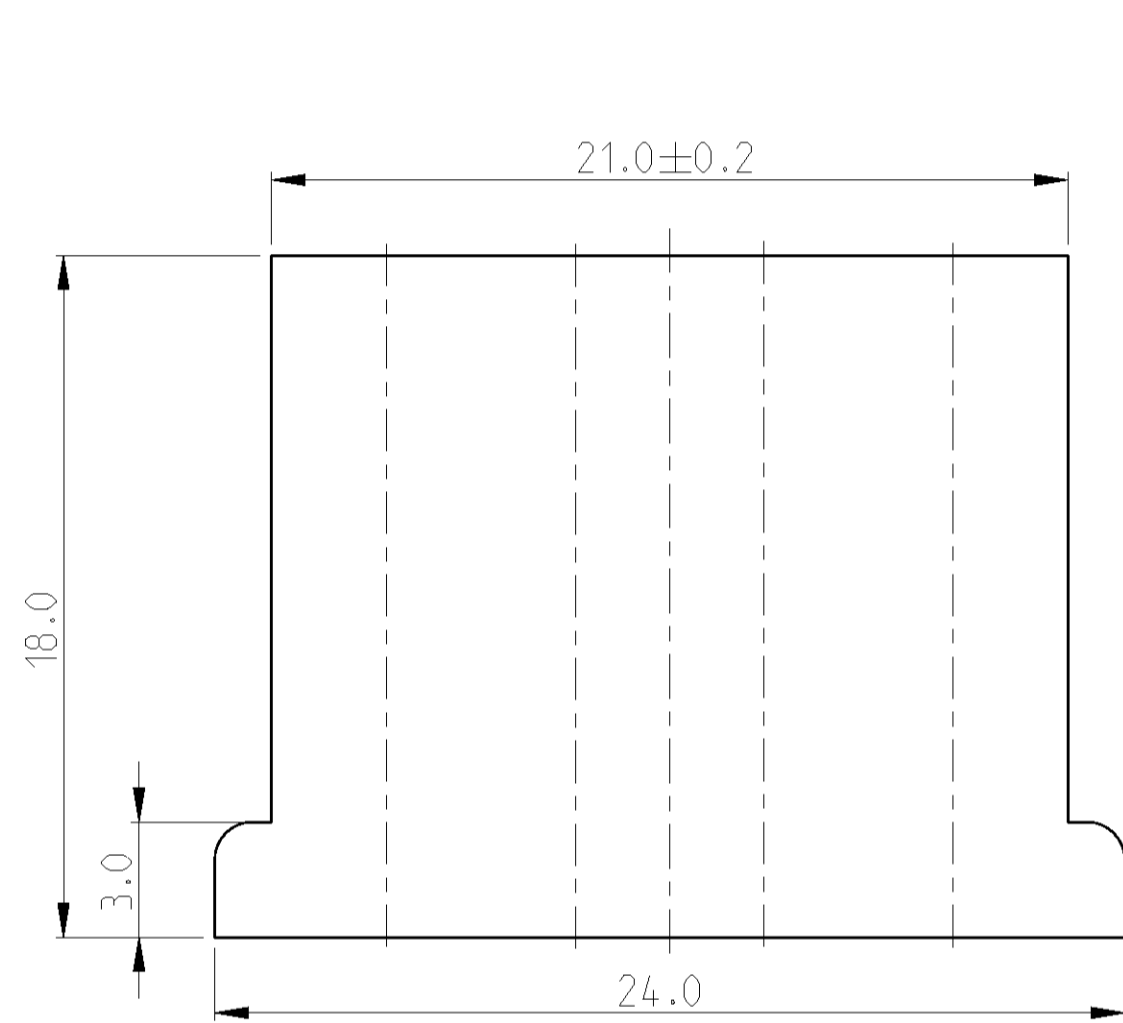
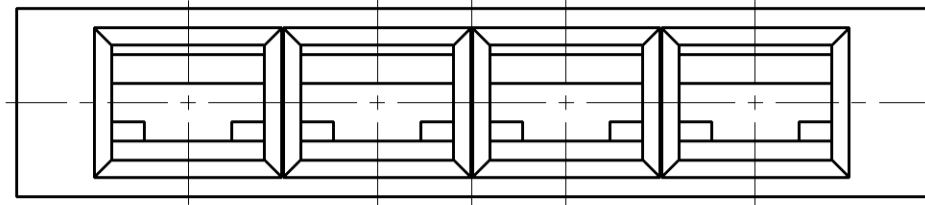
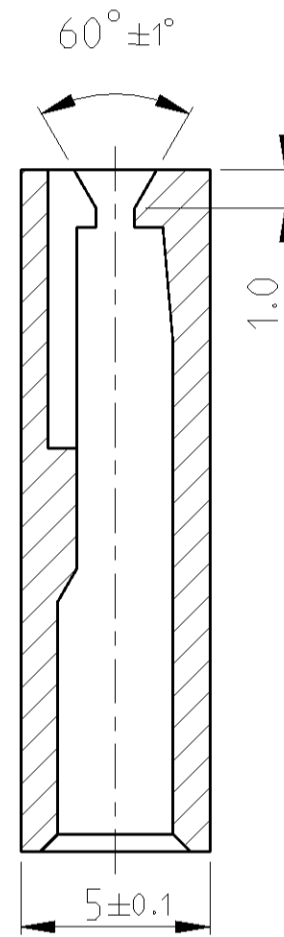


THIS DRAWING IS UNPUBLISHED. RELEASED FOR PUBLICATION 2009  
 © COPYRIGHT 2009 ALL RIGHTS RESERVED.

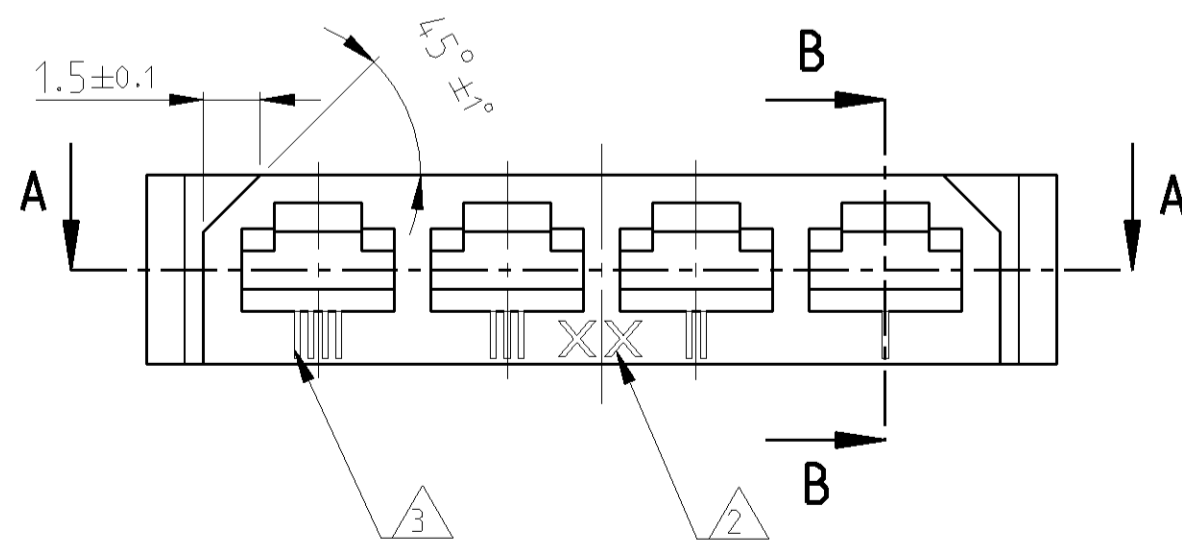
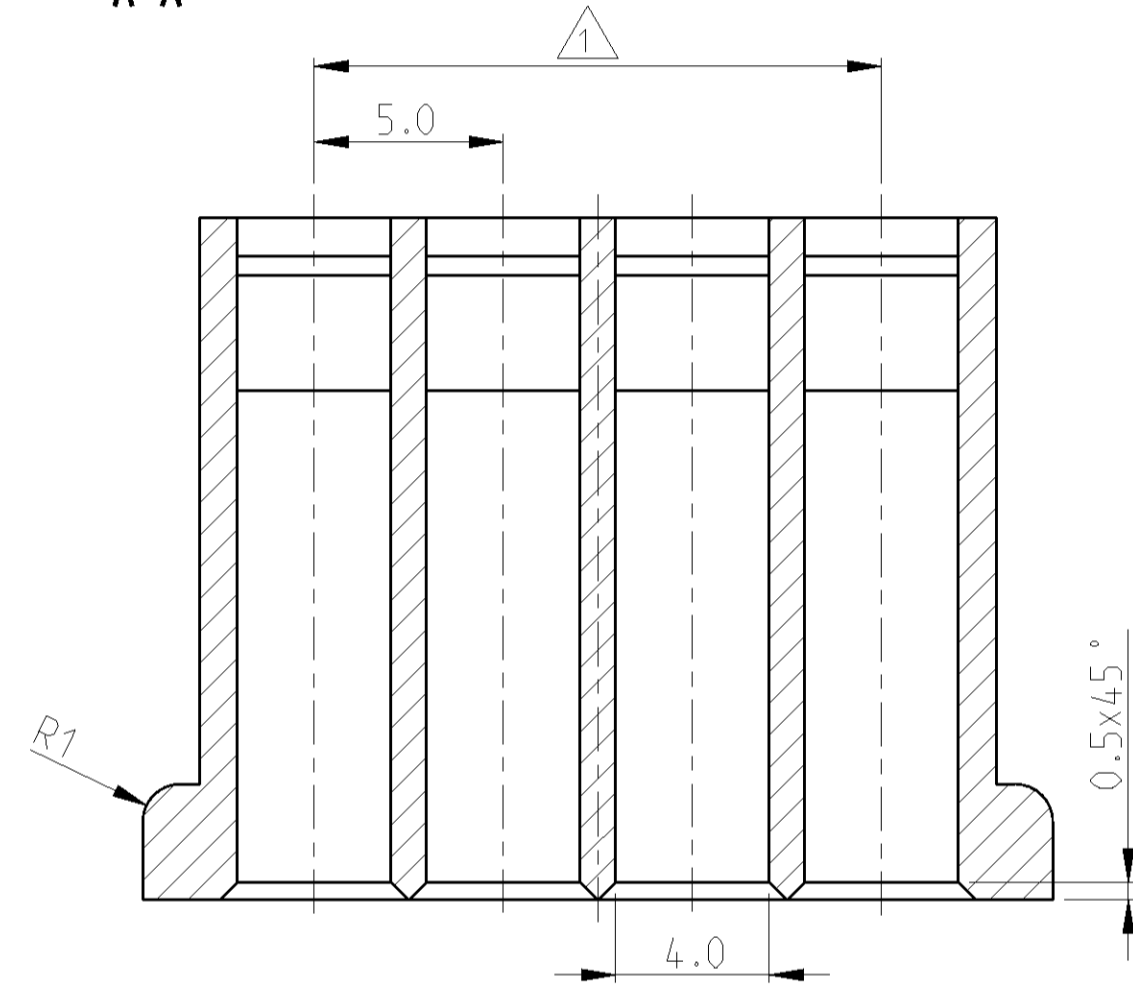
LOC		DIST		REVISIONS			
P	LTR	DESCRIPTION	DATE	DWN	APVD		
A1	-						
B	-						
C	-	Tolerance $\pm 0.1$ was $-0.1$	23SEP1971	-	-		
C1	-	new drawing created: dimension $21.0 \pm 0.2$ was $21.0 \pm 0.1$ (conversation failure)	02SEP2009	Kirsch.	Stre.		
C2	-	Cavity identification added	31MRZ2011	Hom.	Stre.		



B-B

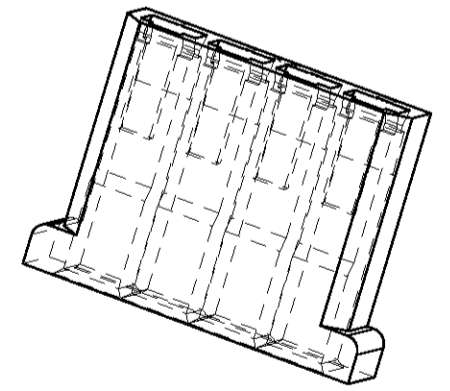


A-A



NOTE: Bemerkungen:

- 1 TOLERANCE FOR ANY DIVISION  $\pm 0.1$  mm  
Toleranz beliebiger Teilungen  $\pm 0.1$  mm
- 2 MOULD CAVITY NUMBER  
Werkzeugnestzahl
- 3 CAVITY IDENTIFICATION  
Kammerbezeichnung



2:1

925016-0	NYLON	NATURAL
PART NO.	MATERIAL	COLOUR

THIS DRAWING IS A CONTROLLED DOCUMENT.		DWN 02SEP2009 J.Kirschbaum	TE Connectivity	
DIMENSIONS: mm		CHK 03SEP2009 E.Stredak		
TOLERANCES UNLESS OTHERWISE SPECIFIED: $\pm 0.2$ mm		APVD 04SEP2009 M.Bleicher	NAME 4POS. FASTIN-FASTON REC. HSG. SER.110 4pol. F.F. Steckhuelsengehaeuse SERIE 2.8	
MATERIAL SEE TABLE		PRODUCT SPEC APPLICATION SPEC	SIZE A2	CAGE CODE 00779
		WEIGHT -	DRAWING NO G-925016	RESTRICTED TO -
		CUSTOMER DRAWING	SCALE 5:1	SHEET 1 OF 1