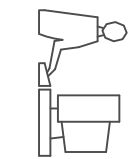
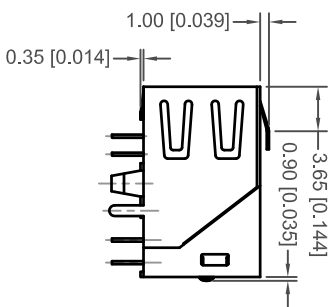
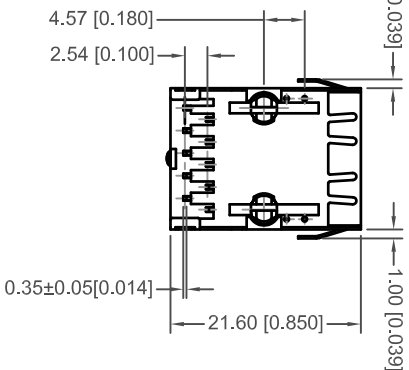
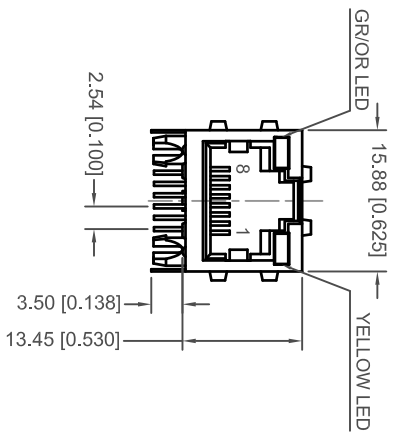
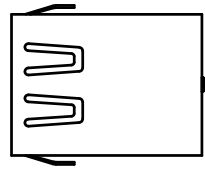


TOLERANCE UNLESS OTHERWISE SPECIFIED IN MM:	ANGLE	3°
0		
±0.50		
±0.38		
0.00		
±0.25		
±0.10		

THIS IS A C.A.D. GENERATED DRAWING  
DO NOT MAKE MANUAL REVISIONS TO MASTER.



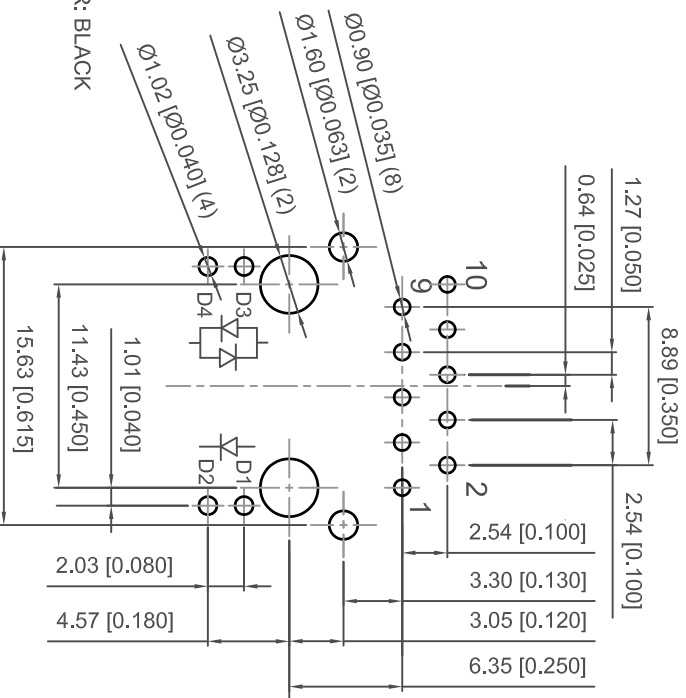
ISSUE NUMBER  
ORIGINAL



NOTES:  
1. MATERIALS:  
HOUSING: HIGH TEMPERATURE NYLON, UL94 V-0, COLOR: BLACK  
CONTACTS: 0.35MM PHOSPHOR BRONZE PLATED WITH GOLD PLATING AND TIN IN SOLDER AREA

PART NO  
A60-112-371N414 GOLD PLATING THICKNESS  
A60-113-371N414 GOLD FLASH PLATING  
A60-114-371N414 15 MICRO INCHES OF GOLD  
30 MICRO INCHES OF GOLD

SHIELD: 0.20MM COPPER ALLOY WITH NICKEL PLATING  
2. OPERATING TEMPERATURE: 0°C TO +70°C  
3. MATE WITH MODULAR PLUG CONFORMING TO FCC PART 68, SUBPART F.  
4. DIMENSION: MM [INCHES]



RECOMMENDED P.C.B. LAYOUT  
TOLERANCE: ±0.05[±0.002]

**RJ45 MAGNETIC JACK WITH LED, 10P, 8C  
SHIELDED/10/100/1000 Mbps FILTER**

ACAD REFERENCE NO.: A60-113-371N414

DRAWN: R.STA.MONICA DATE: NOV.19/2010

CHECKED: DATE:

PART NUMBER SHEET 1 OF 2

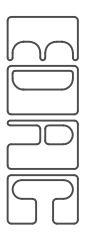
SEE NOTE

DRAWING NUMBER ISSUE

A60-112-371N414 1



THIS SERIES FULLY CONFORMS TO THE EUROPEAN UNION DIRECTIVES 2002/95/EC AND 2002/96/EC FOR ROHS COMPLIANCY.

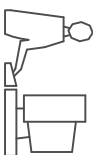


EDAC INC  
TORONTO, ONTARIO  
CANADA  
YOUR CONNECTION TO QUALITY & SERVICE

**ELECTRICAL CIRCUIT:**

TOLERANCE UNLESS OTHERWISE SPECIFIED IN MM:	0	± 0.50	ANGLE	3°
	0.0	± 0.38		
	0.00	± 0.25		
	0.000	± 0.10		

THIS IS A C.A.D. GENERATED DRAWING  
DO NOT MAKE MANUAL REVISIONS TO MASTER.

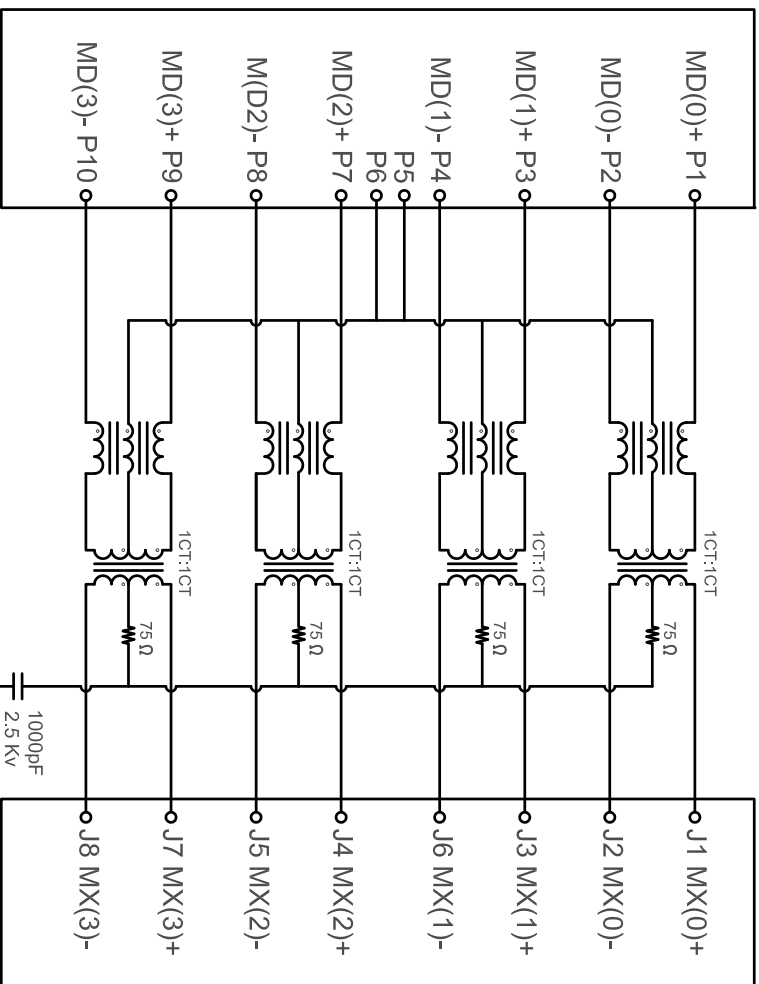


ISSUE NUMBER  
ORIGINAL

1

CONNECTOR SOLDER SIDE

RJ45 CONTACT SIDE



**LED CIRCUIT:**



**TEST NOTES:(25±5°C)**

- TR:(100KHz,0.1V); 100% PINS:(P1,P2):(J1,J2)=1:1±3%;(P3,P4):(J3,J6)=1:1±3% PINS:(P7,P8):(J4,J5)=1:1±3%;(P9,P10):(J7,J8)=1:1±3%
- LX:(100KHz,100mV,8mA,DC Bias) 100% PINS:(P1,P2),(P3,P4),(P7,P8),(P9,P10)=350uH MINIMUM
- DCR: 100% PINS:(P1,P2),(P3,P4),(P7,P8),(P9,P10)≅1.0 MAXIMUM PINS:(J1,J2),(J3,J6),(J4,J5),(J7,J8)=1.0nMAXIMUM
- HPOT: 100% PINS:(P1,P2)TO(J1,J2),(P3,P4)TO(J3,J6)=1500VAC FOR 60 SECONDS PINS:(P7,P8)TO(J4,J5),(P9,P10)TO(J7,J8)=1500VAC FOR 60 SECONDS
- INSERTION LOSS: -0.8dB MAXIMUM AT 0.3MHZ TO 100MHZ; -1.2dB MAXIMUM AT 100MHZ TO 120MHZ
- RETURN LOSS: -18dB MINIMUM AT 0.5MHZ TO 40MHZ; -12+20Log(f/80MHZ)dB MINIMUM AT 40MHZ TO 100MHZ
- CROSS TALK: -33+20Log(f/100MHZ)dB MINIMUM AT 0.1MHZ TO 100MHZ
- COMMON TO DIFFERENTIAL MODE REJECTION: -35dB MINIMUM AT 300KHZ TO 100MHZ
- COMMON TO COMMON MODE REJECTION: -30dB MINIMUM AT 300KHZ TO 100MHZ

Color	Lens Color	Vf(v) @20mA		Iv(mcd) @10mA		Viewing angle
		Min	Max	Min	Typ	
Orange	White Diffused	1.7	2.6	1.8	4.0	2θ1/2
Green	White Diffused	1.7	2.6	3.0	7.0	180
Yellow	Yellow Diffused	1.7	2.8	3.0	6.0	116

**RJ45 MAGNETIC JACK WITH LED, 10P, 8C SHIELDED/10/100/1000 Mbps FILTER**

ACAD REFERENCE NO.: A60-113-371N414

DRAWN: R.STA.MONICA DATE: NOV.19/2010

CHECKED: DATE:

PART NUMBER

SEE NOTE

SHEET 2 OF 2

DRAWING NUMBER

A60-112-371N414

ISSUE

1



THIS SERIES FULLY CONFORMS TO THE EUROPEAN UNION DIRECTIVES 2002/95/EC AND 2002/96/EC FOR ROHS COMPLIANCY.



EDAC INC  
TORONTO, ONTARIO  
CANADA

YOUR CONNECTION TO QUALITY & SERVICE

THESE DRAWINGS AND SPECIFICATIONS ARE THE PROPERTY OF EDAC INC. AND SHALL NOT BE REPRODUCED OR COPIED OR USED AS THE BASIS FOR THE MANUFACTURE OR SALE OF APPARATUS WITHOUT WRITTEN PERMISSION.