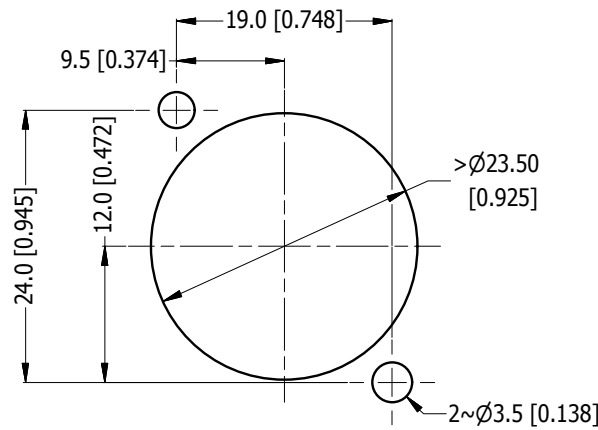
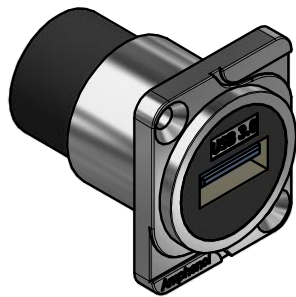
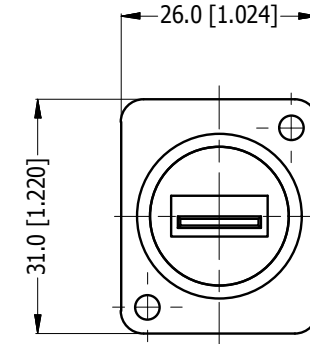
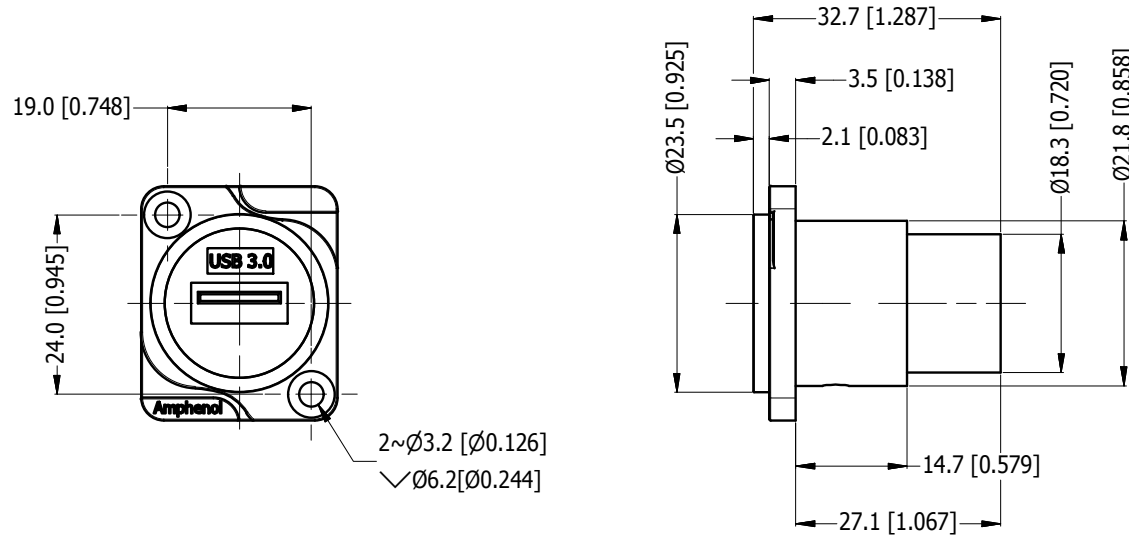


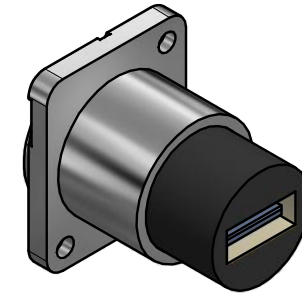
LEGEND  = KEY PRODUCT CHARACTERISTICS

REVISION HISTORY

REV	DESCRIPTION	DATE	BY	ECN
1	FIRST ISSUE	19/02/18	MH	----



PANEL CUT OUT - REAR MOUNT
(SCALE 2:1)



PART NUMBER	SHELL FINISH
AC-USB3-AA	NICKEL PLATED
AC-USB3-AAB	MATT BLACK COATING

UNLESS OTHERWISE SPECIFIED TOLERANCE TO BE	
LINEAR	ANGULAR
X ± 0.5	X' ± 1
X.X ± 0.1	X.X' ± 30'
X.XX ± 0.1	X.XX" ± 15'
BREAK ALL SHARP EDGES AND REMOVE ALL BURRS	
DO NOT SCALE	
DIMENSIONS IN MILLIMETRES	

THIS DOCUMENT IS THE PROPERTY OF AMPHENOL AUSTRALIA PTY. LTD.
NO PART THEREOF MAY BE REPRODUCED AND USED
WITHOUT THE PRIOR WRITTEN CONSENT OF THE OWNER

MATERIAL: SEE COMPONENT	DRN: M.H	DATE: 19/02/18
FINISH: SEE COMPONENT	CKD: M.H	DATE: 19/02/18
	APP'D: P.M	DATE: 19/02/18

Amphenol

Amphenol Australia Pty.Ltd,
22 Industry Boulevard, Carrum Downs, VIC 3201

TITLE:
**USB3 D-TYPE
PANEL MOUNT
CUSTOMER DWG**

PART No. SEE TABLE	SHEET 2/2
DRAWING No. 55011293-000-1	

SCALE: 1:1	SIZE: A4	CAD FILE: 55011293000111
-------------------	-----------------	--------------------------