



Atmel MCUs

Xplained Pro Hardware Development Kit (HDK)

USER GUIDE

Hardware Development Kit

The Atmel® Hardware Development Kit (HDK) provides all necessary information for a developer to make hardware that is compatible with Atmel Xplained Pro products, integrate it with Atmel Studio and add example firmware.

Table of Contents

| | |
|---|----|
| Hardware Development Kit..... | 1 |
| 1. Introduction..... | 4 |
| 1.1. Compatible Xplained Pro Hardware..... | 4 |
| 1.2. Studio Integration..... | 5 |
| 1.3. Example Code..... | 5 |
| 2. Xplained Pro Hardware Platform..... | 6 |
| 2.1. Naming Convention..... | 6 |
| 2.1.1. Product Hierarchy..... | 6 |
| 2.1.2. Xplained Pro Main Board Naming Convention..... | 6 |
| 2.1.3. Xplained Pro Extension Naming Convention..... | 6 |
| 2.1.4. Silkscreen Text..... | 7 |
| 2.2. Embedded Debugger..... | 8 |
| 2.3. Xplained Pro Analog Module (XAM)..... | 8 |
| 2.3.1. Overview..... | 8 |
| 2.3.2. EDBG Interface..... | 9 |
| 2.3.3. Sample Rate..... | 10 |
| 2.3.4. Measurement Ranges and Accuracy..... | 10 |
| 2.4. Xplained Pro ID System..... | 10 |
| 2.4.1. Overview..... | 10 |
| 2.4.2. ID System Implementation on Extensions..... | 11 |
| 2.4.3. ID Device Data..... | 12 |
| 2.4.4. Data Encoding..... | 12 |
| 2.4.5. Creating Your Own ID Data..... | 13 |
| 2.4.6. Programming the ID Device..... | 13 |
| 2.5. Xplained Pro Connectors..... | 14 |
| 2.5.1. Extension Header Numbering..... | 14 |
| 2.5.2. Xplained Pro Standard Extension Header..... | 15 |
| 2.5.3. Xplained Pro Power Header..... | 20 |
| 2.5.4. Current Measurement Header..... | 21 |
| 2.5.5. Xplained Pro Segment LCD Connector..... | 21 |
| 2.5.6. Xplained Pro LCD Extension Connector..... | 22 |
| 2.6. Power Specifications..... | 24 |
| 2.6.1. Typical Power Supply Implementations..... | 25 |
| 2.7. Board Stacking Options..... | 26 |
| 3. Xplained Pro MCU Boards..... | 31 |
| 3.1. Standard On-board Features..... | 31 |
| 3.1.1. Embedded Debugger (EDBG)..... | 31 |
| 3.1.2. Reset Button..... | 32 |
| 3.1.3. Wake-up/Bootloader/User Button..... | 32 |
| 3.1.4. Current Measurement Header..... | 32 |
| 3.2. Mechanical Dimensions and Component Placement..... | 32 |
| 3.2.1. Plastic Isolation Bumpers..... | 32 |

| | | |
|--------|---|----|
| 3.2.2. | Component Height..... | 32 |
| 3.2.3. | Mounting Holes..... | 33 |
| 3.2.4. | Board Sizes..... | 33 |
| 3.2.5. | Connector and Header Placement..... | 35 |
| 4. | Xplained Pro Extensions..... | 39 |
| 4.1. | Extension Board Templates..... | 39 |
| 4.1.1. | Designing a Board with the Standard Extension Header..... | 39 |
| 4.1.2. | Designing a Board with the Segment LCD Connector..... | 52 |
| 4.1.3. | Designing a Board with the LCD connector..... | 53 |
| 5. | Xplained Pro Extensions in Atmel Studio..... | 63 |
| 5.1. | Xplained Pro Landing Page..... | 63 |
| 6. | Appendix..... | 64 |
| 6.1. | Xplained Pro I ² C Address List..... | 64 |
| 6.2. | id_tool Version History..... | 65 |
| 6.2.1. | Version 1.0..... | 65 |
| 6.2.2. | Version 0.5..... | 65 |
| 7. | Document Revision History..... | 66 |

1. Introduction

The Hardware Development Kit (HDK) describes how to integrate an Xplained Pro design seamlessly into the Atmel tools and software offering. Three requirements must be fulfilled in order to accomplish this task:

1. Compatible hardware.
2. Atmel Studio integration.
3. Example code.

When all these requirements are fulfilled a good user experience is achieved because each step in the evaluation process is covered and the user has easy access to everything needed.

1.1. Compatible Xplained Pro Hardware

The Xplained Pro platform consists of several standardized building blocks that need to work together for the system to work. Otherwise interoperability issues may occur where extensions cannot be connected due to incompatible pinout or the hardware identification system does not work. Typical hardware building blocks on the Xplained Pro platform are:

- Standardized pinout and position for extension headers
- Standardized board sizes
- Embedded Debugger (EDBG)
- Hardware identification system
- Xplained Pro Analog Module (XAM)

The Hardware Development Kit provides all information that is necessary to create an Xplained Pro product that is compatible with the Xplained Pro platform. The above building blocks are described in this document.

Figure 1-1 Typical Xplained Pro Hardware



1.2. Studio Integration

When Atmel Studio detects Xplained Pro compatible hardware it will search for a landing page for it and present it to the user. The landing page contains:

- Short description of the kit
- Picture of the kit
- Links to kit documentation
- Links to relevant datasheets
- Link that opens a list with relevant applications for this kit (filtered ASF examples list)
- Link to places where the kit can be bought

Other information on the landing page is obtained directly from the connected hardware via the kit identification system e.g. revision, capabilities, serial number, etc.

If no landing page is found the user will be requested to update the Atmel Kits extension from the Atmel Gallery.

Related Links

[Xplained Pro Landing Page](#) on page 63

1.3. Example Code

The final step of the integration is addition of example code for the hardware. This is described in detail in the Software Development Kit (SDK). The SDK is available at the [Atmel Gallery Partner](#) site.

2. Xplained Pro Hardware Platform

2.1. Naming Convention

2.1.1. Product Hierarchy

The Xplained Pro platform consists of several boards, kits, and bundles. It is important to be accurate and consistent in all documentation when describing a physical Xplained Pro product.

The assembled PCB with components is an Xplained Pro board where:

- The microcontroller (MCU) board can be referred to as an Xplained Pro MCU board or Xplained Pro main board.
- The extension can be referred to as an Xplained Pro extension or Xplained Pro extension board

A (cardboard) box containing one Xplained Pro board is called an Xplained Pro kit. A kit always contains at least one Xplained Pro board, and may also contain additional components such as cables, storage media, or a display module. There are three types of Xplained Pro kits:

- A kit containing one MCU Xplained Pro board should be referred to as an Xplained Pro Evaluation Kit
- A kit containing one Xplained Pro extension should be referred to as an Xplained Pro Extension kit
- A kit containing several kits including cables and everything a new user needs to get started is called an Xplained Pro Starter Kit

Examples:

- SAM4L Xplained Pro MCU board
- SAM4L Xplained Pro Evaluation Kit
- SAM4L Xplained Pro Starter Kit
- OLED1 Xplained Pro Extension
- OLED1 Xplained Pro Extension Kit

2.1.2. Xplained Pro Main Board Naming Convention

All boards of the product family are named based on the following scheme:

[device_series_name] Xplained Pro

Examples:

- UC3 L Xplained Pro
- SAM4L Xplained Pro
- XMEGA® A1U Xplained Pro

The above suggestions only work if only one product for the MCU family exists. When sub family products are made it is required to add the sub-series part of the MCU name (or the memory size indicator for kits that have a new memory size derivate).

Examples:

- UC3 A3 Xplained Pro
- SAM4LC Xplained Pro
- SAM4L8 Xplained Pro

2.1.3. Xplained Pro Extension Naming Convention

All boards of the product family are named based on the following scheme:

[device/technology] Xplained Pro

In addition it is possible to extend the name with a sub-part that is used to differentiate products within a product line.

- Sensors Xplained Pro Inertial
- Sensors Xplained Pro Pressure
- Security Xplained Pro Authentication

When several extensions exist with the same name and sub-naming, these can be distinguished by adding a number:

- Sensors Xplained Pro Inertial One
- OLED1 Xplained Pro
- I/O1 Xplained Pro

2.1.4. Silkscreen Text

The board name on the PCB itself is all in capital letters, where the X in Xplained is the double font size than the rest of the letters. The “PRO” is attached at the end with half the font size. For example 2mm height for standard text, 4mm height for the X, and 1mm height for the “PRO”. The font size used in the below example is Verdana with a 0.5mm inverted border.

Figure 2-1 MCU Board Silkscreen Naming Example 1



Figure 2-2 MCU Board Silkscreen Naming Example 2



Figure 2-3 Extension Silkscreen Naming Example 1



Figure 2-4 Extension Silkscreen Naming Example 2



2.2. Embedded Debugger

The Xplained Pro contains the Atmel Embedded Debugger (EDBG) for on-board debugging. The EDBG is a composite USB device of three interfaces; a debugger, Virtual COM Port, and a Data Gateway Interface (DGI).

Together with Atmel Studio, the EDBG debugger interface can program and debug the target device. On Xplained Pro, the programming interface is connected between the EDBG and the target device.

The Virtual COM Port is connected to a UART on the target device and provides an easy way to communicate with the target application through terminal software. It offers variable baud rate, parity, and stop bit settings. Note that the settings on the target device must match the settings given in the terminal software.



Info: If not set automatically, data terminal ready (DTR) must be set in the terminal software.

The DGI consists of several physical interfaces for communication with the host computer. Communication over the interfaces is bidirectional. It can be used to send events and values from the target device or as a generic printf-style data channel. Traffic over the interfaces can be timestamped on the EDBG for more accurate tracing of events. Note that timestamping imposes an overhead that reduces maximal throughput. [Atmel Data Visualizer](#) is used to send and receive data through DGI.

The EDBG controls two LEDs on Xplained Pro; a power LED and a status LED. [Table 2-1 EDBG LED Control](#) on page 8 shows how the LEDs are controlled in different operation modes.

Table 2-1 EDBG LED Control

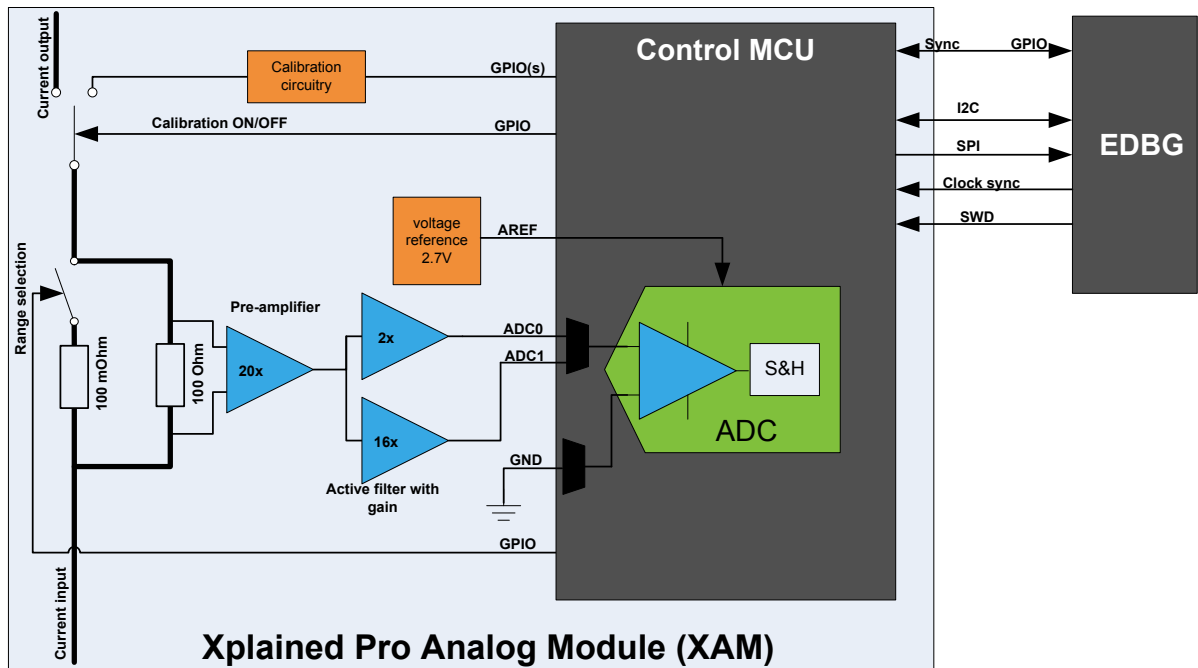
| Operation mode | Power LED | Status LED |
|------------------------------------|--|---|
| Normal operation | Power LED is lit when power is applied to the board. | Activity indicator, LED flashes when any communication happens to the EDBG. |
| Bootloader mode (idle) | The power LED and the status LED blinks simultaneously. | |
| Bootloader mode (firmware upgrade) | The power LED and the status LED blinks in an alternating pattern. | |

For further documentation on the EDBG, see the [EDBG User Guide](#).

2.3. Xplained Pro Analog Module (XAM)

2.3.1. Overview

The Xplained Pro Analog Module (XAM) extends the embedded debugger with high dynamic range current measurement. This enables power profiling of the target system.



The XAM consists of:

- Calibration circuitry
- Voltage reference
- Analog frontend
 - Shunt resistors with a range selection switch
 - Pre-amplifier
 - Two active filters with gain
- Control MCU
 - Analog to digital converter
 - Signal processing
 - Control/communication interface to the EDBG

The current measurement frontend is a high side shunt measurement with a pre-amplifier and a second active filter stage with gain. The wide dynamic range is achieved by four measurement ranges which are defined by two shunts and the two parallel second stage active filters with gain.

2.3.2. EDBG Interface

The Xplained Pro Analog Module (XAM) is connected to the EDBG with the following interfaces:

- I²C: This is used to control and configure the XAM
- SPI: Current measurement data is streamed to the EDBG via this interface. This is a one-way data transfer channel from the XAM to the EDBG
- SWD: The MCU in the XAM is programmed via SWD from the EDBG
- GPIO: At least one GPIO that is connected to the EDBG from the target MCU is also connected to the current measurement unit to enable the user to sync current measurements with his application
- Clock sync: Synchronization signal to synchronize ADC measurements with EDBG
- Reference clock: Reference clock for the XAM

2.3.3. Sample Rate

The raw sampling rate of the Xplained Pro analog module (XAM) is up to 250kHz and with the default averaging configuration (average of 16 samples) the actual output of the XAM is 16.67kSPS (note that the XAM output sample rate is not an integer fraction of the raw sampling).

2.3.4. Measurement Ranges and Accuracy

The Xplained Pro analog module has four measurement ranges. These are defined by two shunt resistors and two gain stages.

| Measurement range | Hardware | Resolution | Accuracy | Comments |
|-------------------|--|-------------|----------------|--|
| Range 1 | Low current shunt and high gain stage | 20nA | 1 LSB \pm 1% | Below 1 μ A the error will increase. Typical error for 300nA is 1 LSB \pm 10% |
| Range 2 | Low current shunt and low gain stage | 150nA | 1 LSB \pm 1% | |
| Range 3 | High current shunt and high gain stage | 10 μ A | 1 LSB \pm 1% | |
| Range 4 | High current shunt and low gain stage | 100 μ A | 1 LSB \pm 1% | Above 100mA the error will increase to 1 LSB \pm 5% at 400mA. Maximum current is 400mA |

The ranges are switched automatically by the XAM to achieve best measurement results and the currently active range is visualized in the [Atmel Data Visualizer](#) frontend tool. The maximum voltage drop over the shunt resistor is 100mV and the XAM will switch the range automatically before this limit is reached.

2.4. Xplained Pro ID System

2.4.1. Overview

Identification of extensions for the Xplained Pro platform is required in order to leverage the ease of use for Atmel products. The intention of the identification is not to protect the hardware from being copied.

Identified extensions are reported through the Embedded Debugger to the host PC software, which is Atmel Studio. Based on the detected hardware Atmel Studio will then provide additional information to the user such as:

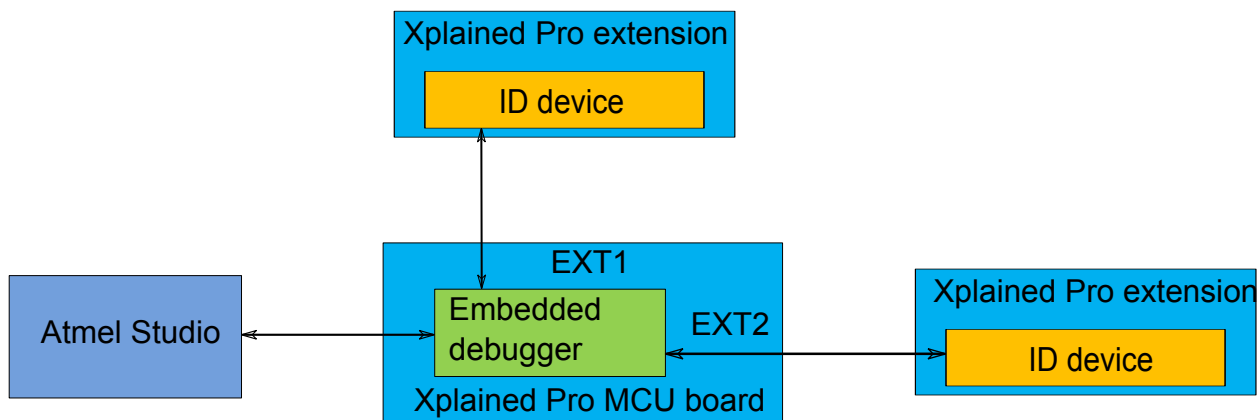
- Link to user guides and relevant datasheets
- Available Atmel Software Framework (ASF) applications for the extension
- Extension revision and features

This chapter is important for all developers that want to implement the ID system in a design e.g. on extensions for Xplained Pro.

The Embedded Debugger (EDBG) is the central part in the overall system as it serves as a gateway between the hardware and the host PC software. The [system block diagram](#) shows the main components of the system and how they connect to each other. Each extension connector on an Xplained Pro MCU board has a unique ID channel which is connected to the EDBG and to an ID device on a connected extension. When the EDBG is powered it will check all ID channels for ID devices, read out the product

information and store it internally. Once a connection to the host PC software is established the information can be retrieved and presented to the user.

Figure 2-5 ID System Overview



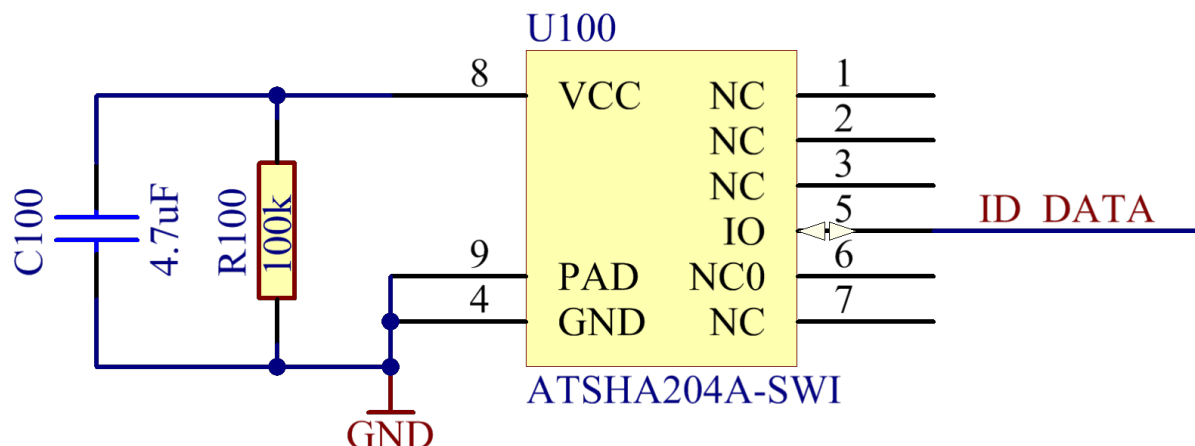
2.4.2. ID System Implementation on Extensions

The ID device that must be mounted on Xplained Pro extensions is the Atmel ATSHA204A in a single-wire configuration where the device is powered through the communication line. On the Atmel Xplained Pro extensions the device with the ordering code ATSHA204A-MAHCZ-T is used. Relevant features of the device are:

- Operation voltage from 2.0V to 5.5V
- Single wire interface
- 8-lead UDFN (one wire)
- Data area with 512 bytes
- Configuration area with 88 bytes
- One time programmable (OTP) area with 64 bytes

The example in [Figure 2-6 ID Device Circuitry](#) on page 12 shows the implemented ID circuitry on the Xplained Pro extension boards. The *ID_DATA* signal is routed to the Embedded Debugger where this signal is pulled-up. The ID chip is powered through the *ID_DATA* line through an internal diode between pin 5 and pin 8. *R100* acts as a bleeding resistor to discharge *C100* when the extension is unplugged, this is necessary in order to get the ID device in a safe state within a reasonable time before the board is plugged in again. The *ID_DATA* line is connected to a dedicated pin on the extension header your Xplained Pro board implements.

Figure 2-6 ID Device Circuitry



2.4.3. ID Device Data

The following data must be programmed into the ID device so that the most vital information can be presented to the user in Atmel Studio.

1. Manufacturer name.
2. Product name.
3. Product revision.
4. Product serial number.
5. Minimum supported voltage for the extension board [mV].
6. Maximum supported voltage for the extension board [mV].
7. Minimum current that is required to support the extension board [mA].

The product name is the key for a lookup in the available kits list in Atmel Studio and it is therefore vital that this information is unique and always present. If a kit name cannot be resolved in Atmel Studio it will be suggested to the user that he or she should update or install the required Atmel Studio extension for the extension kit. All Atmel extension kits will be identified by the Atmel Studio extension Atmel Kits.

The above data is placed in the OTP (One Time Program) zone, which means once it is programmed into the ID device memory it can't be erased or re-written.

2.4.4. Data Encoding

The data in the ATSHA204 is encoded in the following way. Manufacturer name, product name, product revision, and serial number are stored as 0 terminated ASCII strings. This allows all the strings to have variable length. Minimum voltage, maximum voltage, and required current are stored as unsigned 16-bit integer values at the last six bytes of the OTP memory zone. The byte ordering is big endian.

It is required to know the entire content of the OTP zone before locking it. All unused bytes in the OTP memory have to be written to a known value. All unused area of the OTP memory, meaning all bytes between the last ASCII string (terminated with the '\0' character) and the six bytes for the max./min. values are filled with 0xFF. These bytes are marked as DUMMY BYTES in the example table below.

It is also required to know the entire content of the data memory prior to locking the OTP zone, thus the entire data memory is filled with 0x00. The data zones are not locked for writing so it is possible, if desirable, to write updated information about the kit in the data memory. The table below shows an example of a preprogrammed memory for a fictional extension board called "Sensor Xplained".

Table 2-2 Exemplified Content for the ID Device

| Data field | Example content | Data type | Byte position |
|-----------------------|---------------------|-------------------------|---------------|
| Manufacturer | Atmel'\0' | ASCII string | OTP[0:5] |
| Product name | Sensor Xplained'\0' | ASCII string | OTP[6:21] |
| Product revision | 01'\0' | ASCII string | OTP[22:24] |
| Product serial number | 0200000002'\0' | ASCII string | OTP[25:35] |
| DUMMY BYTES | 0xFF, 0xFF, 0xFF... | Byte | OTP[36:57] |
| Minimum Voltage [mV] | 1600 | Unsigned 16-bit integer | OTP[58:59] |
| Maximum Voltage [mV] | 3300 | Unsigned 16-bit integer | OTP[60:61] |
| Required Current [mA] | 50 | Unsigned 16-bit integer | OTP[62:63] |

**Info:**

All ASCII strings are terminated with the value 0x00 ('\0')

**Info:**

Four bytes are used for string terminations ('\0'), six bytes are used for max./min. values storage. That leaves 54 bytes for ASCII characters. This means that the combination of manufacturer, product name, revision, and serial number cannot exceed 54 characters.

**Info:**

The minimum and maximum voltage parameters is used if the Xplained Pro boards supports other target voltages than 3.3V and switching of power (VCC) to the Extension connectors. The Extension kits voltage range can be read from the ID chip without applying power to the Extension kit, if the target voltage is within the valid voltage range of the Extension kit power will be switched on.

2.4.5. Creating Your Own ID Data

All extensions must have a unique product name and manufacturer so that they can be associated with available documentation and firmware in Atmel Studio in the future. This means all products must be registered so that the uniqueness of the name is ensured. To register an Xplained Pro extension module id send an e-mail to edbg@atmel.com with the manufacturer name and product name.

2.4.6. Programming the ID Device

The ID device can be programmed via the Embedded Debugger that is mounted on Xplained Pro MCU boards. That means all Xplained Pro MCU boards can act as a programmer for the ID device by connecting one of the ID signals.

Atmel provides a [Python®](#) CLI for reading and programming ID devices called `id_tool`. The CLI is tested with `Python 2.7.10`¹. The latest version of the `id_tool` package can be downloaded from the [Atmel Gallery developer page](#).

The Python CLI is distributed as source and split in two files; `edbg_driver` and `id_tool`. `edbg_driver` interfaces `cmsis_dap.dll` to communicate with an embedded debugger and provides the required functions to read and program Xplained Pro ID devices. `id_tool` contains the CLI and that interfaces the `edbg_driver`. To get started, run the following command:

```
C:\Python27\python.exe id_tool.py -h
```



Info:

The `id_tool` is provided as a CLI that can be used to read and program Xplained Pro ID devices. The code may be altered to fit a specific manufacturing setup.

Questions or issues regarding Xplained Pro ID programming can be directed to edbg@atmel.com.

Related Links

[id_tool Version History](#) on page 65

2.5. Xplained Pro Connectors

2.5.1. Extension Header Numbering

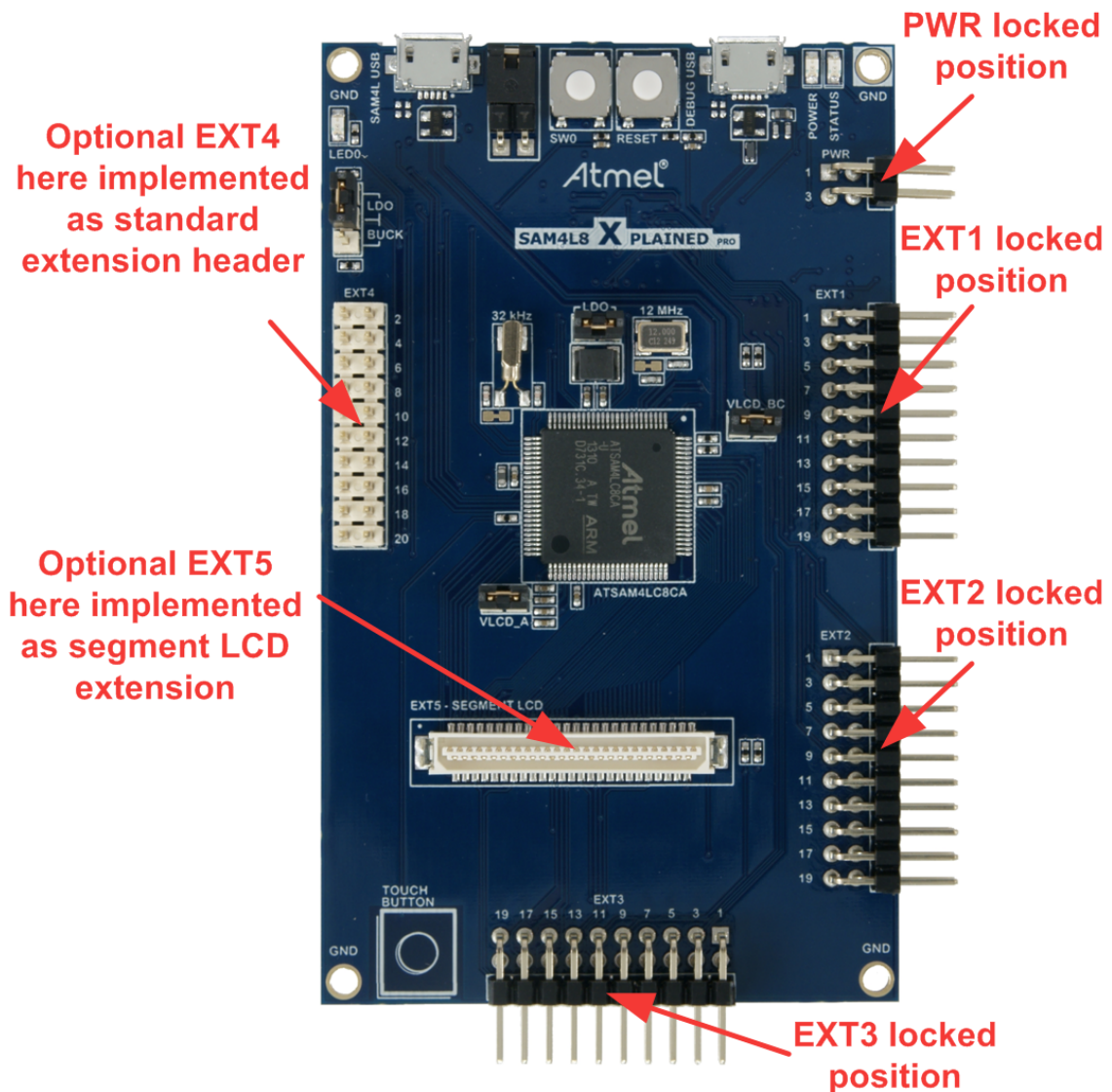
The extension headers are given names `EXTn` where $n \in [1...7]$, n is determined by which ID pin is connected to the embedded debugger. A header with ID7 signal from the embedded debugger connected should be called `EXT7`. `PWR`, `EXT1`, `EXT2` and `EXT3` are standard extension headers that have a predefined position according to the list below:

- `PWR` is right angled at the top right hand side of the board. This header must always be implemented.
- `EXT1` is right angled at the top right hand side of the board, located below the `PWR` header. This header must always be present.
- `EXT2` is right angled and at the bottom right hand side of the board. This header is mandatory for medium and large boards and should not be implemented on small boards.
- `EXT3` is right angled pointing downwards

All MCU boards have to implement at least `PWR`, `EXT1`, `EXT2` (on medium and large boards), and `EXT3`. `EXT4` to `EXT7` can be placed differently depending on the board design. `EXT4` to `EXT7` can either be standard extension headers or application specific headers.

¹ The module should be compatible with other 2.7.x versions of Python too.

Figure 2-7 Example Extension Header Numbering and Placement



2.5.2. Xplained Pro Standard Extension Header

All Xplained Pro kits have one or more dual row, 20-pin, 100mil extension header. Xplained Pro MCU boards have male headers, while Xplained Pro extensions have their female counterparts. Note that all pins are not always connected. All connected pins follow the defined pin-out description in [Table 2-3 Xplained Pro Standard Extension Header](#) on page 16.

The extension headers can be used to connect a variety of Xplained Pro extensions to Xplained Pro MCU boards or to access the pins of the target MCU on Xplained Pro MCU boards directly.

Table 2-3 Xplained Pro Standard Extension Header

| Pin number | Name | Description |
|------------|----------------------|--|
| 1 | ID | Communication line to the ID chip on an extension board |
| 2 | GND | Ground |
| 3 | ADC(+) | Analog to digital converter, alternatively positive part of differential ADC |
| 4 | ADC(-) | Analog to digital converter, alternatively negative part of differential ADC |
| 5 | GPIO1 | General purpose I/O |
| 6 | GPIO2 | General purpose I/O |
| 7 | PWM(+) | Pulse width modulation, alternatively positive part of differential PWM |
| 8 | PWM(-) | Pulse width modulation, alternatively negative part of differential PWM |
| 9 | IRQ/GPIO | Interrupt request line and/or general purpose I/O |
| 10 | SPI_SS_B/ GPIO | Slave select for SPI and/or general purpose I/O |
| 11 | I ² C_SDA | Data line for I ² C interface. Always implemented, bus type. |
| 12 | I ² C_SCL | Clock line for I ² C interface. Always implemented, bus type. |
| 13 | UART_RX | Receiver line of target device UART |
| 14 | UART_TX | Transmitter line of target device UART |
| 15 | SPI_SS_A | Slave select for SPI. Should preferably be unique. |
| 16 | SPI_MOSI | Master out slave in line of serial peripheral interface. Always implemented, bus type. |
| 17 | SPI_MISO | Master in slave out line of serial peripheral interface. Always implemented, bus type. |
| 18 | SPI_SCK | Clock for serial peripheral interface. Always implemented, bus type. |
| 19 | GND | Ground |
| 20 | VCC | Power for extension board |

2.5.2.1. Populating Extension Headers

The number of extension headers and how they are populated will greatly affect the Xplained Pro platform as a whole. Since there are 20 pins per standard extension header some pins from the target MCU will be shared between several extension headers. If the pin-out is not done thoroughly there will be many compatibility issues when several extension modules are connected at the same time. There has to be some sharing of MCU pins on the extension headers, if not too few headers will be available for the user.

EXT1 should be a golden extension header meaning this header should not share any of its MCU pins with other extension headers. Demo code for a specific extension module should always run on EXT1

without the need to modify the code. For low pin-count devices it might be difficult to achieve this but in all cases this should be at least attempted.

EXT3 is intended for user interface boards containing displays, buttons etc, and these boards will most likely be used a lot. For all other standard extension connectors a lower number should have priority over a connector with a higher number, e.g. EXT2 > EXT4.

Table 2-4 Recommended Priority for the Standard Xplained Pro Extension Header Population

| Pin number | Name | Recommendation |
|------------|---------------|--|
| 1 | ID | Always connect to a unique ID line on the embedded debugger |
| 2 | GND | |
| 3 | ADC(+) | First priority for ADC |
| 4 | ADC(-) | Second priority for ADC |
| 5 | GPIO1 | First priority for GPIO (devices that have USART RTS hardware support should route this function to this pin) |
| 6 | GPIO2 | Second priority GPIO (for devices that have USART CTS hardware support should route this function to this pin) |
| 7 | PWM(+) | First priority for PWM |
| 8 | PWM(-) | Second priority for PWM |
| 9 | IRQ/GPIO | Should be unique if possible, priority 2 |
| 10 | SPI_SS_B/GPIO | Should be unique if possible, priority 3 |
| 11 | TWI_SDA | Always implemented |
| 12 | TWI_SCL | Always implemented |
| 13 | USART_RX | |
| 14 | USART_TX | |
| 15 | SPI_SS_A | Should be unique if possible, priority 1 |
| 16 | SPI_MOSI | Always implemented |
| 17 | SPI_MISO | Always implemented |
| 18 | SPI_SCK | Always implemented |
| 19 | GND | |
| 20 | VCC | |

Signals with unique priority should be populated first e.g. SPI_SS_A, then IRQ/GPIO, and lastly SPI_SS_B/GPIO. After Unique priorities have been filled other signals with the lowest number have the highest priority e.g. PWM(+), GPIO1 and ADC(+) must be populated before ADC(-), GPIO2 and PWM(-).

SPI, TWI, and UART should always be implemented. SPI and TWI can always be implemented because they are bus types.

It is not allowed to connect two (or more) MCU signals to one extension connector pin, as this will make the not used MCU pin unavailable to the designer for alternative use. It is however an option to connect

one MCU signal to two or more extension connector pins, to ensure that we can make standard functionality available on all extension connectors.

For devices with hardware flow control for the UART it is beneficial to route these signals to the EXT1 header GPIO pins because these would most likely also be used for this purpose on extension boards that require these signals. RTS should be routed to GPIO0 and CTS should be routed to GPIO1. Connecting the flow control signals is not a requirement but it is obvious that following this suggestion will offer better support for this functionality.

All I/O pins of the target device that are not connected to extension headers should be made easily accessible. Exceptions for this rule are:

- USB differential data signals to improve signal integrity and to prevent the users from directly touching the signals which can lead to data loss. We have seen that this can lead to a bad user experience if the USB connection is suddenly reset due to a touch of the user e.g. when he holds the board in his hand to show a demo.
- Crystal oscillator connections: The reason behind this is a possible disturbance of the oscillation and additional load capacitance.
- Any critical signal that would have degraded performance by this additional routing e.g. clock lines

2.5.2.2. QTouch on MCU and Extension Boards

Xplained boards with devices containing a build-in PTC module should try to overload the [Table 2-3 Xplained Pro Standard Extension Header](#) on page 16 functions with QTouch® lines to make it compatible with the QTouch extension boards.

QTouch Design of Small Boards

For small extensions with only one header (EXT1), four Y- and four X-lines are the maximum of touchlines that can be expected to be available for compatibility for the series of small MCU boards. Both the MCU and the extension board should be designed with this rule set.

For compatibility with some of the first extension boards Y-lines noted in parentheses might optionally be implemented on the MCU board, but this should only be done with XY-capable QTouch lines for (Y-line 5 and 6).

Table 2-5 Recommended Priority for PTC Signals on One Header Boards (EXT1)

| Pin number EXT1 | MCU board | Extension board | Recommendation |
|--------------------|----------------------------|-----------------|---|
| 3 | Y-line 1 | Y-line 1 | 1 st priority for QTouch Y-lines |
| 4 | Y-line 2 | Y-line 2 | 2 nd priority for QTouch Y-lines |
| 5 | Y-line 3 | Y-line 3 | 3 rd priority for QTouch Y-lines |
| 6 | Y-line 4 | Y-line 4 | 4 th priority for QTouch Y-lines |
| 7 | X-line 1 | X-line 1 | 1 st priority for QTouch X-lines |
| 8 | X-line 2 | X-line 2 | 2 nd priority for QTouch X-lines |
| 9 | X-line 3 (Y-line 5) | X-line 3 | 3 rd priority for QTouch X-lines |
| 10 | X-line 4 (Y-line 6) | X-line 4 | 4 th priority for QTouch X-lines |
| 11 | | | |
| 12 | | | |

| Pin number EXT1 | MCU board | Extension board | Recommendation |
|-----------------|------------|-----------------|----------------|
| 13 | | | |
| 14 | | | |
| 15 | | | |
| 16 | (Y-line 7) | | |
| 17 | | | |
| 18 | (Y-line 8) | | |

QTouch Design of Medium and Large Boards

For medium QTouch extension boards with header EXT1 and EXT2, only the four first lines on each header should be used to ensure compatibility with most MCU boards.

If more than four Y-lines are required on the extension kit, use the ones marked in the table with the loss of compatibility with one or more MCU board. If four or less Y-lines are required, duplicate the four first X-lines from the EXT2 header on the EXT1 header to make it compatible with small MCU boards.

MCU boards should be designed with the minimum of four Y-lines on EXT1 and four X-lines on EXT2. For compatibility with the QT1 Xplained Pro board, Y-lines 5-8 can optionally be designed in. For compatibility to small extension boards, XY-lines should be designed in on pin 7-10.

Table 2-6 Recommended Priority for PTC Signals on Two Header Boards (EXT1)

| Pin number on EXT1 | MCU board | Extension board | Recommendation |
|--------------------|---------------------|---------------------------------|---|
| 3 | Y-line 1 | Y-line 1 | 1 st priority for QTouch Y-lines |
| 4 | Y-line 2 | Y-line 2 | 2 nd priority for QTouch Y-lines |
| 5 | Y-line 3 | Y-line 3 | 3 rd priority for QTouch Y-lines |
| 6 | Y-line 4 | Y-line 4 | 4 th priority for QTouch Y-lines |
| 7 | (X-line 5) | X-line 1 duplicated | 5 th priority for QTouch X-lines |
| 8 | (X-line 6) | X-line 2 duplicated | 6 th priority for QTouch X-lines |
| 9 | Y-line 5 (X-line 7) | Y-line 5 or X-line 3 duplicated | 5 th priority for QTouch Y-lines (Use XY capable lines if possible for supporting one header boards) |
| 10 | Y-line 6 (X-line 8) | Y-line 6 or X-line 4 duplicated | 6 th priority for QTouch Y-lines (Use XY capable lines if possible for supporting one header boards) |
| 11 | | | |
| 12 | | | |
| 13 | | | |
| 14 | | | |

| Pin number on EXT1 | MCU board | Extension board | Recommendation |
|--------------------|-----------|-----------------|---|
| 15 | | | |
| 16 | Y-line 7 | Y-line 7 | 7 th priority for QTouch Y-lines |
| 17 | | | |
| 18 | Y-line 8 | Y-line 8 | 8 th priority for QTouch X-lines |

Table 2-7 Recommended Priority for PTC Signals on Two Header Boards (EXT2)

| Pin number on EXT2 | MCU board | Extension board | Recommendation |
|--------------------|-----------------|-----------------|--|
| 3 | X-line 1 | X-line 1 | 1 st priority for QTouch X-lines |
| 4 | X-line 2 | X-line 2 | 2 nd priority for QTouch X-lines |
| 5 | X-line 3 | X-line 3 | 3 rd priority for QTouch X-lines |
| 6 | X-line 4 | X-line 4 | 4 th priority for QTouch X-lines |
| 7 | X-line 9 | X-line 5 | 9 th priority for QTouch X-lines |
| 8 | X-line 10 | X-line 6 | 10 th priority for QTouch X-lines |
| 9 | X-line 11 | X-line 7 | 11 th priority for QTouch X-lines |
| 10 | X-line 12 | X-line 8 | 12 th priority for QTouch X-lines |
| 11 | | | |
| 12 | | | |
| 13 | | | |
| 14 | | | |
| 15 | | | |
| 16 | | | |
| 17 | | | |
| 18 | | | |

2.5.3. Xplained Pro Power Header

The power header can be used to connect external power to the Xplained Pro kit. The kit will automatically detect and switch to any external power if supplied. The power header can also be used as supply for external peripherals or extension boards. Care must be taken not to exceed the total current limitation of the on-board regulator when using the target voltage pin.

Table 2-8 Xplained Pro Power Header

| Pin number | Pin name | Description |
|------------|------------|--|
| 1 | VEXT_P5V0 | External 5V input |
| 2 | GND | Ground |
| 3 | VCC_P5V0 | Unregulated 5V (output, derived from one of the input sources) |
| 4 | Target VTG | Regulated target voltage (output, used as main power supply for the kit) |

2.5.4. Current Measurement Header

All Xplained Pro MCU boards feature an angled 1x2, 100mil pin-header marked with MCU current measurement that is located at the upper edge of the board. All power to the target device is routed through this header. The header is populated with a jumper cap. The purpose of this header is to enable power consumption measurements of the target device with external equipment.

2.5.5. Xplained Pro Segment LCD Connector

Xplained Pro MCU boards that have a microcontroller that supports segment LCDs can implement a 51-pin segment LCD extension connector. This connector is implemented with HIROSE DF-9 series. Xplained Pro MCU boards use the male version DF9-51P-1V(69) and Xplained Pro extension boards use the female counterpart DF9-51S-1V(69). The connector has a standardized pin-out as shown in [Table 2-9 Xplained Pro Segment LCD Connector](#) on page 21.

**Info:**

All pins are not connected on all Xplained Pro MCU boards, it depends on how many segments and common terminals the target MCU supports.

Pin 37, 38, 39, 40, 41 and 42 can alternatively be used for QTouch signals. When they are used for touch they should not be used for display segments.

Table 2-9 Xplained Pro Segment LCD Connector

| Description | Function | Pin | Pin | Function | Description |
|-------------------|----------|-----|-----|----------|-------------------|
| Common terminal 3 | COM3 | 1 | 2 | COM2 | Common terminal 2 |
| Common terminal 1 | COM1 | 3 | 4 | COM0 | Common terminal 0 |
| Segment 0 | SEG0 | 5 | 6 | SEG1 | Segment 1 |
| Segment 2 | SEG2 | 7 | 8 | SEG3 | Segment 3 |
| Segment 4 | SEG4 | 9 | 10 | SEG5 | Segment 5 |
| Segment 6 | SEG6 | 11 | 12 | SEG7 | Segment 7 |
| Segment 8 | SEG8 | 13 | 14 | SEG9 | Segment 9 |
| Segment 10 | SEG10 | 15 | 16 | SEG11 | Segment 11 |
| Segment 12 | SEG12 | 17 | 18 | SEG13 | Segment 13 |
| Segment 14 | SEG14 | 19 | 20 | SEG15 | Segment 15 |
| Segment 16 | SEG16 | 21 | 22 | SEG17 | Segment 17 |

| Description | Function | Pin | Pin | Function | Description |
|---------------------------------|----------------|-----|-----|---------------|---------------------------------|
| Segment 18 | SEG18 | 23 | 24 | SEG19 | Segment 19 |
| Segment 20 | SEG20 | 25 | 26 | SEG21 | Segment 21 |
| Segment 22 | SEG22 | 27 | 28 | SEG23 | Segment 23 |
| Segment 24 | SEG24 | 29 | 30 | SEG25 | Segment 25 |
| Segment 26 | SEG26 | 31 | 32 | SEG27 | Segment 27 |
| Segment 28 | SEG28 | 33 | 34 | SEG29 | Segment 29 |
| Segment 30 | SEG30 | 35 | 36 | SEG31 | Segment 31 |
| Segment 32 / QTouch X-line 2 | SEG32 / QT_X2 | 37 | 38 | SEG33 / QT_Y2 | Segment 33 / QTouch Y-line 2 |
| Segment 34 / QTouch X-line 1 | SEG34 / QT_X1 | 39 | 40 | SEG35 / QT_Y1 | Segment 35 / QTouch Y-line 1 |
| Segment 36 / QTouch X-line 0 | SEG36 / QT_X0 | 41 | 42 | SEG37 / QT_Y0 | Segment 37 / QTouch Y-line 0 |
| Common terminal 4 | COM4 | 43 | 44 | COM5 | Common terminal 5 |
| Common terminal 6 | COM6 | 45 | 46 | COM7 | Common terminal 6 |
| Backlight anode | Backlight V+ | 47 | 48 | Backlight V- | Backlight Cathode |
| Backlight control | Backlight CTRL | 49 | 50 | ID | Xplained Pro ID |
| Ground | GND | 51 | | | |

2.5.6. Xplained Pro LCD Extension Connector

The LCD connector provides the ability to connect to display extensions that have a parallel interface. The connector implements signals for a MCU parallel bus interface and a LCD controller interface as well as signals for a touch controller. The connector pin-out definition is shown in [Table 2-10 Xplained Pro LCD Connector](#) on page 22. Note that usually only one display interface is implemented, either the LCD controller or the MCU bus interface.

A FPC/FFC connector with 50 pins and 0.5mm pitch is used for the LCD connector. The connector XF2M-5015-1A from Omron is used on several Xplained Pro designs and can be used as a reference.

Table 2-10 Xplained Pro LCD Connector

| Pin number | Name | RGB interface description | MCU interface description |
|------------|------|---|---------------------------|
| 1 | ID | Communication line to the ID chip on an extension board | |
| 2 | GND | Ground | |
| 3 | D0 | Data line | |
| 4 | D1 | Data line | |
| 5 | D2 | Data line | |
| 6 | D3 | Data line | |
| 7 | GND | Ground | |

| Pin number | Name | RGB interface description | MCU interface description |
|------------|---------------------|----------------------------|--|
| 8 | D4 | Data line | |
| 9 | D5 | Data line | |
| 10 | D6 | Data line | |
| 11 | D7 | Data line | |
| 12 | GND | Ground | |
| 13 | D8 | Data line | |
| 14 | D9 | Data line | |
| 15 | D10 | Data line | |
| 16 | D11 | Data line | |
| 17 | GND | Ground | |
| 18 | D12 | Data line | |
| 19 | D13 | Data line | |
| 20 | D14 | Data line | |
| 21 | D15 | Data line | |
| 22 | GND | Ground | |
| 23 | D16 | Data line | |
| 24 | D17 | Data line | |
| 25 | D18 | Data line | |
| 26 | D19 | Data line | |
| 27 | GND | Ground | |
| 28 | D20 | Data line | |
| 29 | D21 | Data line | |
| 30 | D22 | Data line | |
| 31 | D23 | Data line | |
| 32 | GND | Ground | |
| 33 | PCLK / CMD DATA SEL | Pixel clock | Display RAM select. One address line of the MCU for displays where it is possible to select either register or data interface. |
| 34 | VSYNC / CS | Vertical Synchronization | Chip select |
| 35 | HSYNC / WE | Horizontal Synchronization | Write enable signal |
| 36 | DATA ENABLE / RE | Data enable signal | Read enable signal |

| Pin number | Name | RGB interface description | MCU interface description |
|------------|----------------------|---|---------------------------|
| 37 | SPI SCK | Clock for serial peripheral interface | |
| 38 | SPI MOSI | Master out slave in of serial peripheral interface | |
| 39 | SPI MISO | Master in slave out of serial peripheral interface | |
| 40 | SPI SS | Slave select for serial peripheral interface. Preferably a dedicated pin. | |
| 41 | ENABLE | Display enable | |
| 42 | I ² C SDA | I ² C data | |
| 43 | I ² C SCL | I ² C clock | |
| 44 | IRQ1 | Interrupt 1 | |
| 45 | IRQ2 | Interrupt 2 | |
| 46 | PWM | Backlight control | |
| 47 | RESET | Extension reset | |
| 48 | VCC | 3.3V power supply for extension board | |
| 49 | VCC | 3.3V power supply for extension board | |
| 50 | GND | Ground | |

2.6. Power Specifications

The Xplained Pro kit can be powered either by USB or by an external power source through the 4-pin power header, marked PWR. The available power sources and specifications are listed in the table below.

Table 2-11 Power Sources for Xplained Pro

| Power input | Voltage requirements | Current requirements | Connector marking |
|-----------------------|--|---|-------------------|
| External power | 5V \pm 2% (\pm 100mV) for USB host operation. 4.3V to 5.5V if USB host operation is not required | Recommended minimum is 1A to be able to provide enough current for connected USB devices and the board itself. Recommended maximum is 2A due to the input protection maximum current specification. | PWR |
| Embedded debugger USB | 4.4V to 5.25V (according to USB spec.) | 500mA (according to USB spec.) | DEBUG USB |
| Target USB | 4.4V to 5.25V (according to USB spec.) | 500mA (according to USB spec.) | TARGET USB |

The kit will automatically detect which power sources are available and choose which one to use according to the following priority:

1. External power.
2. Embedded debugger USB.

3. Target USB.



Info:

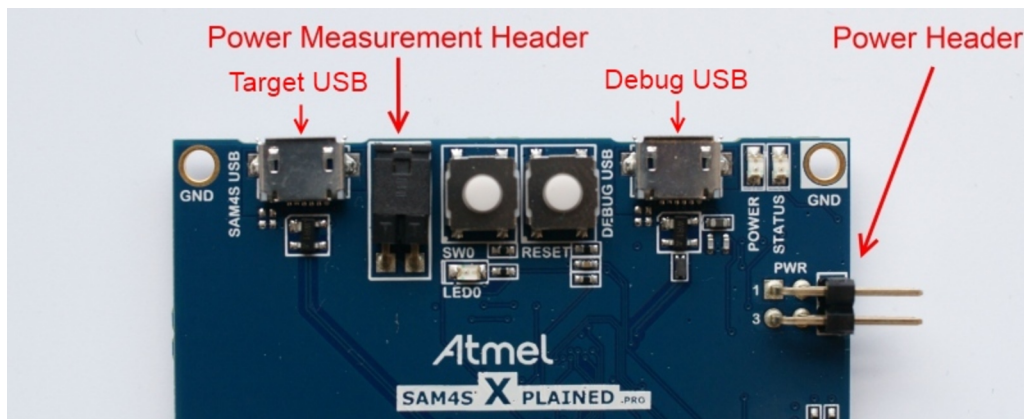
External power is required when the 500mA through the USB connector is not enough to power a connected USB device in a USB host application.

Xplained Pro MCU kits are generally powered by 5.0V input that is regulated to a 3.3V power supply for the EDBG, MCU, and extension headers/connectors.

Some Xplained Pro MCU kits implements a separate 3.3V regulator for the EDBG.

Some Xplained Pro MCU kits have support for 5.0V for the target MCU, and extension headers/connector. These kits implements full level shift between the EDBG and target MCU.

Figure 2-8 Typical Xplained Pro Power Connections

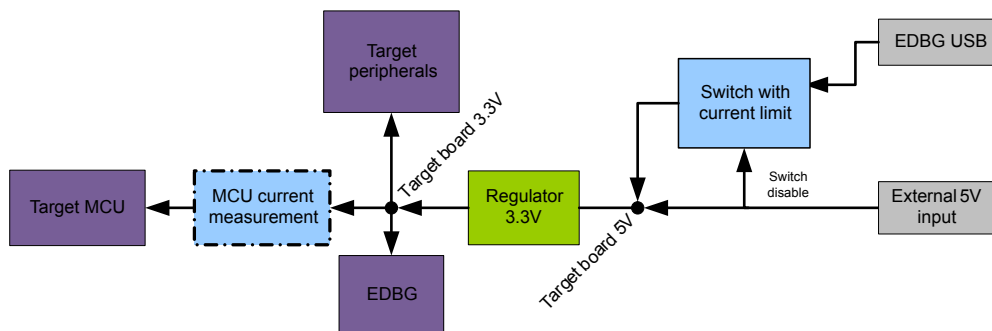


2.6.1. Typical Power Supply Implementations

2.6.1.1. No Target USB

When the target MCU does not offer a USB interface the power supply system can be reduced to the configuration shown below.

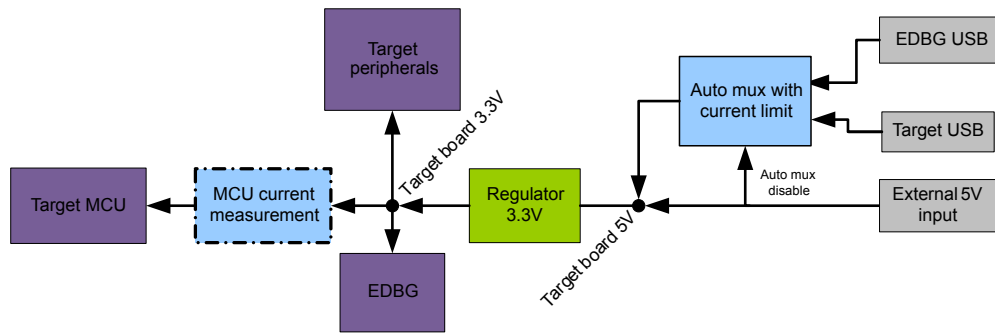
Figure 2-9 Power Supply Block Diagram for Boards with no Target USB



2.6.1.2. Target USB

When a target MCU offers a USB device interface it is mandatory to implement this interface and hook it up to the power supply system.

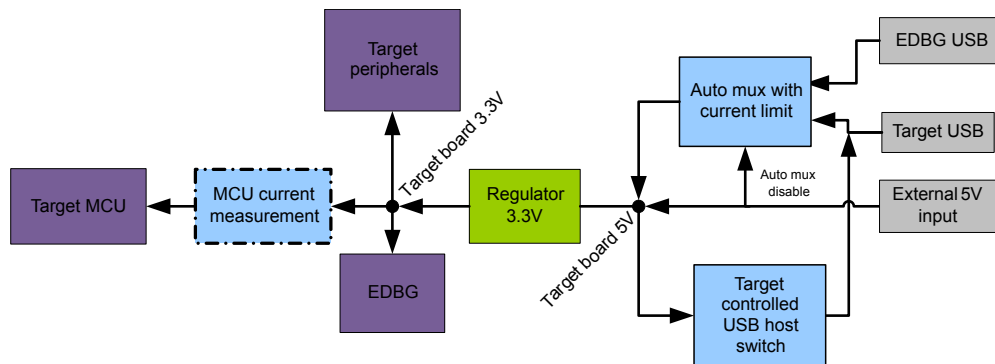
Figure 2-10 Power Supply Block Diagram for Boards with Target USB



2.6.1.3. USB Host

Target devices with USB host require an additional switch in the power supply system that turns on/off the power supply that is connected to USB devices in USB host mode of the target MCU. USB host mode requires the connection of an external power supply to be able to meet the USB specifications. For most cases the power input via the EDBG USB interface will be sufficient but is not recommended since it will only work if the input voltage is not at the lower end of the USB specifications and if the USB device does not require a lot of power.

Figure 2-11 Power Supply Block Diagram for Boards with USB Host



2.7. Board Stacking Options

Xplained Pro LCD boards are intended to be mountable on top, on the bottom or placed sideways to an Xplained Pro MCU board as shown in the following illustrations.

Figure 2-12 Side By Side Connection Option

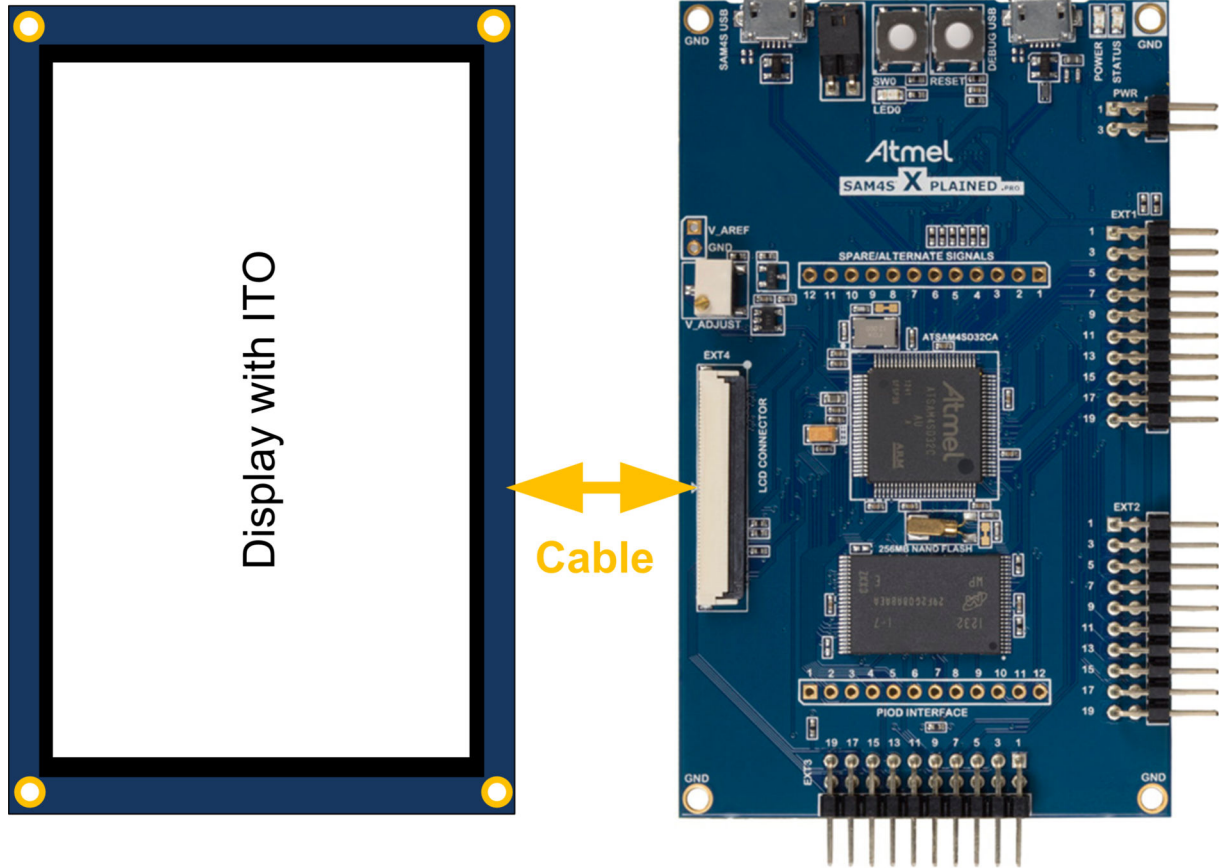


Figure 2-13 Top Side Mounting

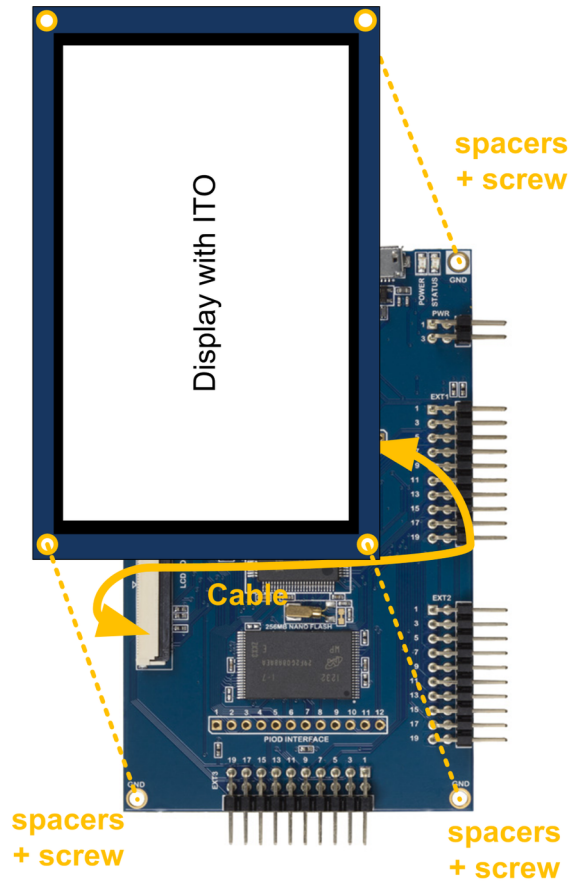
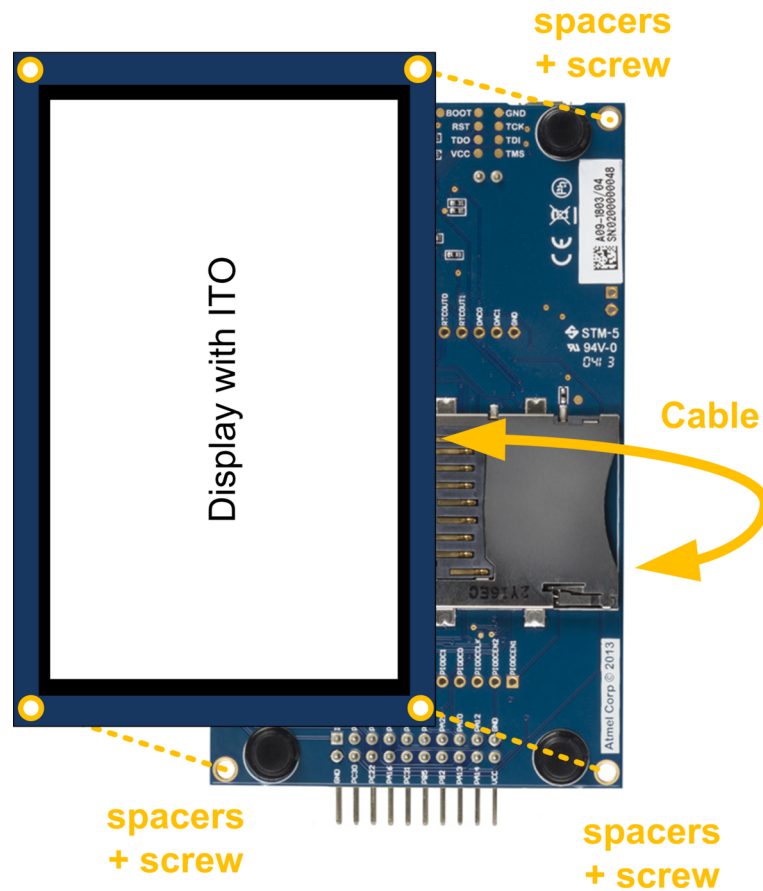


Figure 2-14 Bottom Side Mounting



The stacking is supported by spacers and screws. [Figure 2-15 LCD Board Top-stacked](#) on page 29 shows an LCD board stacked on top of a MCU board. [Figure 2-16 LCD Board Bottom-stacked](#) on page 30 shows an LCD board stacked on the bottom side of a MCU board. Note that the MCU board has been flipped up-side down in this drawing. Both of these mounting configurations requires four long spacers (M2.5, 20mm, female/male), four short spacers (M2.5, 7.5mm, female/female), and four screws (M2.5, 5mm).

Figure 2-15 LCD Board Top-stacked

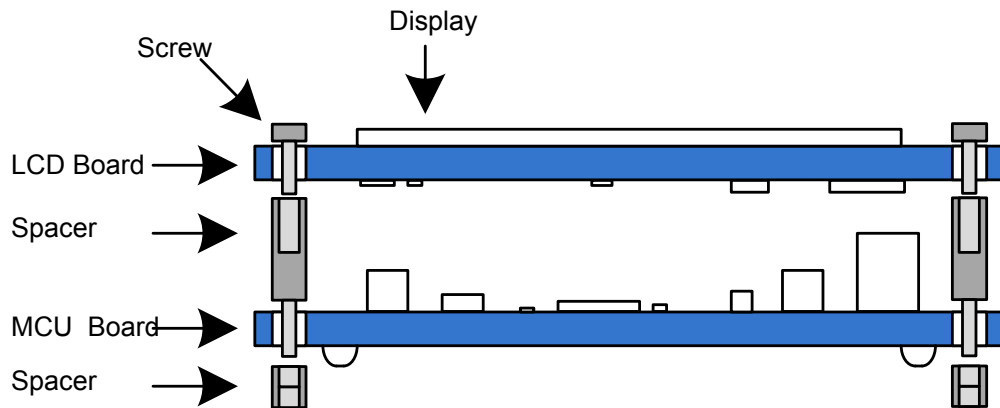
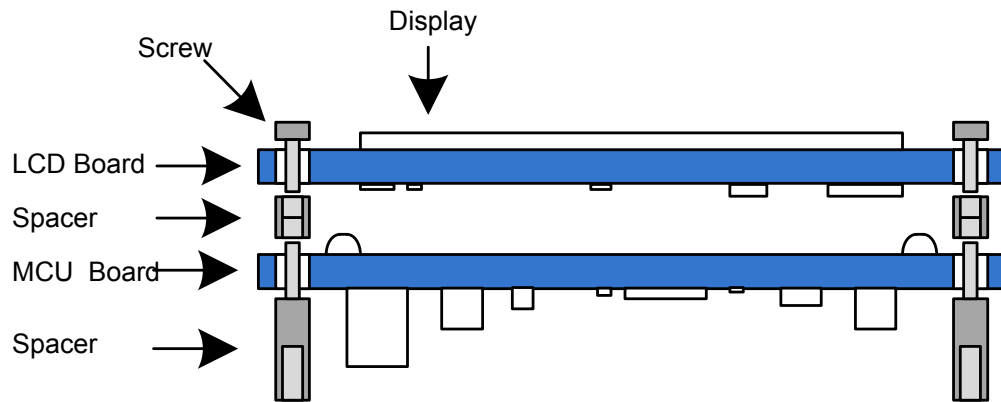


Figure 2-16 LCD Board Bottom-stacked



3. Xplained Pro MCU Boards

3.1. Standard On-board Features

3.1.1. Embedded Debugger (EDBG)

The EDBG offers a wide range of features that can be implemented in a design and all these are documented in the [EDBG datasheet](#). The Xplained Pro however, requires only a reduced set of features to minimize cost and remove some complexity from the design. The following list shows the required features but it is up to the designer to decide if additional features must be added for a design.

Related Links

[Embedded Debugger](#) on page 8

3.1.1.1. Status LEDs

The EDBG controls two LEDs; the power LED and the status LED. These are required on all Xplained Pro MCU board.

Related Links

[Table 2-1 EDBG LED Control](#) on page 8

3.1.1.2. Target Reset

The reset pin of the target device must always be connected to the EDBG. In most designs the reset is already covered by the debugging/programming interface (e.g. PDI interface on XMEGA uses RESET as clock line) but in others it may be necessary to connect the reset separately because the interface is located on other pins or reset is not required for programming/debugging.

3.1.1.3. EDBG DGI (Data Gateway Interface)

This is the default serial interface that is used for the Atmel Data Protocol (ADP), which can transport a lot of different data like measurement values, printf style text messages, or other application information. This interface can be based on several different hardware implementations, such as (highest priority first):

- Synchronous UART (target is the master and generates the clock)
- SPI (target is master)
- UART
- I²C
- GPIO
 - Signal a change of power save mode of the target
 - Code profiling by either counting e.g. function calls or by measuring execution time of a code sequence
 - General purpose trigger for a user application

A resistor should be placed between the EDBG and the target on each GPIO line to limit the current that can flow when the user drives the signal from both sides. The resistor value must be selected according to the maximum allowed drive/sink currents on EDBG and target. On the EDBG a typical pad can source/sink around 20mA (at 25°C and 3.3V). The recommended resistor value is 330Ω, which reduces the current to 10mA. In practice it will be less due to resistance within the drivers in EDBG and target.

It is mandatory to implement at least one of the interfaces on an Xplained Pro MCU board and I²C should always be implemented because it can be used to get board information from the EDBG like currently connected extensions.

3.1.1.4. Virtual COM-port Interface

This interface is based on a UART and is used to provide a generic way to transport data to and from the target to a PC without the need for using Atmel Studio. On the PC side this interface will show up as a USB CDC class. The EDBG TX pin of this interface will only be enabled when the virtual COM port is connected by a host PC application. The virtual COM port is implemented on all Xplained Pro MCU boards.

3.1.2. Reset Button

This button is required to:

- Reset the target without resetting the embedded debugger. This is necessary when the target application should be reset while still maintaining the connection to the PC via the embedded debugger. Otherwise the embedded debugger would need to re-enumerate and most likely the host PC application would need to be re-started or re-configured.
- Reset the target without unplugging the power to the board (would be quite tiresome when developing)

The EDBG is also connected to this signal to monitor user interaction as well as controlling it. Therefore it is possible to report a reset that was triggered by the reset button and to recover from a debug session that was terminated due to the reset.

3.1.3. Wake-up/Bootloader/User Button

This button is required for:

- Wake-up of the device from low power sleep modes as most devices offer a special pin(s) for this purpose
- Entering bootloader mode of the target
- Other user interaction, this is not the main reason why we have the button but when we have it we can use it for other purposes as well

It is important that the above functions are covered by corresponding pins on the target that offer these features because then the user experience is the same across the whole Xplained Pro platform.

3.1.4. Current Measurement Header

A header must be placed into the supply path to the target MCU, which is used to connect external measurement equipment for power consumption measurements.

3.2. Mechanical Dimensions and Component Placement

3.2.1. Plastic Isolation Bumpers

Plastic isolation bumpers are used on the bottom side of the board to isolate it from the surface on which it is mounted. The height of the isolation bumpers on the bottom side is 2.8mm and the recommended part is SJ-5076 from 3M. Other adhesive feet might work as well but it is very important to have the same height because otherwise extensions will not align well when connected.

3.2.2. Component Height

To allow stacking of extension on the top side and on the bottom side of the board as well as using isolation bumpers it is required to follow the maximum component height recommendations.

- All components on the top side should not exceed 15mm in height. Exceeding this limit will affect stacking of the board because different spacing between the boards might be required which can't be done with the spacers that are defined for Xplained Pro board stacking.

- All components on the bottom side of the board should not exceed 2.8mm in height. Using taller components on the bottom side will prevent the use of the default isolation bumpers and might affect the required spacers for board stacking.

3.2.3. Mounting Holes

The mounting holes on Xplained Pro should be designed to fit a M2.5 screw, the recommended hole diameter is 2.7mm. The clearance to other components should be 3mm from the hole center to allow the mounting of screws and/or spacers. A typical hexagonal spacer for M2.5 screws has a diameter of 4.5mm when measured from side to side (5.2mm when measured from edge to edge) so a 3mm clearance works well. The hole center should be placed 2.35mm from the board edges. All mounting holes should be plated and connected to GND. The pads around the mounting hole must be large enough to provide a good ground connection if a grounding cable or metal post is connected to the hole. More information about mounting hole placement is available in the board design templates.

3.2.4. Board Sizes

There are three standard Xplained Pro MCU board sizes; small, medium and large. The most commonly used sizes are medium and small.

Figure 3-1 Small MCU Board Mechanical Dimensions

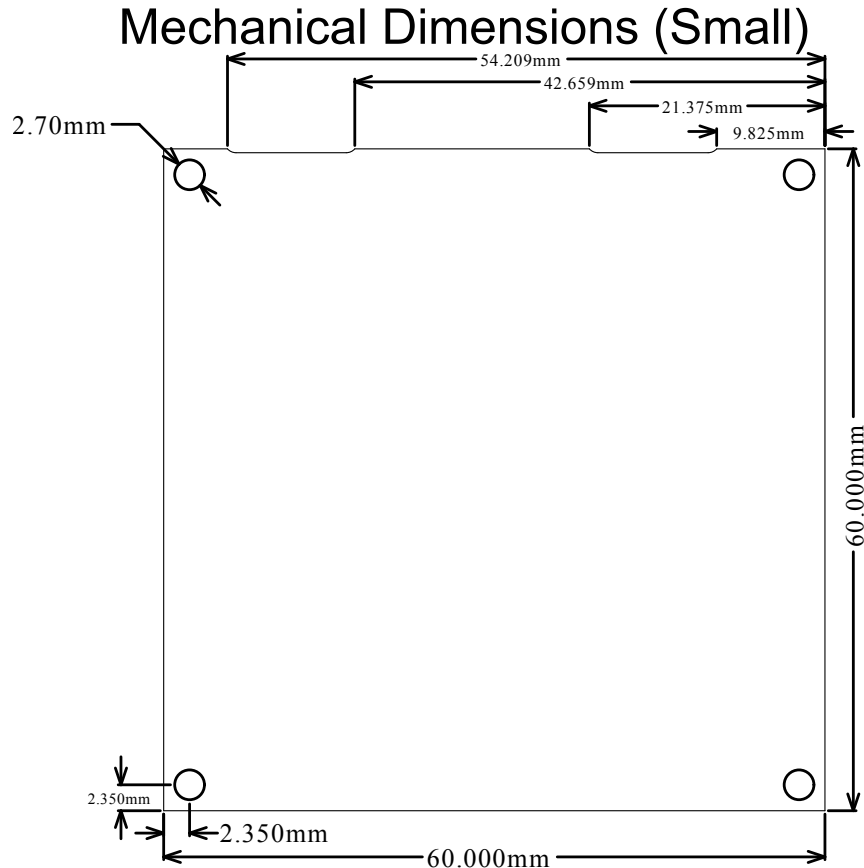


Figure 3-2 Medium MCU Board Mechanical Dimensions

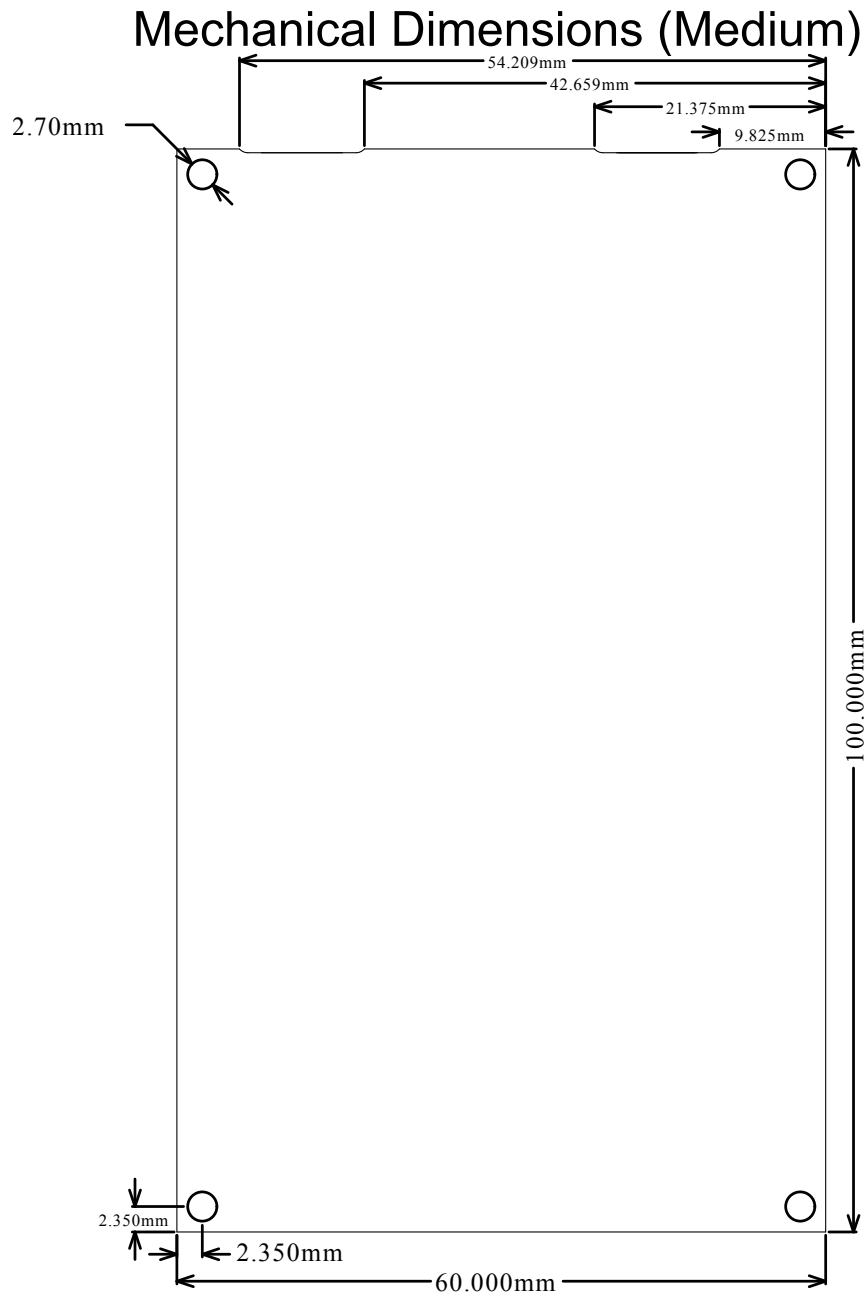
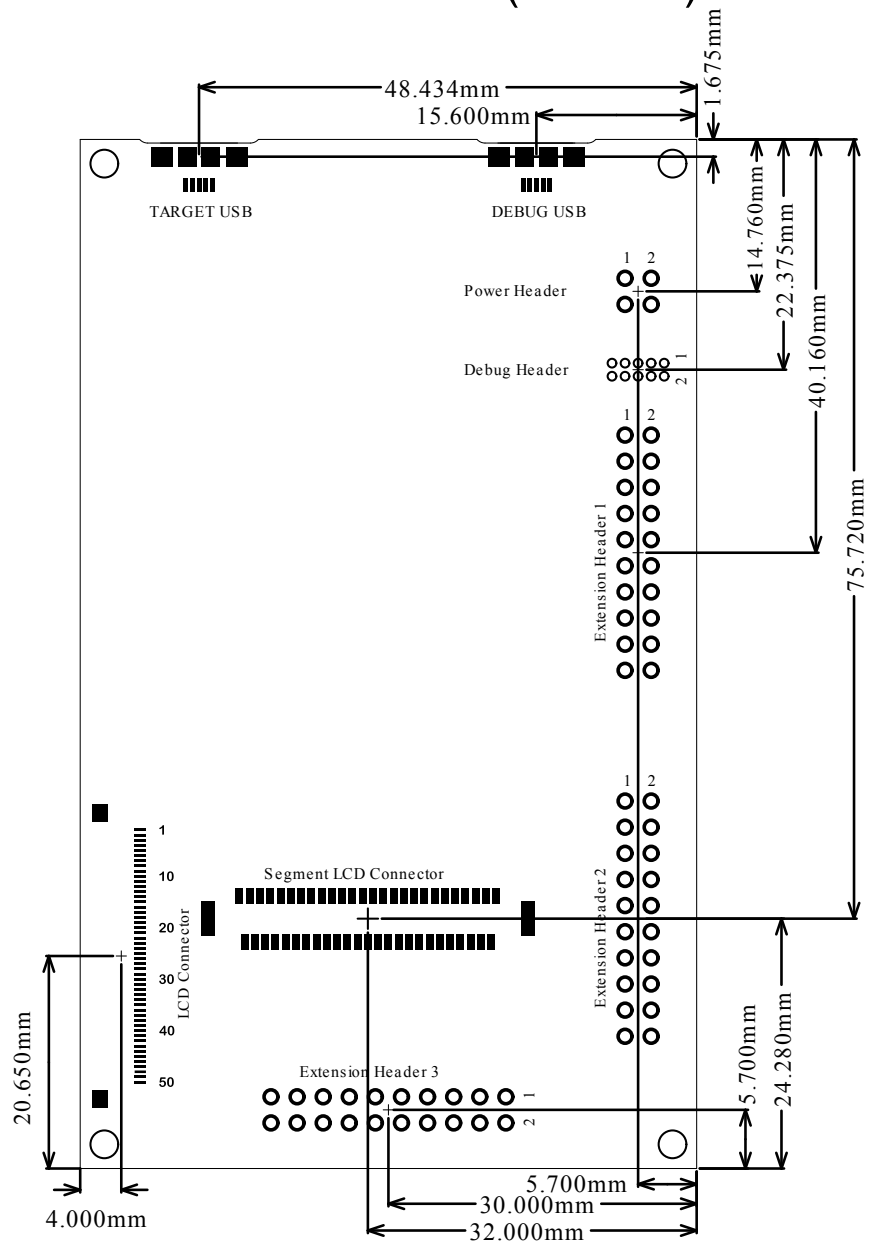


Figure 3-4 Standard Connector and Header Placement

Connector Placement (Medium)



3.2.5.1. Standard Xplained Pro Header Placement

The 20-pin standard extension headers that are always found on Xplained Pro MCU boards are named and located at fixed positions around the board edge. Extension header EXT1, EXT2, and EXT3 are reserved for standard Xplained Pro extension headers. The tables below show standard header placement and which connectors are commonly found on the different board sizes. Additional 20-pin extension headers can be placed at other locations on the board.

Table 3-1 Standard Header Placement

| Header | Placement |
|--------|---|
| PWR | Referenced to the upper right corner of the PCB |
| EXT1 | Referenced to the upper right corner of the PCB |
| EXT2 | Referenced to the upper right corner of the PCB (EXT2 is never implemented on small boards) |
| EXT3 | Referenced to the lower right corner of the PCB |

Table 3-2 Xplained Pro Board Sizes and Standard Headers

| Board Size | Standard Connectors |
|------------|---------------------------|
| Small | PWR, EXT1, and EXT3 |
| Medium | PWR, EXT1, EXT2, and EXT3 |
| Large | PWR, EXT1, EXT2, and EXT3 |

Related Links

[Xplained Pro Power Header](#) on page 20

[Xplained Pro Standard Extension Header](#) on page 15

3.2.5.2. USB Connector Placement

All Xplained Pro MCU boards have at least one USB connector for the EDBG, boards with a target microcontroller that supports USB have an additional connector. Both connectors have standardized placements on the kit referenced from the upper right corner of the PCB.

3.2.5.3. Current Measurement Header Placement

The current measurement header is always placed at the upper edge of the PCB. The header is placed so the attached jumper cap does not extend outside the board edge.

Related Links

[Current Measurement Header](#) on page 21

3.2.5.4. Debug Header Placement

Standard 6-pin and 10-pin 50-mil debug headers have a predefined placement between the PWR header and EXT1 header. If other and/or larger debug headers with for example trace support are required, this header can be placed freely on the board.

3.2.5.5. Segment LCD Connector Placement

The segment LCD connector's placement is referenced from the lower right corner of the PCB. Note that this location is not necessarily the best location on small and large MCU boards. If this connector is moved, make sure to at least support segment LCD extensions within the size constrain defined in the extension section of this document.

Related Links

[Xplained Pro Segment LCD Connector](#) on page 21

[Board Size Constraint](#) on page 52

3.2.5.6. LCD Connector Placement

The connector is always placed above the lower left mounting hole, this also applies for the large Xplained Pro MCU boards. The consistent connector placement allows all LCD boards to be mounted the same way as described in [Board Stacking Options](#) on page 26.

Related Links

[Xplained Pro LCD Extension Connector](#) on page 22

[Board Stacking Options](#) on page 26

4. Xplained Pro Extensions

4.1. Extension Board Templates

Extensions enable demonstration of MCU features that are not placed on the MCU board, e.g. sensors, displays, LEDs, and push buttons. Various standard and kit specific extensions are presented in the following sections. All holes designated for mounting are 2.7mm in diameter, plated, and connected to GND.

4.1.1. Designing a Board with the Standard Extension Header

The following sections contain information about standard extension sizes used by Atmel. The holes referred to as "test jig holes" are used by Atmel during manufacturing to align the board in a test fixture. These holes can safely be removed if they are not needed. These holes are not plated. The circles shown in the component placement drawings are rubber feet placed on the bottom side of the boards. Atmel uses 3M SJ-5076, which are 8mm in diameter and 2.8mm thick. Keep in mind that following these templates will ensure that the boards will physically fit on all Xplained Pro MCU kits.

Each template topic provides links to example products using the template if there are any.

Related Links

[Xplained Pro Standard Extension Header](#) on page 15

4.1.1.1. Extension Template 1

This is the most basic extension module and will fit all MCU boards. This means that this extension is the preferred module when starting a design.

Features:

- 30mm x 50mm
- One female standard extension header
- ID system
- Two mounting holes with GND
- Two test jig holes
- Two rubber feet

Figure 4-1 Standard Extension 1 3D View

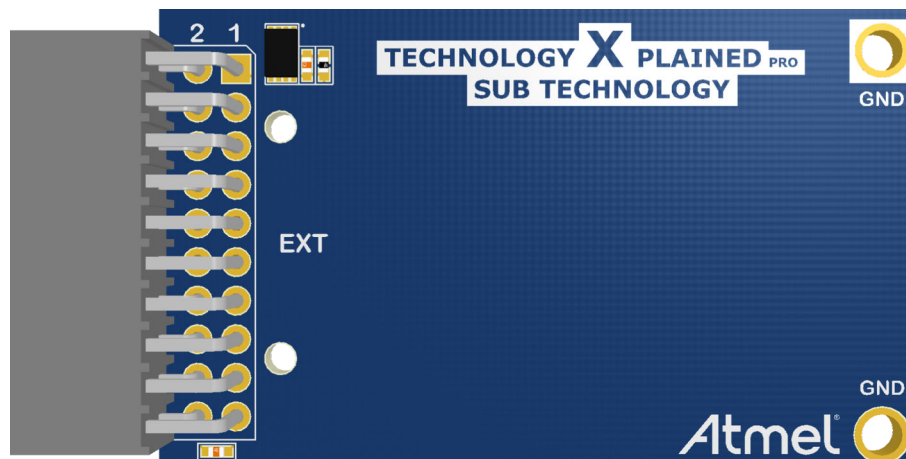


Figure 4-2 Standard Extension 1 Component Placement

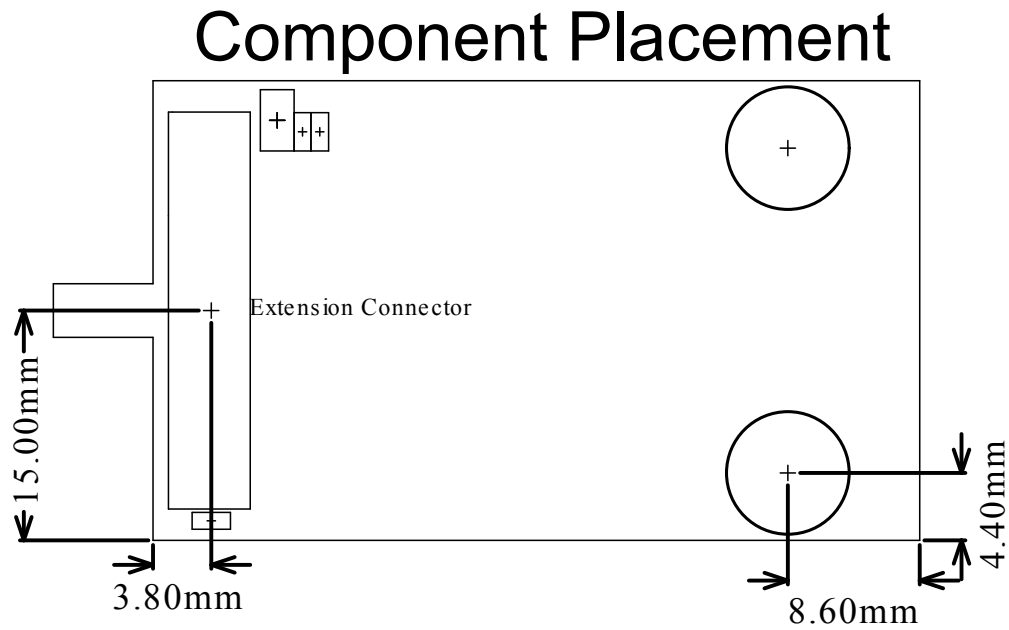
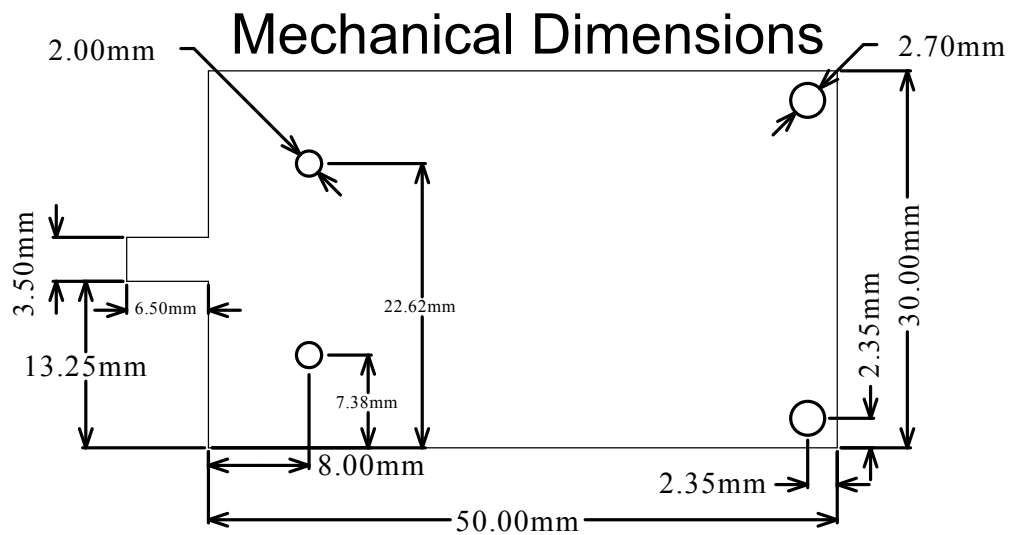


Figure 4-3 Standard Extension 1 Mechanical Dimensions



4.1.1.2. Extension Template 2

Compared to the basic default extension, this extension adds a power connector to the design. The extension type can be used if access to the power inputs/outputs of the MCU board is required.

- 45mm x 50mm
- One female standard expansion header
- One female power header
- ID system
- Two mounting holes with GND
- Two test jig holes
- Two rubber feet

Figure 4-4 Standard Extension 2 3D View

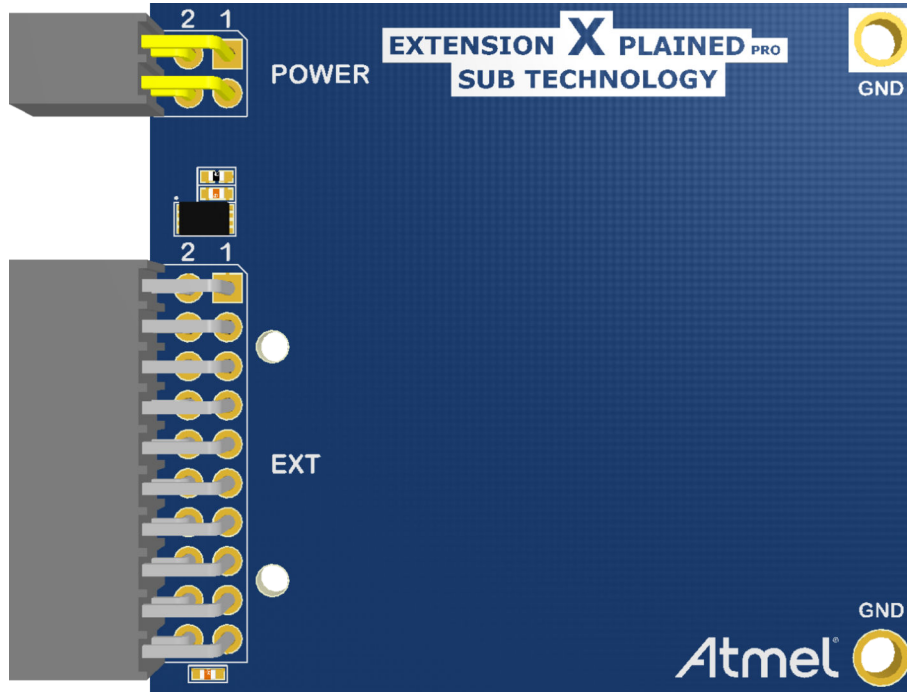


Figure 4-5 Standard Extension 2 Component Placement

Connector Placement

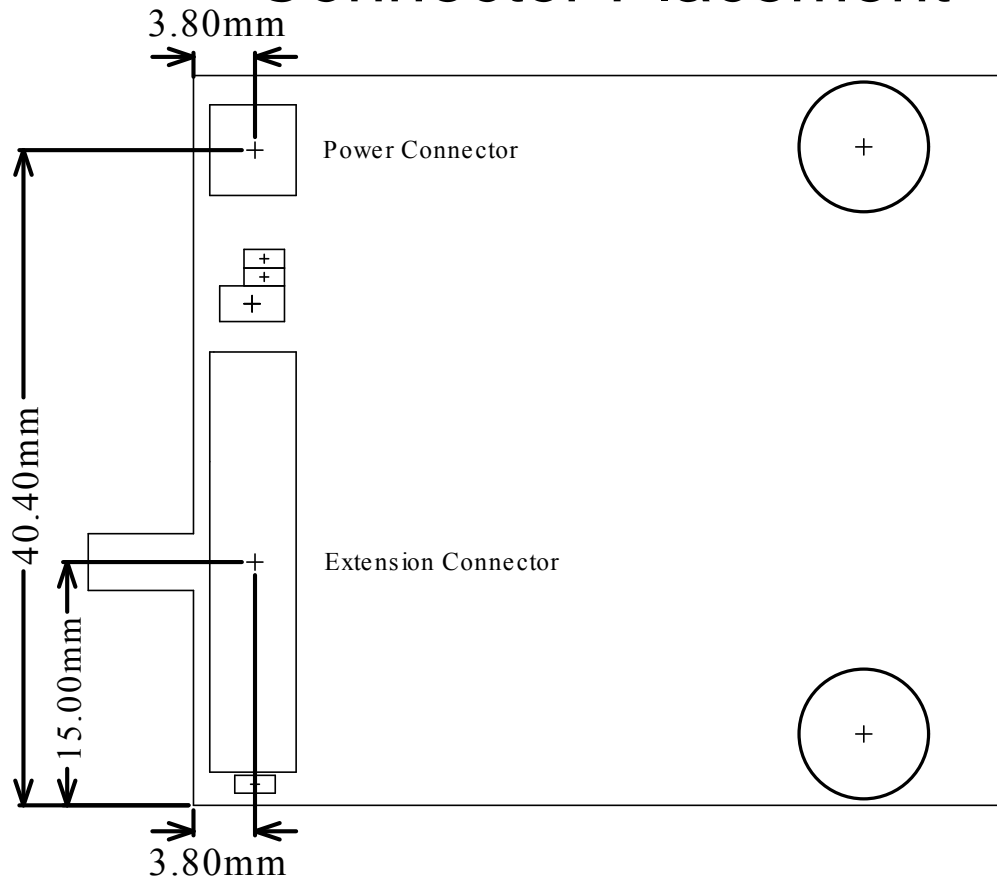
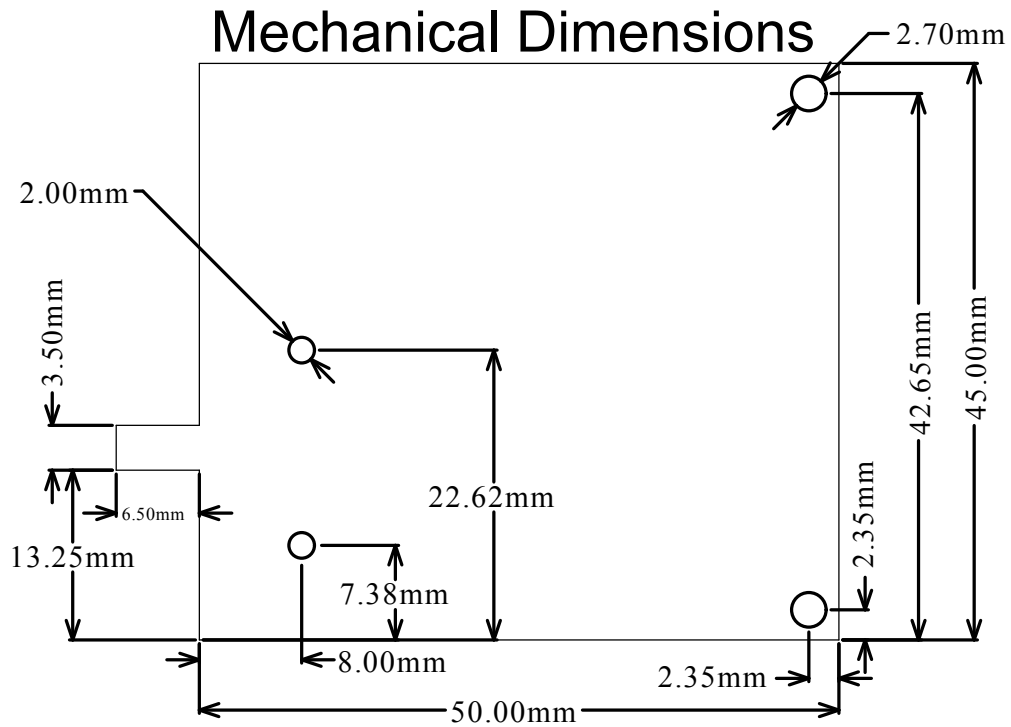


Figure 4-6 Standard Extension 2 Mechanical Dimensions



4.1.1.3. Extension Template 3

This extension is targeted for applications that require more signals than are available on one standard header e.g. when more than two ADC or PWM signals are needed. Note that this extension might not fit all MCU boards since smaller boards will not have two extension headers on one side.

- 65.55mm x 50mm
- Two female Standard extension headers
- ID system
- Two mounting holes with GND
- Two test jig holes
- Two rubber feet

Figure 4-7 Standard Extension 3 3D View

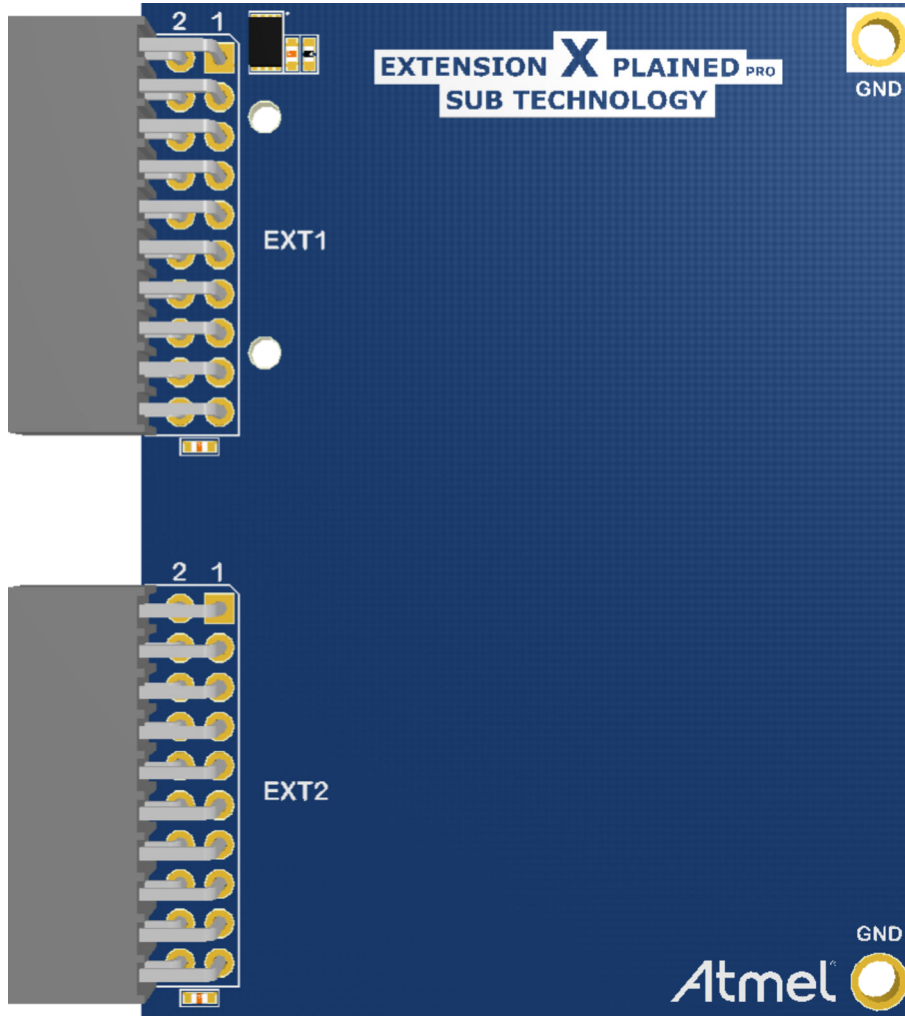


Figure 4-8 Standard Extension 3 Component Placement

Connector Placement

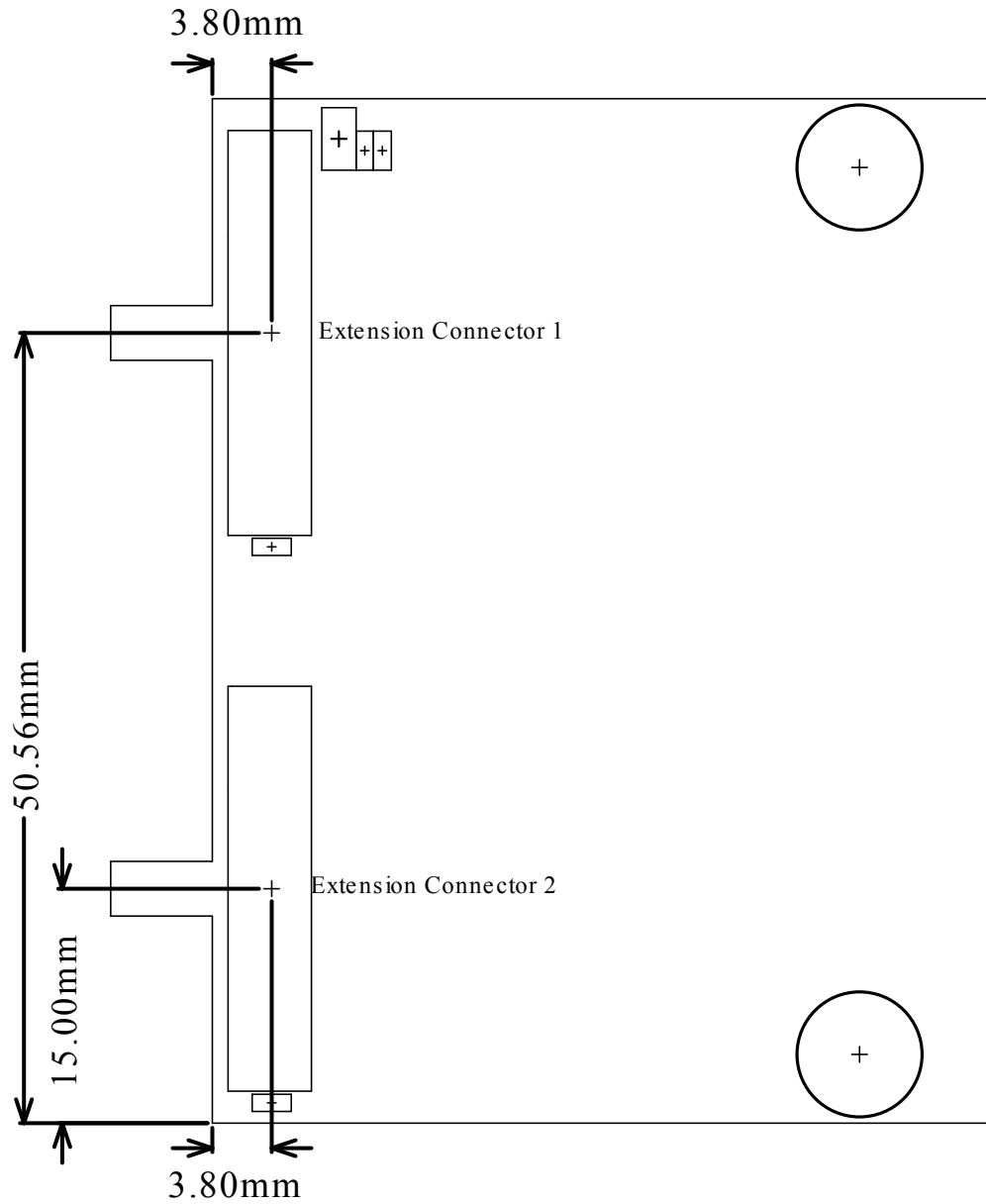
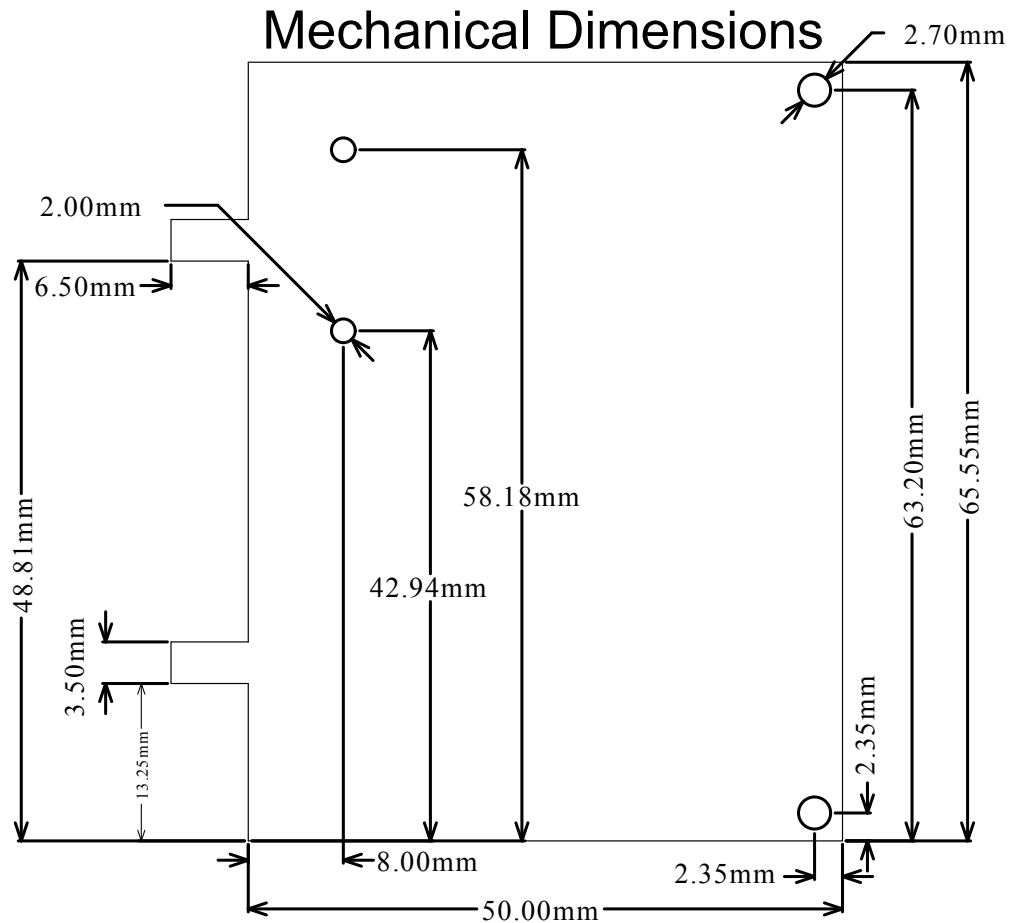


Figure 4-9 Standard Extension 3 Mechanical Dimensions



4.1.1.4. Extension Template 4

This extension is the same as Extension 3 except for the additional power header.

- 80.55mm x 50mm
- Two female standard extension headers
- One female power header
- ID system
- Two mounting holes with GND
- Two test jig holes
- Two rubber feet

Figure 4-10 Standard Extension 4 3D View

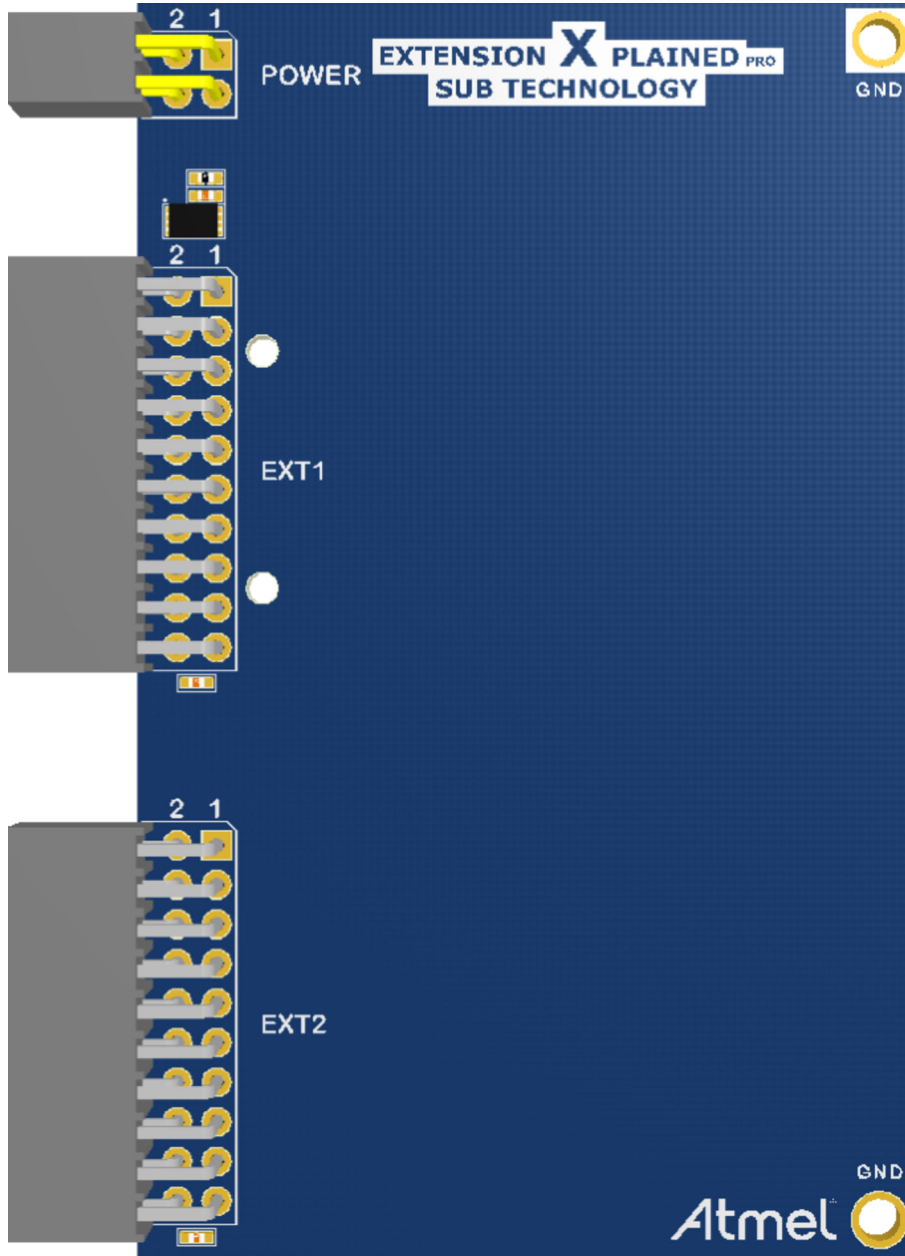


Figure 4-11 Standard Extension 4 Component Placement

Connector Placement

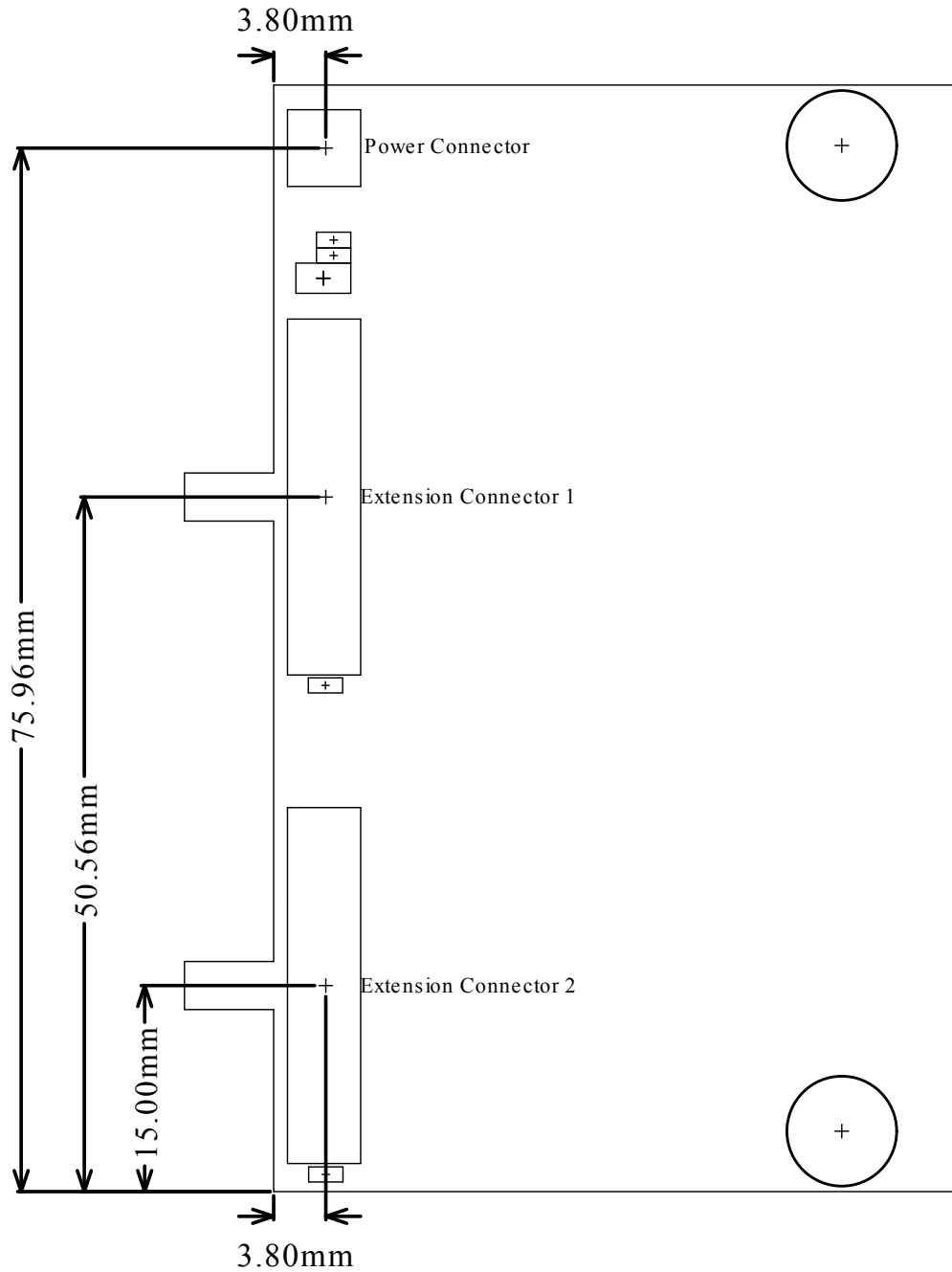
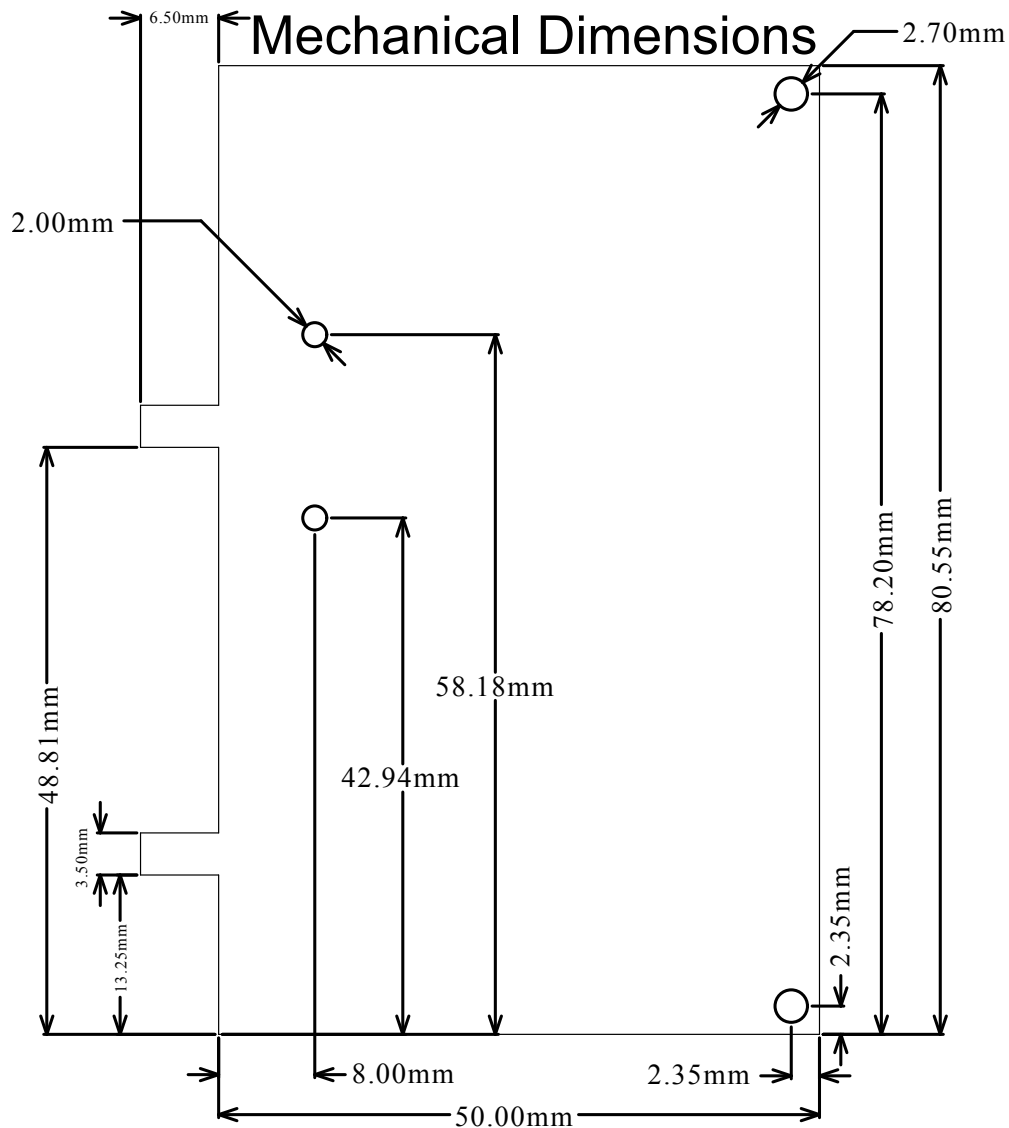


Figure 4-12 Standard Extension 4 Mechanical Dimensions



4.1.1.5. Extension Template 5

This board size is designed to fit on all Xplained Pro MCU boards, but with an orientation for the header at the bottom of the Xplained Pro MCU board. Note that the board is too wide to be connected next to another extension board on the right hand side.

Features:

- 60mm x 60mm
- One female standard extension header
- ID system
- Four mounting holes with GND
- Two test jig holes
- Four rubber feet

Figure 4-13 Standard Extension 5 3D View

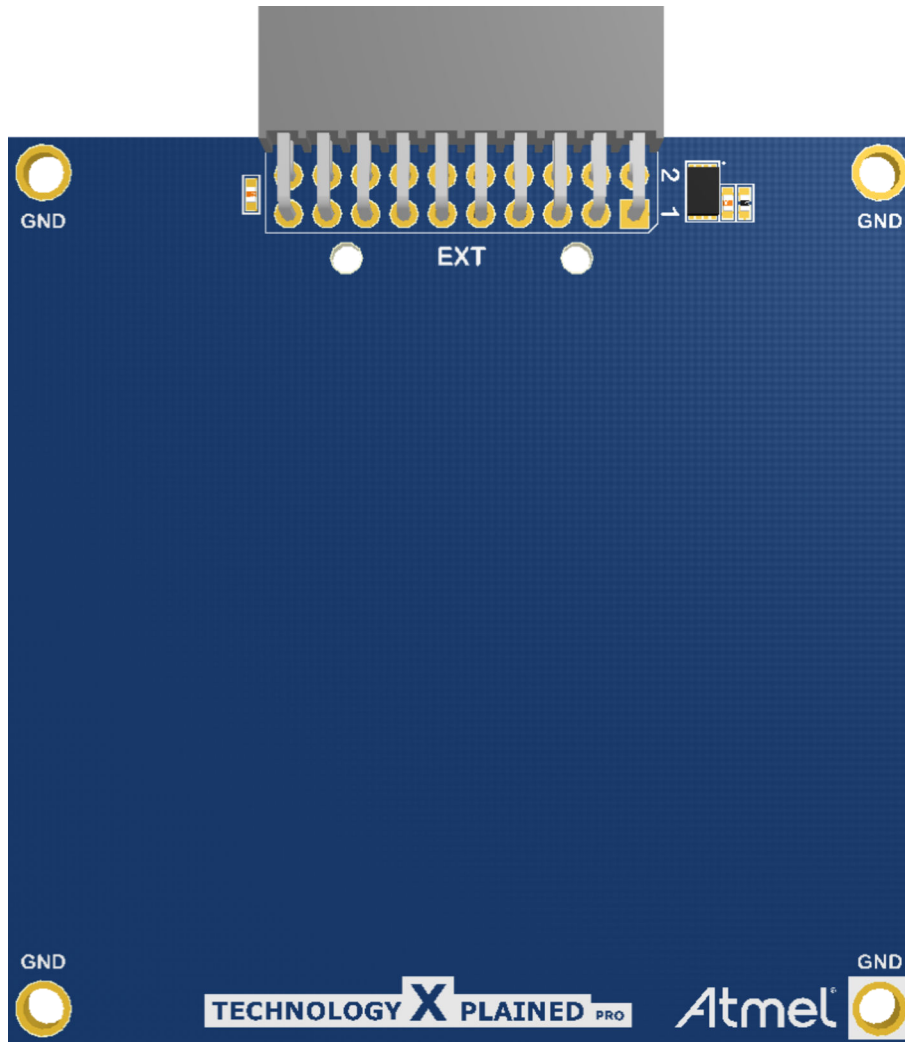


Figure 4-14 Standard Extension 5 Component Placement

Connector Placement

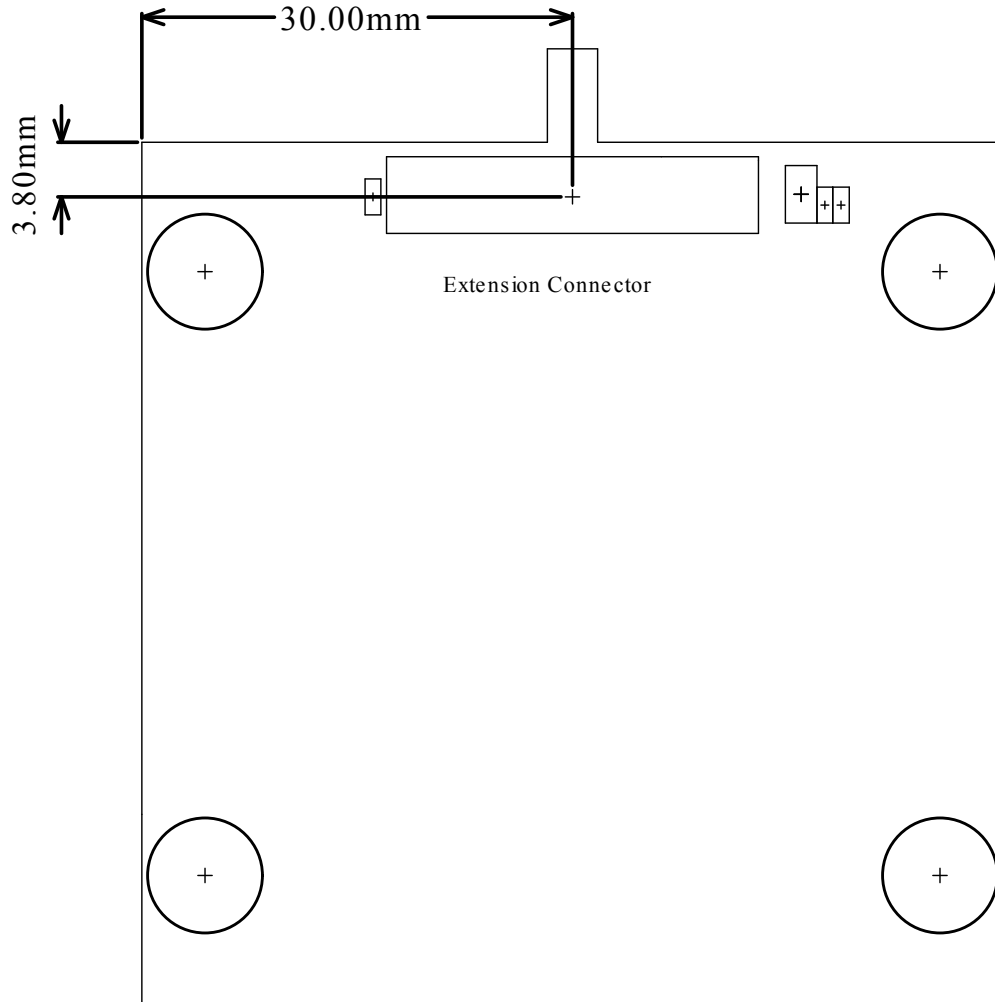
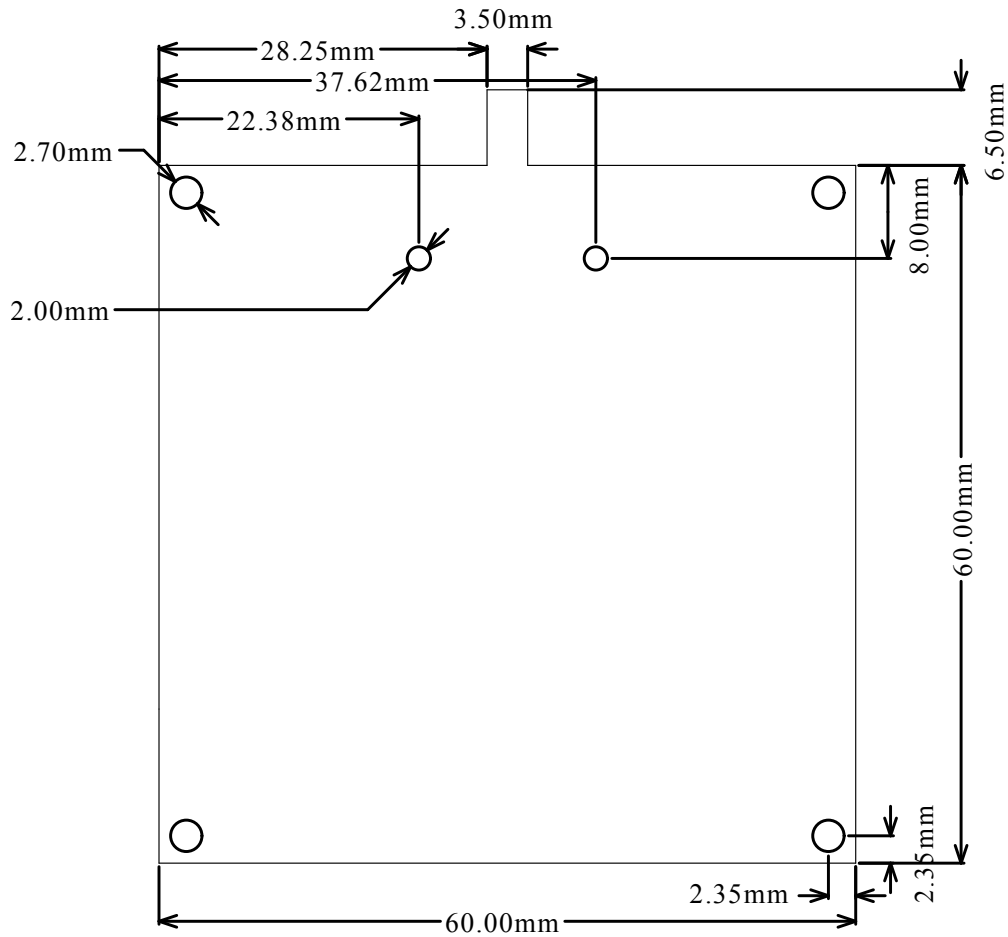


Figure 4-15 Standard Extension 5 Mechanical Dimensions

Mechanical Dimensions



4.1.2. Designing a Board with the Segment LCD Connector

4.1.2.1. Board Size Constraint

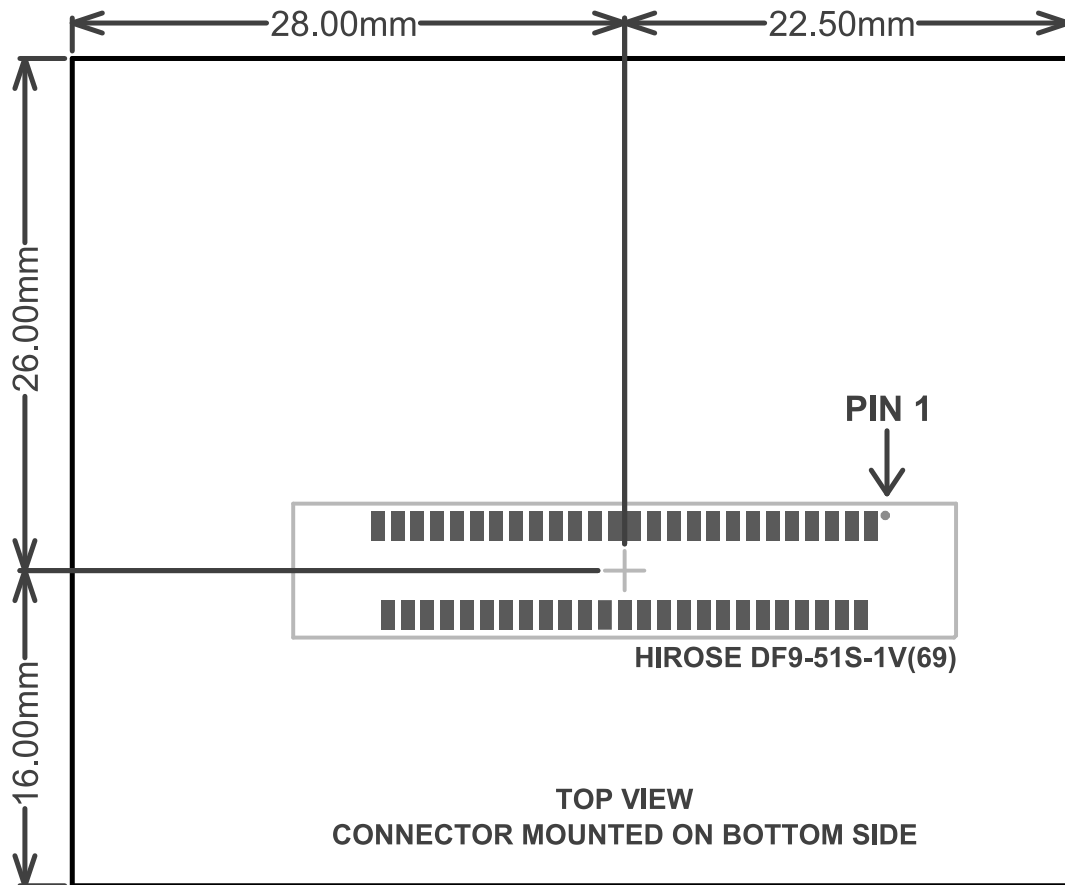
Xplained Pro MCU boards will support segment LCD boards up to **50.5mm x 42mm** with the Hirose DF9-51S-1V(69) connector placed as in the drawing below. The constraints are introduced to avoid collision with other on-board peripherals on Xplained Pro MCU boards. When the Hirose connectors on a MCU board and segment LCD board is stacked the total height is **4.3mm**, any through hole pins on a segment LCD should not be too long as they may collide with resistors/capacitors on the MCU board.



Important:

Segment LCD boards should not be larger than **50.5mm x 42mm** with the Hirose connector located as in the picture below. Boards larger than this may collide with components on an Xplained Pro MCU board.

Figure 4-16 Segment LCD Board Size Constraint



Related Links

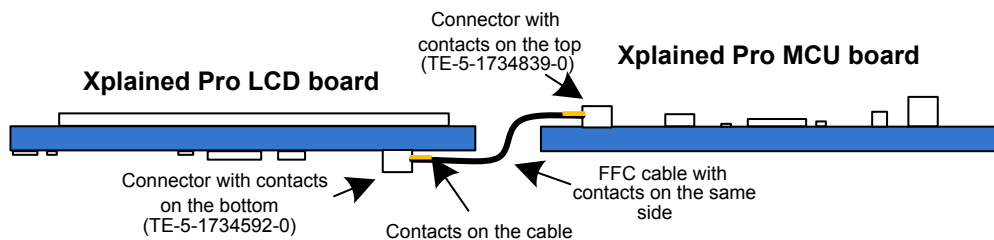
[Xplained Pro Segment LCD Connector](#) on page 21

4.1.3. Designing a Board with the LCD connector

4.1.3.1. Recommended LCD Connector Implementation

The best way to implement the LCD interface is to use a setup as shown in [Figure 4-17 Recommended Connector Implementation and Cabling](#) on page 53 as it is not possible to damage anything when the connection is made in a wrong way e.g. by inserting the cable upside down. On the MCU board a FFC connector with contacts on the top is placed on the top side of the MCU board while on the extension board a connector with contacts on the bottom side is placed on the bottom side of the extension. Recommended connectors are 5-17344592-0 (extension) and 5-1734839-0 (MCU board) from TE Connectivity. The cable itself has the contacts on the same side as indicated in [Figure 4-17 Recommended Connector Implementation and Cabling](#) on page 53.

Figure 4-17 Recommended Connector Implementation and Cabling



In order to place the LCD board sideways or mount it on top/bottom it is necessary to use a set of screws and spacers. [Board Stacking Options](#) on page 26 provides the required information to properly stack the board.

Related Links

[Xplained Pro LCD Extension Connector](#) on page 22

4.1.3.2. Extension Template 6, Medium LCD Board

This board template is designed for boards with large displays. It is the exact same size as a medium Xplained Pro MCU board with mounting hole locations at the exact same place for board stacking purposes. More information on board stacking options can be read about in [Board Stacking Options](#) on page 26.

Features:

- 100mm x 60mm
- One male standard extension header
- One LCD extension connector
- ID system
- Four mounting holes with GND
- Ideal for 2.8" to 3.5" displays

Figure 4-18 Extension Template 6, Medium LCD Board Bottom 3D View

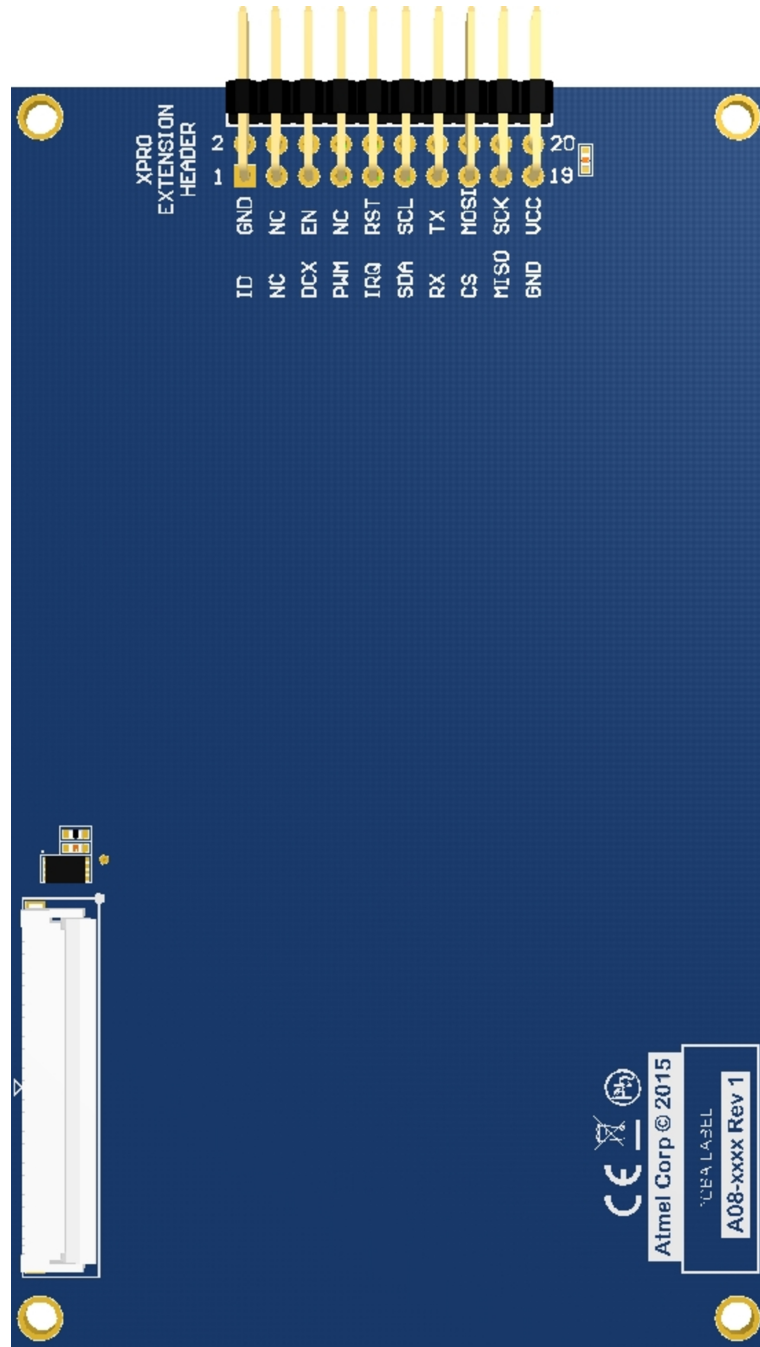


Figure 4-19 Extension Template 6, Medium LCD Board Component Placement

Medium LCD Connector Placement

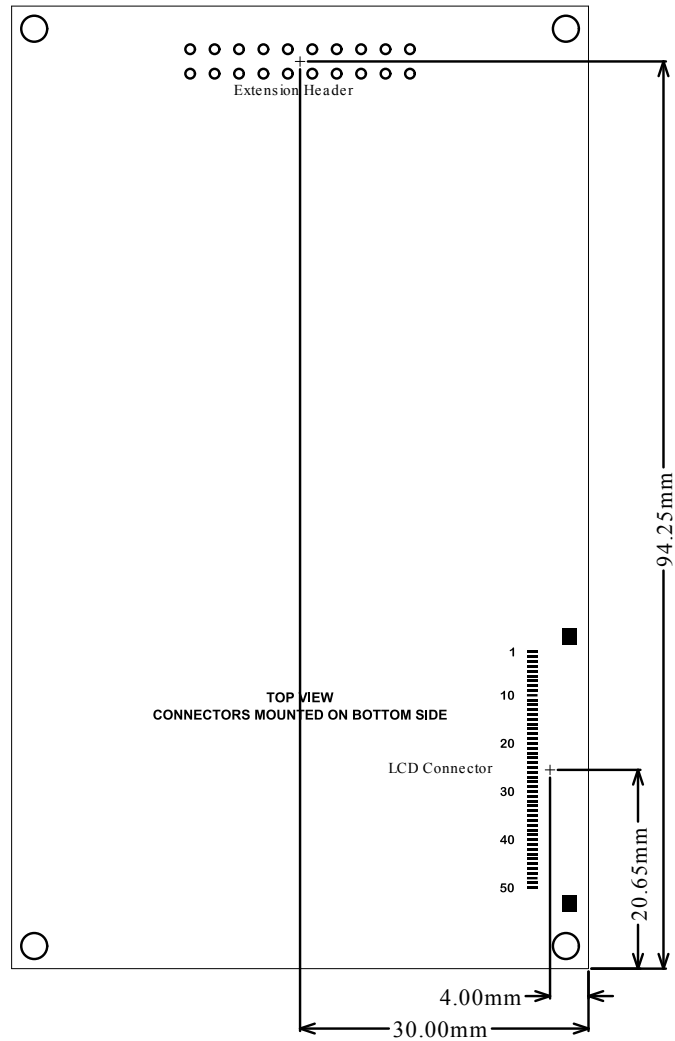


Figure 4-20 Extension Template 6, Medium LCD Board Display Size Estimates

Medium LCD Display Sizes

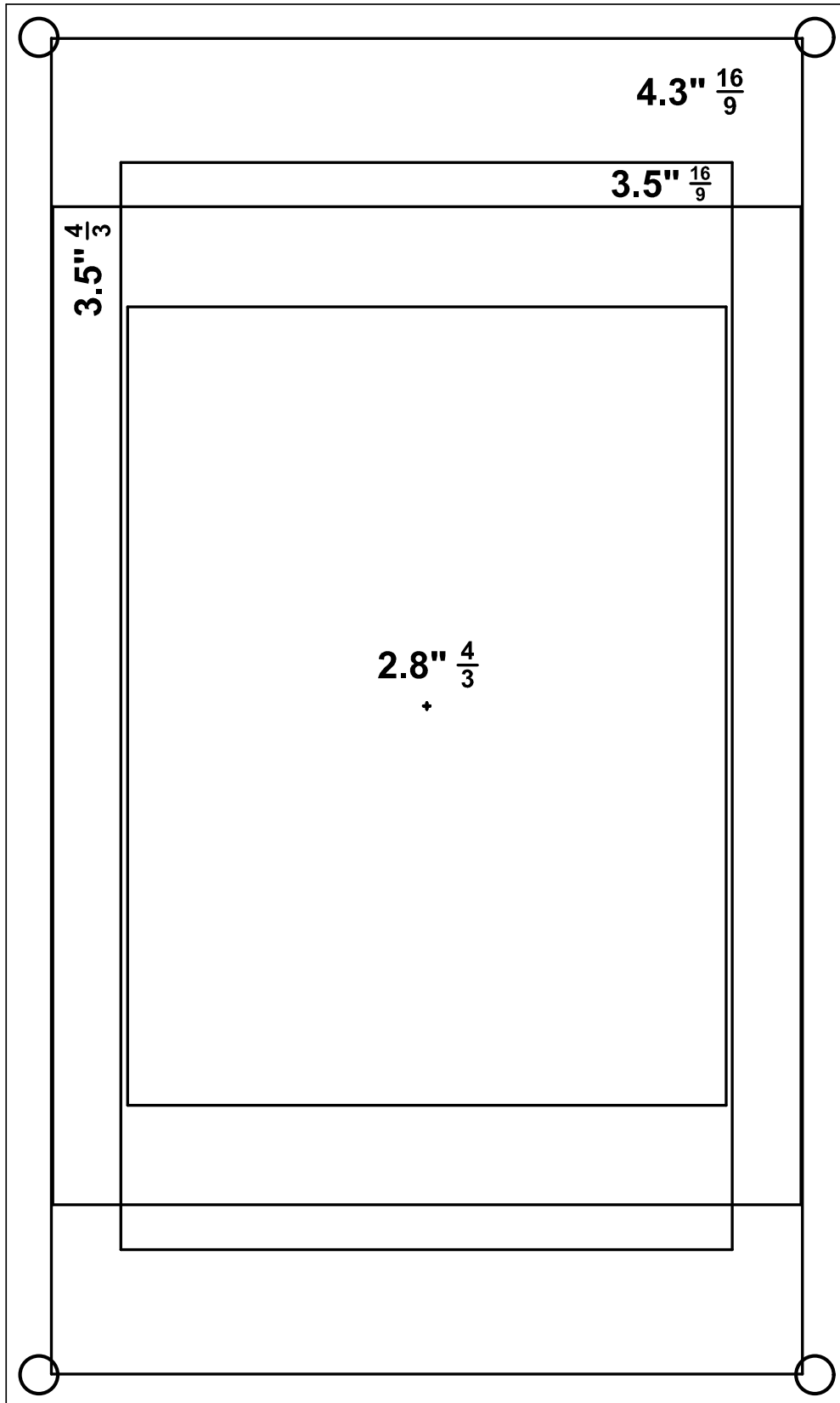
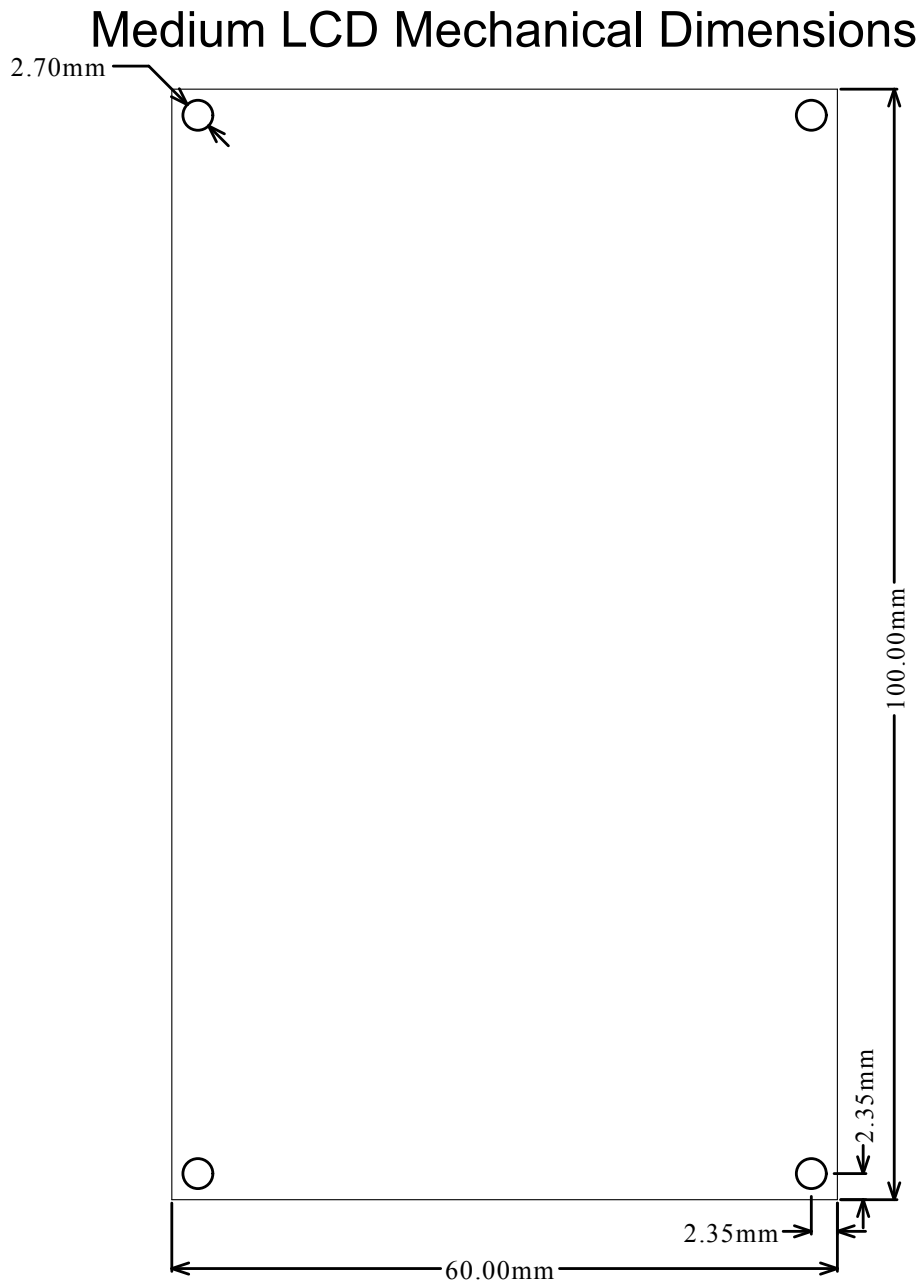


Figure 4-21 Extension Template 6, Medium LCD Board Mechanical Dimensions



4.1.3.3. Extension Template 7, Large LCD Board

This board template is designed for boards with large displays. It is the exact same size as a large Xplained Pro MCU board with mounting hole locations at the exact same place for board stacking purposes. More information on board stacking options can be read about in [Board Stacking Options](#) on page 26.

Features:

- 100mm x 115.3mm
- One male standard extension header

- One LCD extension connector
- ID system
- Six mounting holes with GND
- Ideal for 4.3" to 5.0" displays

Figure 4-22 Extension template 7, Large LCD Board Bottom 3D View

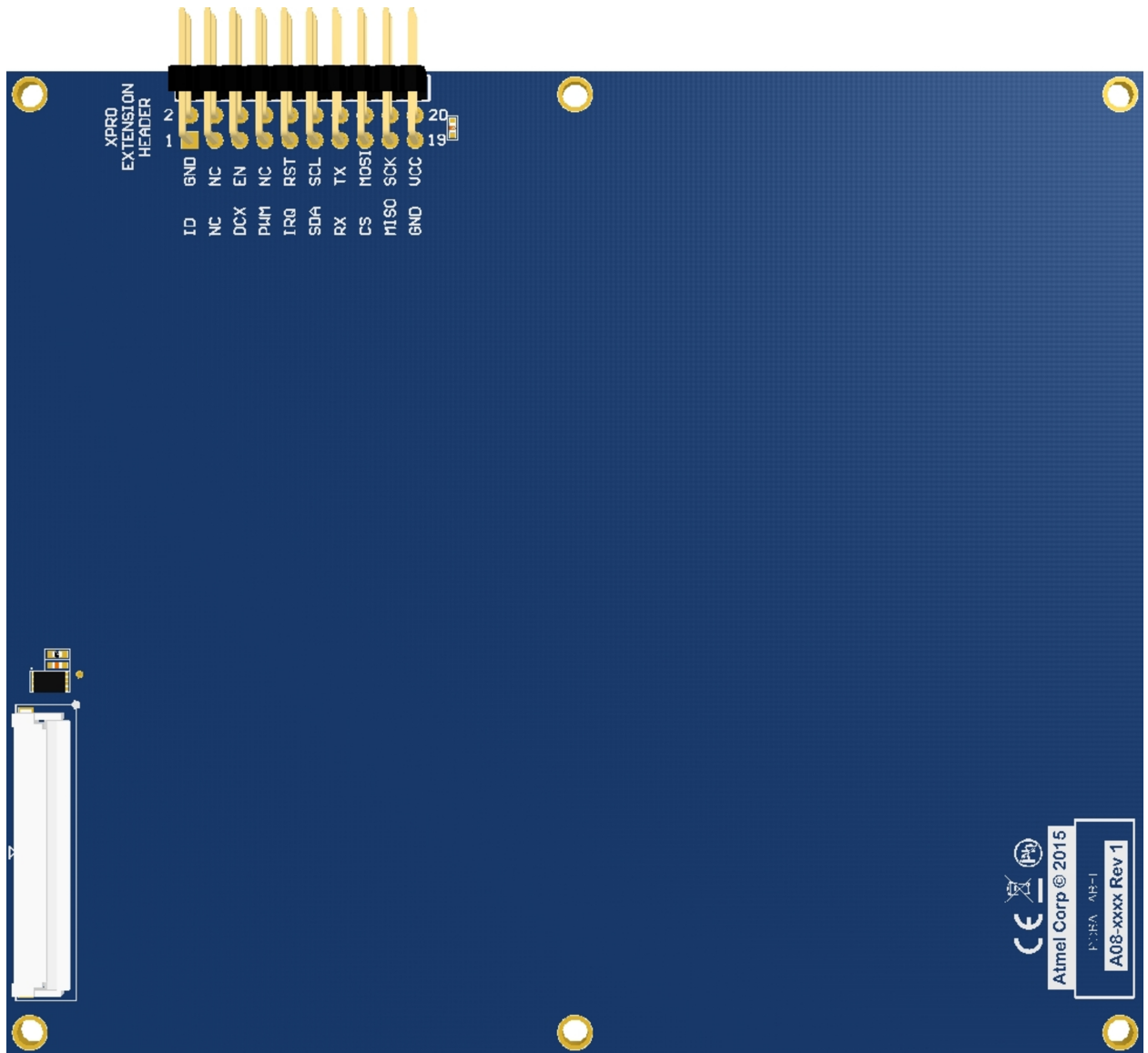


Figure 4-23 Extension Template 7, Large LCD board Component Placement
 Large LCD Component Placement

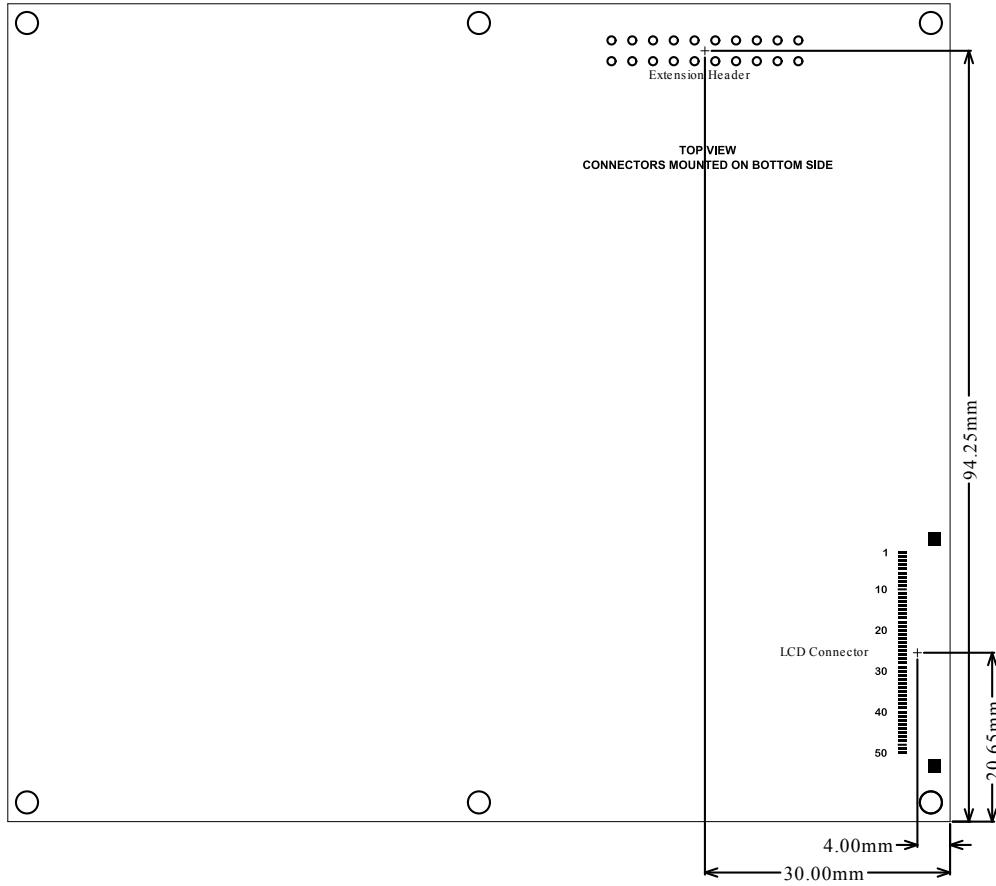


Figure 4-24 Extension Template 7, Large LCD Board Display Size Estimates
 Large LCD Display Sizes

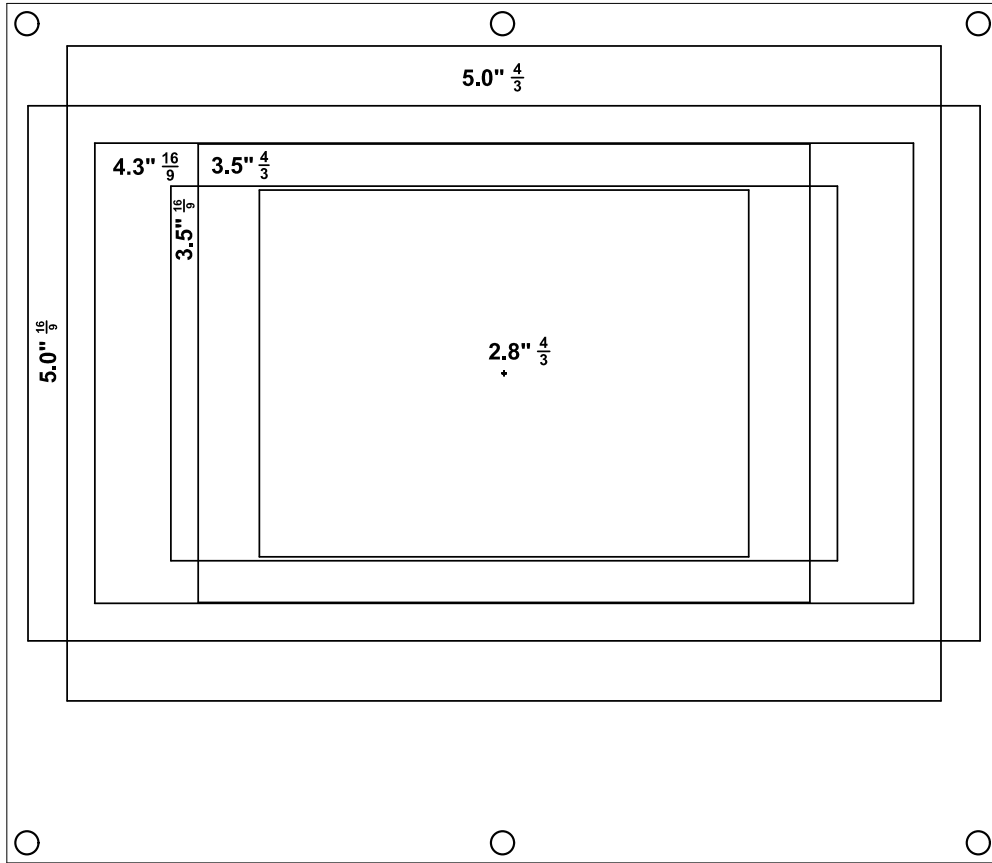
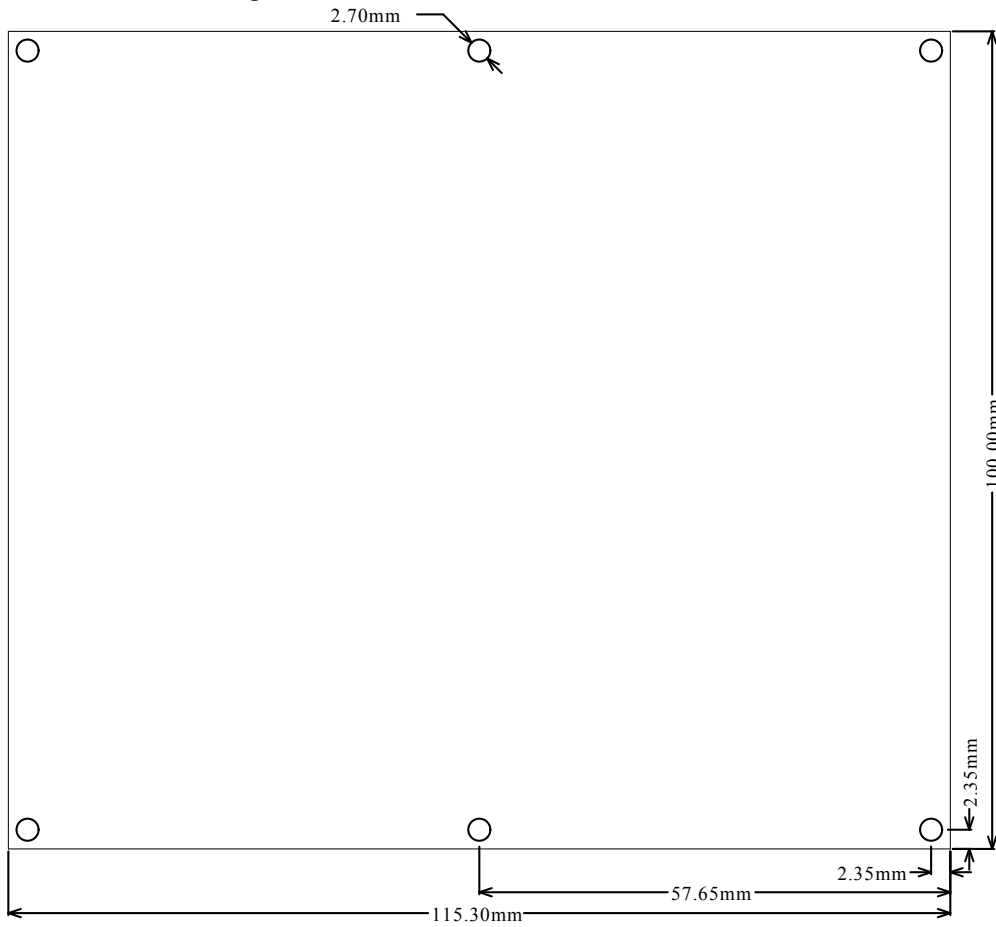


Figure 4-25 Extension Template 7, Large LCD Board Mechanical Dimensions

Large LCD Mechanical Dimensions

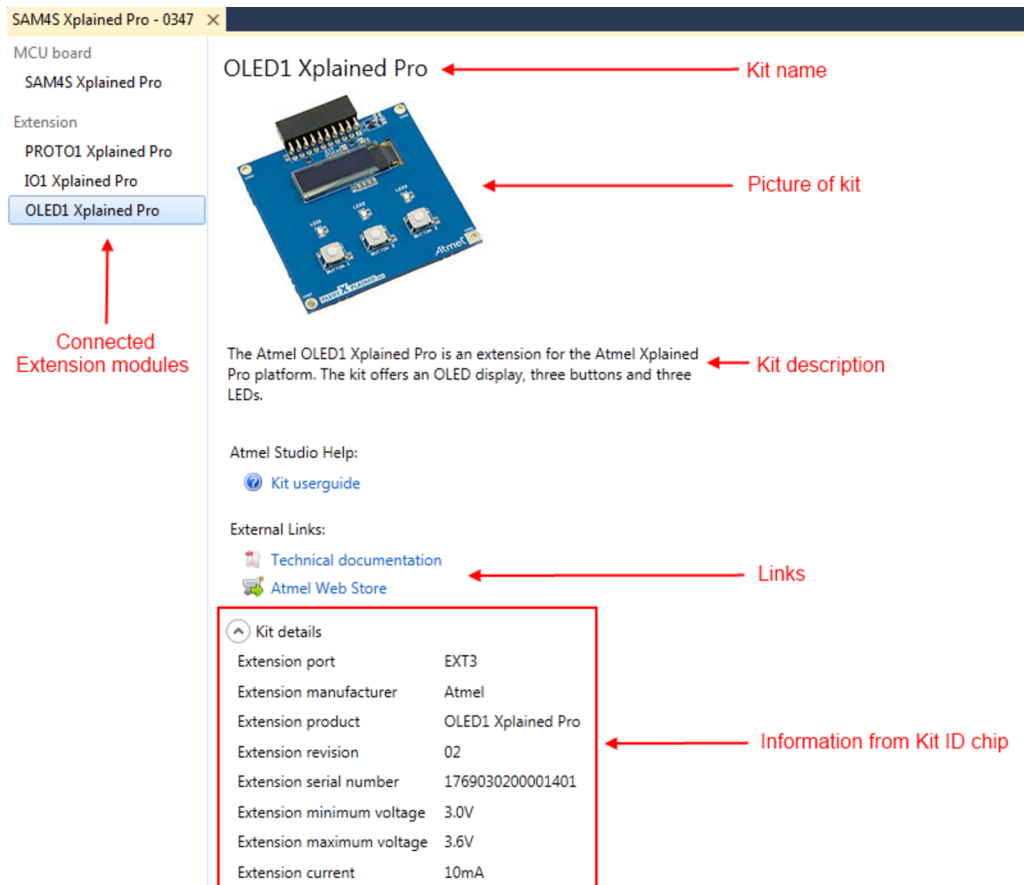


5. Xplained Pro Extensions in Atmel Studio

5.1. Xplained Pro Landing Page

When an Xplained Pro MCU kit is connected to a computer running Atmel Studio, a landing page for the kit is shown. [Figure 5-1 Xplained Pro Landing Page in Atmel Studio](#) on page 63 shows a landing page for SAM4S Xplained Pro with PROTO1-, I/O1-, and OLED1 Xplained Pro connected. The landing page provides information like the connected kits name, a picture of the kit, a description of the kit, links to relevant documentation/websites, and all the information stored in the Xplained Pro ID chip, located on the extension modules.

Figure 5-1 Xplained Pro Landing Page in Atmel Studio



Any developer that would like to add information about an Xplained Pro extension to Atmel Studio has to contact Atmel via e-mail edbg@atmel.com with landing page information and a picture of the kit as shown in the figure above. The landing page uses the name of the kit stored in the ID chip as a key to display the correct information, it is therefore important that Atmel knows the exact name that will be programmed into the chip.

6. Appendix

6.1. Xplained Pro I²C Address List

The [Table 6-2 Xplained Pro I²C Address List](#) on page 64 lists the used I²C addresses on the Xplained Pro platform. Register an I²C address via edbg@atmel.com so that this can be added to the list which will avoid conflicts on the I²C bus. The I²C compatible device addresses in [Table 6-2 Xplained Pro I²C Address List](#) on page 64 must be shifted left to form the SLA+W or SLA+R address when transmitted over the I²C compatible interface as show in [Table 6-1 Format of SLA+W and SLA+R](#) on page 64.

Table 6-1 Format of SLA+W and SLA+R

| Bit 7 | Bit 6 | Bit 5 | Bit 4 | Bit 3 | Bit 2 | Bit 1 | Bit 0 |
|------------------------------------|-------|-------|-------|-------|-------|-------|------------|
| I ² C address e.g. 0x4A | | | | | | | Read/Write |

Table 6-2 Xplained Pro I²C Address List

| I ² C address | Products using this address | Configuration option |
|--------------------------|---|---|
| 0x28 | All Xplained Pro MCU boards (I ² C interface to the embedded debugger) | Cannot be changed permanently so each reboot of the EDBG resets this to the default address. Configuration can be done via Atmel Data Visualizer. |
| 0x29 | BNO055 Xplained Pro | Last bit is configurable by pull-up/down. |
| 0x4A | maXTouch Xplained Pro (mXT112S touchscreen controller) | Not configurable |
| 0x4B | ATMEGA256RFR2 Xplained Pro (temp. sensor) | Last three bits can be configured by soldering. This will also change the last three bits of the EEPROM address on this board because both are within the same device. |
| 0x4F | I/O1 Xplained Pro (temp. sensor) | Last three bits can be configured by soldering. This will also change the last three bits of the EEPROM address on this board because both are within the same device. |
| 0x50 | SAM L22 Xplained Pro (ATAES132A crypto device) | Default device address. Can be changed in internal config register. |
| 0x53 | ATMEGA256RFR2 Xplained Pro (EEPROM) | Last three bits can be configured by soldering. This will also change the last three bits of the temp sensor address on this board because both are within the same device. |
| 0x57 | I/O1 Xplained Pro (EEPROM) | Last three bits can be configured by soldering. This will also change the last three bits of the temp sensor address on this board because both are within the same device. |
| 0x70 | SHTC1 Xplained Pro | Not configurable |

6.2. id_tool Version History

This chapter contains the changelog for the id_tool python CLI used to program/read Xplained Pro ID devices.

6.2.1. Version 1.0

Renamed python package from xpro_id to id_tool

Rewrote the CLI with better error reporting and bugfixes to the EDBG HID driver.

Changed distribution type to pip compatible source distribution, previous versions were released as a Windows® executable.

6.2.2. Version 0.5

Version 0.5 is the initial released version.

7. Document Revision History

| Doc. rev. | Date | Comment |
|-----------|---------|---|
| 42091D | 10/2015 | Updated information. Added information about XAM and QTouch. |
| 42091C | 06/2013 | Restructured the document. Added information about Xplained Pro ID device programming and integration to Atmel Studio |
| 42091B | 03/2013 | Added a new chapter about Atmel Studio integration |
| 42091A | 02/2013 | First release |



Atmel Corporation 1600 Technology Drive, San Jose, CA 95110 USA T: (+1)(408) 441.0311 F: (+1)(408) 436.4200 | www.atmel.com

© 2015 Atmel Corporation. / Rev.: Atmel-42091D-Atmel-Xplained-Pro-Hardware-Development-Kit_User Guide-10/2015

Atmel®, Atmel logo and combinations thereof, Enabling Unlimited Possibilities®, QTouch®, XMEGA® and others are registered trademarks or trademarks of Atmel Corporation in U.S. and other countries. Windows® is a registered trademark of Microsoft Corporation in U.S. and or other countries. Other terms and product names may be trademarks of others.

DISCLAIMER: The information in this document is provided in connection with Atmel products. No license, express or implied, by estoppel or otherwise, to any intellectual property right is granted by this document or in connection with the sale of Atmel products. EXCEPT AS SET FORTH IN THE ATMEL TERMS AND CONDITIONS OF SALES LOCATED ON THE ATMEL WEBSITE, ATMEL ASSUMES NO LIABILITY WHATSOEVER AND DISCLAIMS ANY EXPRESS, IMPLIED OR STATUTORY WARRANTY RELATING TO ITS PRODUCTS INCLUDING, BUT NOT LIMITED TO, THE IMPLIED WARRANTY OF MERCHANTABILITY, FITNESS FOR A PARTICULAR PURPOSE, OR NON-INFRINGEMENT. IN NO EVENT SHALL ATMEL BE LIABLE FOR ANY DIRECT, INDIRECT, CONSEQUENTIAL, PUNITIVE, SPECIAL OR INCIDENTAL DAMAGES (INCLUDING, WITHOUT LIMITATION, DAMAGES FOR LOSS AND PROFITS, BUSINESS INTERRUPTION, OR LOSS OF INFORMATION) ARISING OUT OF THE USE OR INABILITY TO USE THIS DOCUMENT, EVEN IF ATMEL HAS BEEN ADVISED OF THE POSSIBILITY OF SUCH DAMAGES. Atmel makes no representations or warranties with respect to the accuracy or completeness of the contents of this document and reserves the right to make changes to specifications and products descriptions at any time without notice. Atmel does not make any commitment to update the information contained herein. Unless specifically provided otherwise, Atmel products are not suitable for, and shall not be used in, automotive applications. Atmel products are not intended, authorized, or warranted for use as components in applications intended to support or sustain life.

SAFETY-CRITICAL, MILITARY, AND AUTOMOTIVE APPLICATIONS DISCLAIMER: Atmel products are not designed for and will not be used in connection with any applications where the failure of such products would reasonably be expected to result in significant personal injury or death ("Safety-Critical Applications") without an Atmel officer's specific written consent. Safety-Critical Applications include, without limitation, life support devices and systems, equipment or systems for the operation of nuclear facilities and weapons systems. Atmel products are not designed nor intended for use in military or aerospace applications or environments unless specifically designated by Atmel as military-grade. Atmel products are not designed nor intended for use in automotive applications unless specifically designated by Atmel as automotive-grade.