

Large Current External FET Controller Type Switching Regulators



Single/Dual-output High-frequency Step-down Switching Regulator(Controller type)

BD9845FV

No.11028EDT08

●Overview

BD9845FV is an IC containing a circuit of switching regulator controller by pulse width modulation system. This circuit can be used for step-down DC/DC converter operation. In addition, the package is designed compact, and is optimum for compact power supply for many kinds of equipment.

●Feature

- 1) High voltage resistance input ($V_{cc}=35V$)
- 2) FET driver circuit is contained (step-down circuit 1 output).
- 3) Error amplifier reference voltage ($1.0V\pm 1\%$) and REG output circuit (2.5V) are contained.
- 4) Overcurrent detection circuit is contained.
- 5) Soft start and pause period can be adjusted.
- 6) Three modes of standby, master, and slave can be switched. ($i_{ccs} = 0 \mu A$ typ in standby mode.)
- 7) ON/OFF control is enabled independently for each channel. (DT terminal)

●Application

LCD, PDP, PC, AV, Printer, DVD, Projector TV, Fax, Copy machine, Measuring instrument, etc.

●Absolute maximum rating

Item	Symbol	Rating	Unit
Supply voltage	V_{cc}	36	V
Permissible loss	P_d	500* ¹	mW
OUT terminal voltage resistance	OUT	$V_{cc}-7V$ to V_{cc}	V
C5V terminal voltage resistance	C5V	$V_{cc}-7V$ to V_{cc}	V
Operation temperature range	T_{opr}	-40 to +85	°C
Storage temperature range	T_{stg}	-55 to +150	°C
Joint temperature	T_{jmax}	150	°C

*1 When glass epoxy board 70.0 mm × 70.0 mm × 1.6 mm is installed onboard. Reduced by 4.0 mW/C above $T_a=25^\circ C$.

●Operating condition ($T_a=25^\circ C$)

Item	Symbol	Range	Unit
Supply voltage	V_{cc}	3.6 to 35	V
Output terminal voltage	OUT	C5V – V_{cc}	V
Timing capacity	CCT	47 to 3000	pF
Oscillation frequency	F_{osc}	100 to 1500	kHz
STB input voltage	VSTB	0 to V_{cc}	V
SEL input voltage	VSELTB	0 to V_{cc}	V

● Electric characteristics (Ta=25°C, VCC=6V unless otherwise specified)

Item	Symbol	Standard value			Unit	Condition
		Min.	Typ.	Max.		
[VREF output unit]						
Output voltage	VREF	2.450	2.500	2.550	V	Io=0.1 mA
Input stability	Line reg.	—	1	10	mV	Vcc=3.6 V→35 V
Load stability	Load reg.	—	2	10	mV	Io=0.1 mA→2 mA
Current capacity	IOMAX	2	13	—	mA	VREF=(typ.) × 0.95
[Triangular wave oscillator]						
Oscillation frequency	FOSC	95	106	117	kHz	CCP=1800 pF
Frequency fluctuation	FDV	—	0	1	%	Vcc=3.6 V→35 V
[Soft start unit]						
SS source current	ISSO	1.4	2	2.6	μA	SS=0.5 V
SS sink current	ISSI	5	12	—	mA	SS=0.5 V
[Pause period adjusting circuit]						
DT input bias current	IDT	—	0.1	1	μA	DT=1.75 V
DT sink current	IDTSI	1	3.3	—	mA	DT=1.75 V, (OCP+)-(OCP-)=0.5 V
[Low input malfunction preventing circuit]						
Threshold voltage	VUTH	3.0	3.2	3.4	V	Vcc start detection
Hysteresis	VUHYS	—	0.15	0.25	V	
[Error amplifier]						
Non-inverting input reference voltage	VINV	0.99	1	1.01	V	INV=FB
Reference voltage supply fluctuation	dVinv	—	1	6	mV	Vcc=3.6 V→35 V
INV input bias current	IIB	—	0	1	μA	INV=1 V
Open gain	AV	65	85	—	dB	
Max output voltage	VFBH	2.30	—	VREF	V	
Min output voltage	VFBL	—	0.6	1.3	V	
Output sink current	IFBSI	0.5	1.5	—	mA	FB=1.25 V, INV=1.5 V
Output source current	IFBSO	50	105	—	μA	FB=1.25 V, INV=0.5 V
[PWM comparator]						
Input threshold voltage(fosc=100kHz)	Vto	1.4	1.5	1.6	V	On duty 0%
	Vt100	1.9	2	2.1	V	On duty 100%
[Output unit]						
Output ON resistance H	RONH	—	4.0	10	Ω	RONH=(Vcc -OUT)/ Iout, Iout=0.1 A
Output ON resistance L	RONL	—	3.3	10	Ω	RONL=(OUT-C5 V)/ Iout, Iout=0.1 A
C5V clamp voltage	VCLMP	4.5	5	5.5	V	VCLMP= Vcc-C5V, Vcc > 7 V
[Overcurrent protection circuit]						
Overcurrent detection threshold voltage	VOCPH	0.04	0.05	0.06	V	Voltage between(OCP+) and (OCP-)
OCP-input bias current	IOCP-	—	0.1	10	μA	OCP+= Vcc, OCP-= Vcc-0.5 V
Overcurrent detection delay time	tdocpth	—	200	400	ns	OCP-= Vcc→Vcc-0.2 V
Overcurrent detection minimum retention time	tdocpre	0.8	1.6	—	ms	OCP-= Vcc-0.2 V→Vcc
[Standby changeover unit]						
STB flow-in current	ISTB	-	55	100	μA	STB=6V
Standby mode setting range	VSTBL	0	-	0.5	V	
Active (master) mode setting range	VSTBH	3.0	-	Vcc	V	
SEL flow-in current	ISEL	-	15	30	μA	SEL=2.5V
Master mode setting range	VSELL	0	-	0.5	V	
Slave mode setting range	VSELH	2.0	-	Vcc	V	
[Device overall]						
Standby current	ICCS	—	0	1	μA	STB=0 V
Average power consumption	ICCA	1	2.4	4	mA	INV=0 V, FB=H, DT=1.75 V

* Radiation resistance design is not applied.

●Reference data

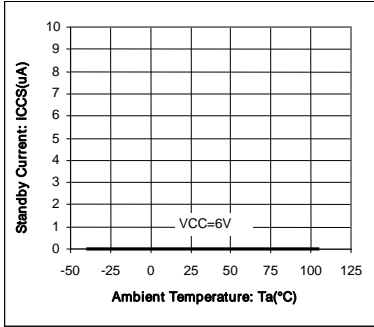


Fig.1 Standby current temperature characteristics

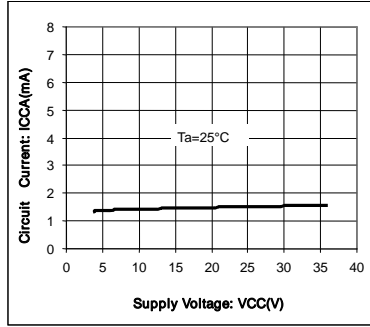


Fig.2 Circuit current in operation

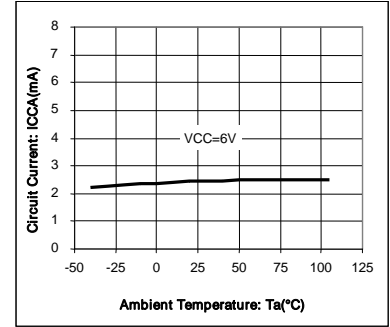


Fig.3 Circuit current temperature characteristics in operation

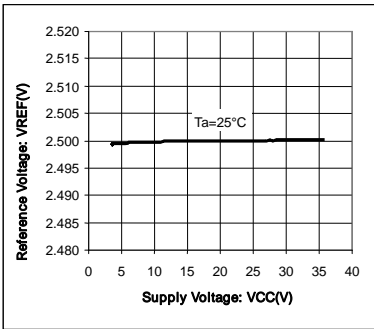


Fig.4 VREF supply voltage characteristics

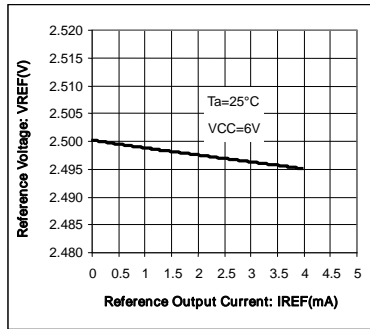


Fig.5 VREF current capability

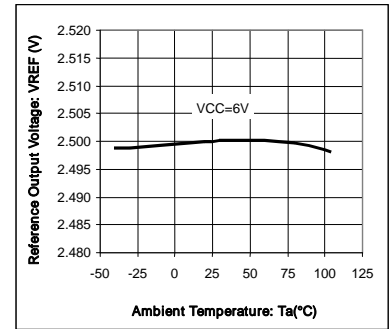


Fig.6 VREF temperature characteristics

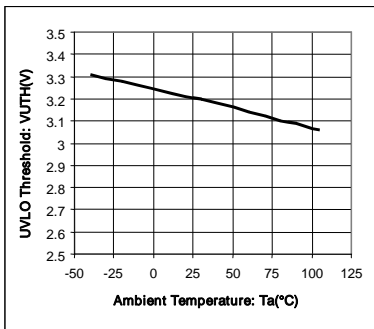


Fig.7 UVLO threshold temperature characteristics

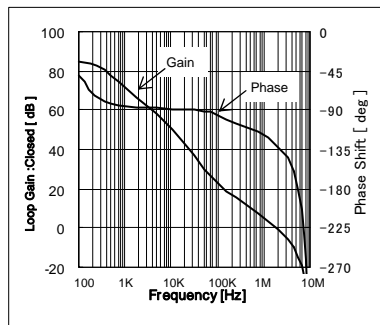


Fig.8 Error amplifier I/O characteristics

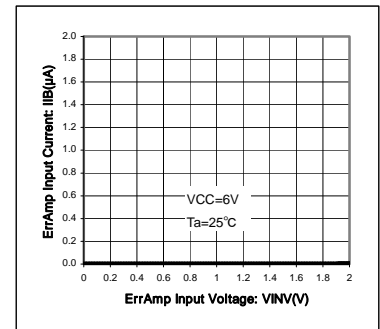


Fig.9 Error amplifier input current

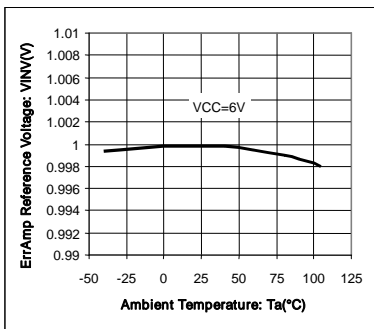


Fig.10 Error amplifier reference voltage temperature characteristics

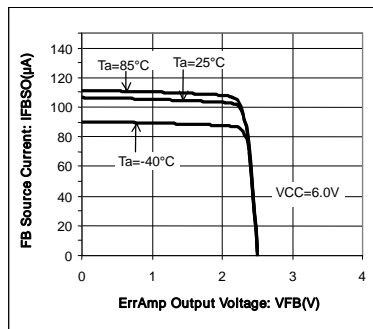


Fig.11 FB output source current

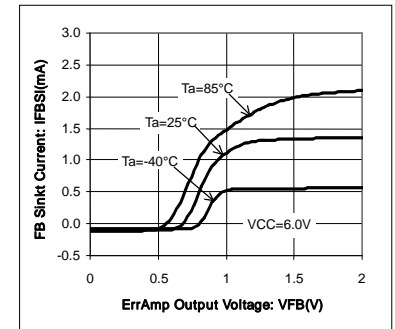


Fig.12 FB output sink current

●Reference data

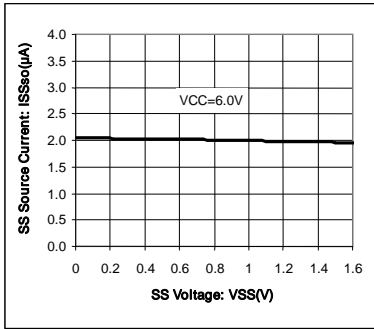


Fig.13 SS source current

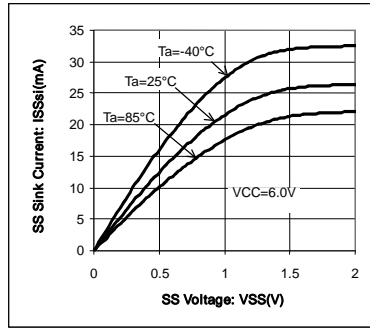


Fig.14 SS sink current

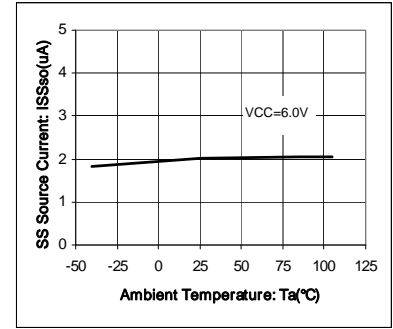


Fig.15 SS source current temperature characteristics

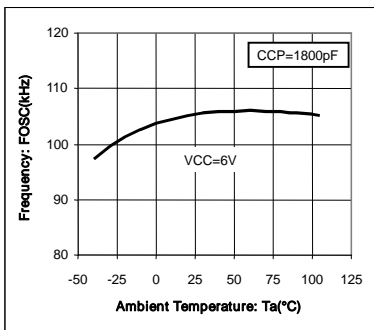


Fig.16 Oscillation frequency temperature characteristics

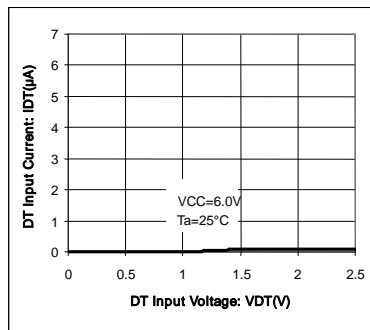


Fig.17 DT bias current

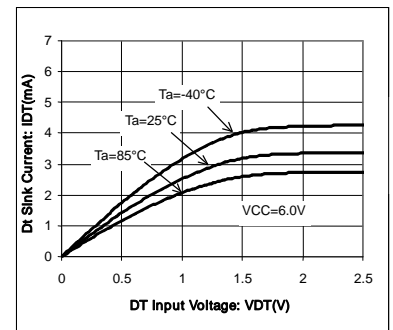


Fig.18 DT sink current

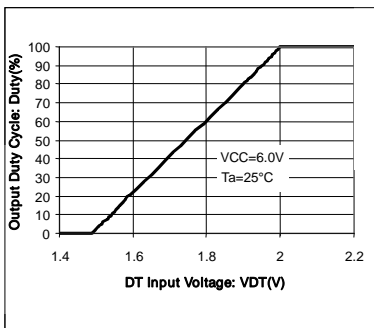


Fig.19 Output Duty-VDT characteristics (100kHz)

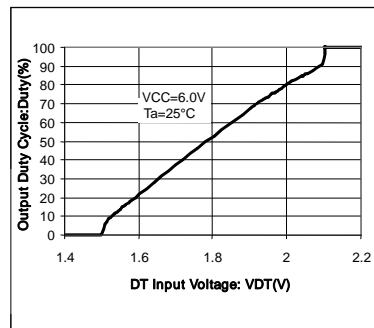


Fig.20 Output Duty-VDT characteristics (1.5MHz)

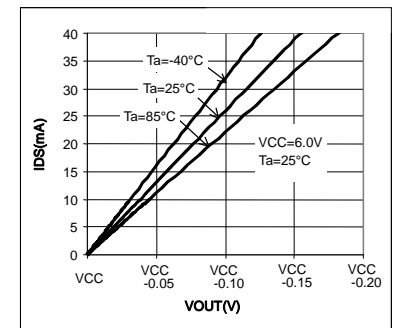


Fig.21 Output ON resistance H (RONH)

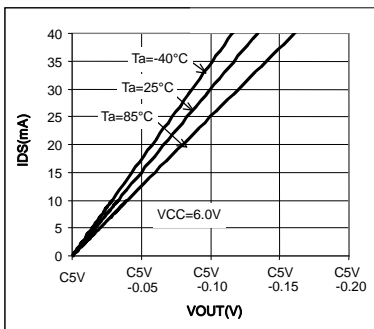


Fig.22 Output ON resistance L (RONL)

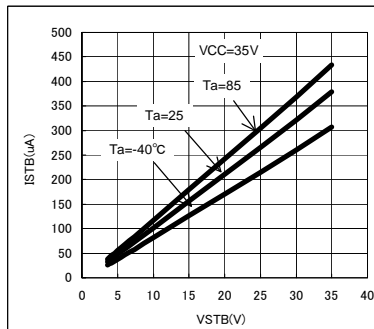


Fig.23 STB flow-in current

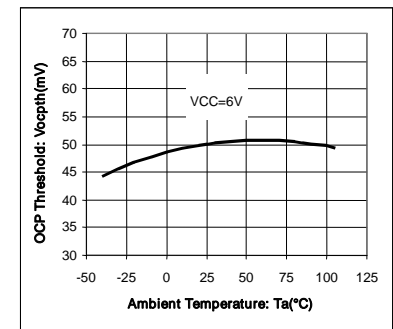


Fig.24 Overcurrent detection voltage temperature characteristics

●Reference data

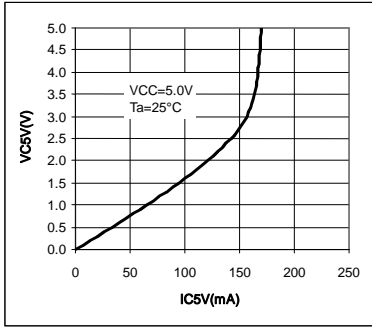


Fig.25 C5V saturation voltage

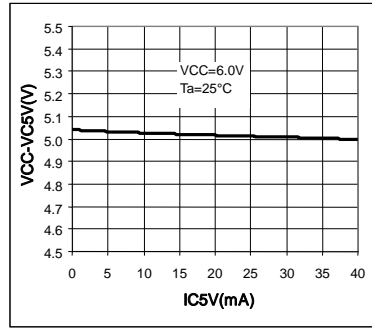


Fig.26 C5V load regulation

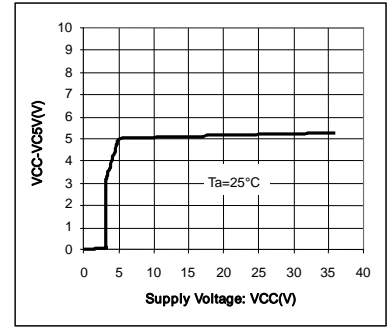


Fig.27 C5V line regulation

●Block diagram/Pin layout

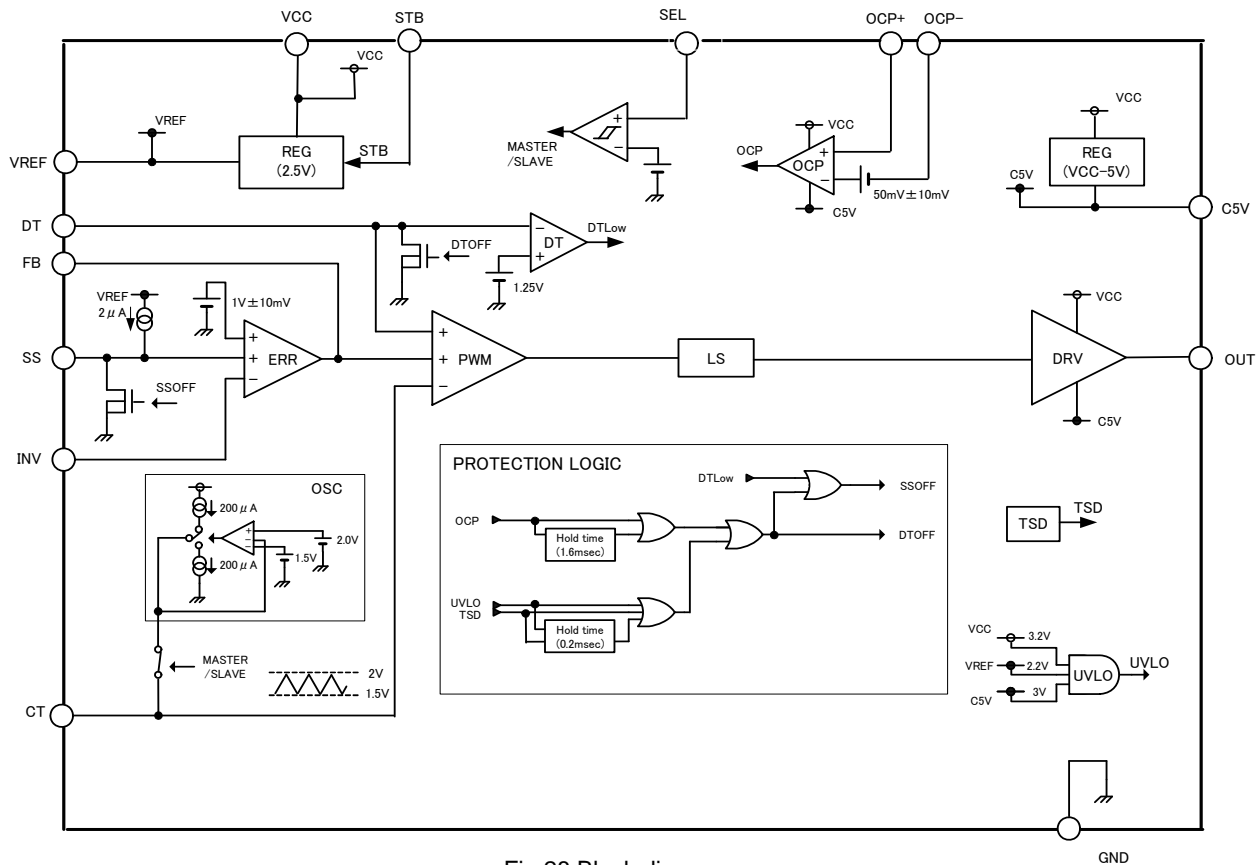


Fig.28 Block diagram

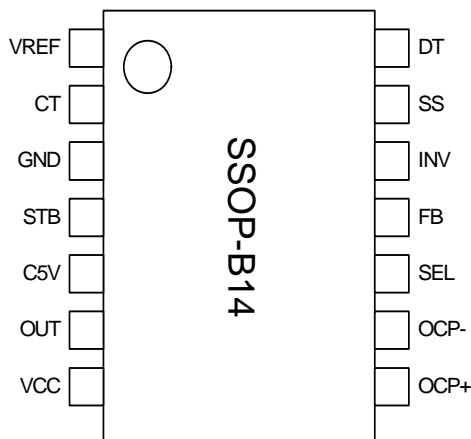


Fig.29 Pin layout

Terminal number	Terminal name	Function
1	VREF	Reference voltage (2.5V) output terminal
2	CT	Timing capacity external terminal
3	GND	GROUND
4	STB	Standby mode setting terminal
5	C5V	Output L side voltage (Vcc-5V)
6	OUT	Output
7	Vcc	Power terminal
8	OCP+	Output Overcurrent detector + Input terminal
9	OCP-	Output Overcurrent detector - Input terminal
10	SEL	Master/Slave mode setting terminal
11	FB	Output Error amplifier output terminal
12	INV	Output Error amplifier - input terminal
13	SS	Output Soft start time setting terminal
14	DT	Output Dead time setting terminal

●Operation description of each block and function

1) REG (reference voltage unit)

As for REG (2.5V), reference voltage (2.5V) stabilized better than supply voltage input to VCC terminal is supplied as an operation voltage of IC internal circuit, as well as output outside through VREF terminal. Insert a capacitor of 1uF to VREF terminal.

As for REG (VCC-5V), voltage of VCC-5V is supplied as power supply (LDO) of driver circuit (DRV) of OUT terminal, as well as output outside through C5V terminal. Insert a capacitor of 1uF to VCC terminal of C5V terminal.

2) ERR Amp (error amplifier)

In step-down application, inverting input INV of error amplifier detects output voltage by sending back feedback current from final output stage (on load side) of switching regulator. R1 and R2 connected to this input terminal are resistor for setting output voltage. Non-inverting input of amplifier is a reference input of error amplifier itself by adding reference voltage (1.0V) inside IC. Rf and Cf connected between FB, which is output from error amplifier, and INV are for feedback of error amplifier, and allows setting of loop gain. FB is connected to PWM Comp and supplied as non-inverting input.

Setting of output voltage (Vo) is as follows:

$$V_o = \frac{R1+R2}{R2} \times 1.0V$$

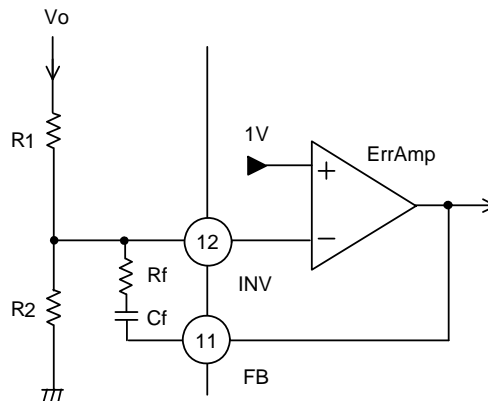


Fig.30

3) OSC (triangular wave oscillating unit)

Generates triangular wave for inputting to PWM Comp.

First, timing capacitor C_{CT} connected between CT terminal and GND is charged by constant current (200 uA) generated inside IC. When CT voltage reaches 2.0 V typ, the comparator is switched, and then C_{CT} is discharged by constant current (200 uA). Then, when CT voltage reaches 1.5V, the comparator is switched again, and C_{CT} is charged again. This repetition generates triangular wave.

Oscillation frequency is determined by externally mounted C_{CT} through theoretical formula below:

$$f_{osc} \approx I_{CT} / (2 \cdot C_{CT} \cdot \Delta V_{osc})$$

- ICT : CT sink/source current 200 uA typ
- ΔVosc : Triangular wave amplifying voltage=(Vt0-Vt100)=0.50 V typ.

Here, error from theoretical formula is caused by delay of internal circuit at a high frequency. See the graph in Fig 31 for setting.

This triangular wave can be taken out through CT terminal. It is also possible to input the oscillator externally by switching to slave mode described later. Waveform input here in principle must be triangular wave of V_{peak} = (1.5V ↔ 2.0V) equivalent to internal oscillation circuit.

External input voltage range

$$V_{CT} : 1.4 V < V_{CT} < 2.3 V$$

Standard external C_{CT} range

$$C_{CT} : \text{MIN.}47 \text{ pF} - \text{MAX.}3000 \text{ pF}$$

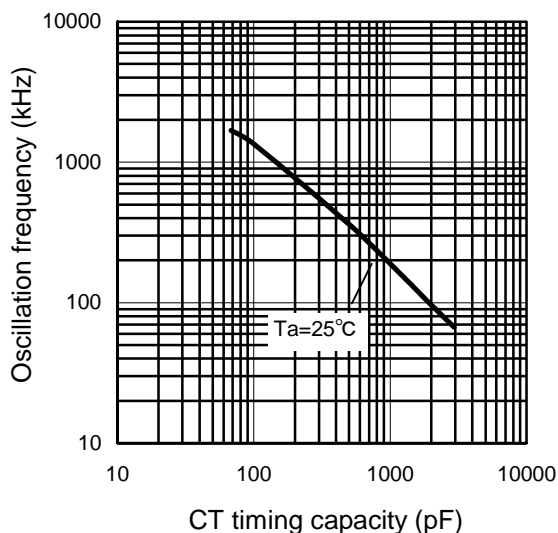


Fig.31

4) Soft start (soft start function)

It is possible to provide SS terminal (13pin) with soft start function by connecting C_{SS} as shown on the right.

Soft start time T_{SS} is shown by the formula below:

$$T_{SS} = C_{SS} \cdot \frac{V_{inv}}{I_{SSO}}$$

C_{SS} : SS terminal connection capacity
 V_{inv} : Error amplifier reference voltage (1V typ)
 I_{SSO} : SS source current (2uA typ)

(Ex) When C_{SS} = 0.01 uF

$$T_{SS} = \frac{0.01 \times 10^{-6} \times 1}{2 \times 10^{-6}} = 5 \text{ [msec]}$$

In order to function soft start, time must be set longer enough than start time of power supply and STB.

It is also possible to provide function of soft start by connecting the resistor (R1/R2) and capacitor (C_{DT}) to DT terminal (14pin) as shown on the right.

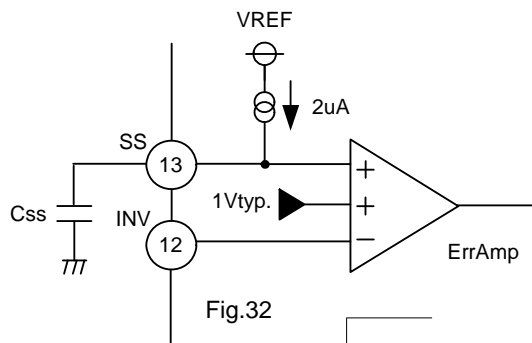


Fig.32

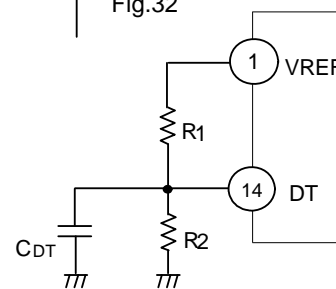


Fig.33

5) PWM Comp - DEAD TIME (Pause period adjusting circuit - dead time)

Dead time can be set by applying voltage dividing resistance between VREF and GND to DT terminal.

PWM Comp compares the input dead time voltage (DT terminal voltage) and error voltage from Err Amp (FB terminal voltage) with triangular wave, and turns off and on the output. When dead time voltage < error voltage, duty of output is determined by dead time voltage. (When dead time setting is not used, pull up DT terminal to VREF terminal with resistor approx 10 k ohms.)

Dead time voltage VDT in Fig 32 is shown by the formula below:

$$VDT = VREF \cdot \frac{R2}{R1 + R2}$$

Relation between VDT and Duty [See the graph on the right.]

	Duty 100%			Duty 0%		
	min	typ	max	min	typ	max
When f = 100kHz	1.9	2.0	2.1	1.4	1.5	1.6
When f = 1.5MHz	1.95	2.1	2.25	1.35	1.5	1.65

[Unit : V]

Be careful when oscillation frequency is high, upper/lower limit of triangular wave (Vt100/Vt0) is shifted by delay time of comparator to directions expanding amplitude.

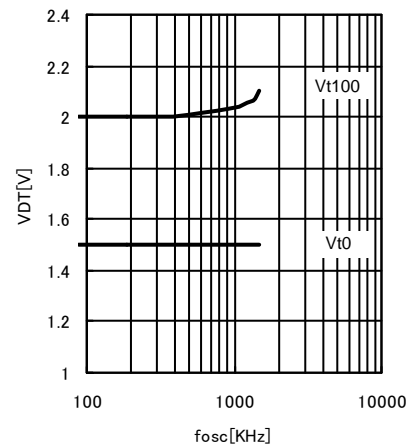


Fig.34

6) OCP Comp (overcurrent detection circuit)

This function provides protection by forcibly turning off the output when abnormal overcurrent flows due to shorting of output, etc. When voltage between terminal OCP+(8pin)/OCP-(9pin) monitoring the current with sense resistor exceeds overcurrent detection voltage (50 mV typ), it is determined as overcurrent condition, and switching operation is stopped immediately by setting OUT to "H" and DT,SS (and FB) to "L".

It is automatically recovered when voltage between terminal OCP+/OCP- is below overcurrent detection voltage.

In addition, although hysteresis, etc. are not set here, minimum detection retention time (1.6ms typ) is set for suppressing the heating of FET, etc. (See the timing chart.)

When the overcurrent detection circuit is not used, short-circuit both terminal OCP+/OCP- to VCC pin.

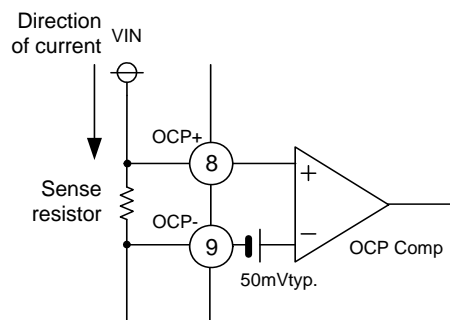


Fig.35

7) STB /SEL(Standby/Master/Slave function)

Standby mode and normal mode can be switched by STB terminal (4pin).

1. When $STB < 0.5V$, standby mode is set.
Out put stop (OUT=H) and REG also stops. Circuit current is also $I_{sc} = 0 \mu A$ here.
2. When $STB > 3.0V$, normal operation mode is set.
All circuits operate. Use the controller normally in this range.

Master mode and slave mode can be switched by SEL terminal (10pin).

1. When $SEL < 0.5V$, master mode is set.
All circuits operate.
2. When $SEL > 0.5V$, slave mode is set.

Operation status is set , but OSC block alone is stopped, CT terminal is High-Z here, and triangular wave is not output.(PWM circuit and protection circuit perform the same operation as usual.) Therefore, if the controller is used in this more without using master IC, triangular wave is not emitted, operation is unstable, and normal output cannot be obtained. Be careful.

8) OUT (Output: External FET gate drive)

OUT terminal (6pin) is capable of directly driving the gate of external (PchMOS) FET. Amplitude of output is restricted between V_{cc} and $C5V (V_{cc}-5V)$, and is not restricted by voltage resistance of gate by input voltage, which allows broad selection of FET.

However, for precaution when selecting FET, there is a restriction that input capacity of gate is determined by current capability of $C5V$ and permissible loss of IC, therefore refer to the permissible range in the graph on the right when determining FET.

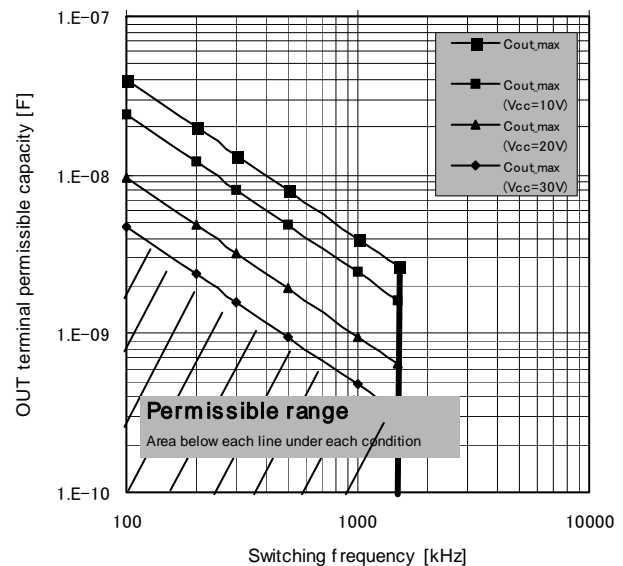


Fig.36

9) Protection (other protection functions)

This IC is equipped with low input malfunction prevention circuit (UVLO) and abnormal temperature protection circuit (TSD) in addition to overcurrent detection circuit (OCP).

Low input malfunction prevention circuit is for preventing unstable output when input voltage is low.

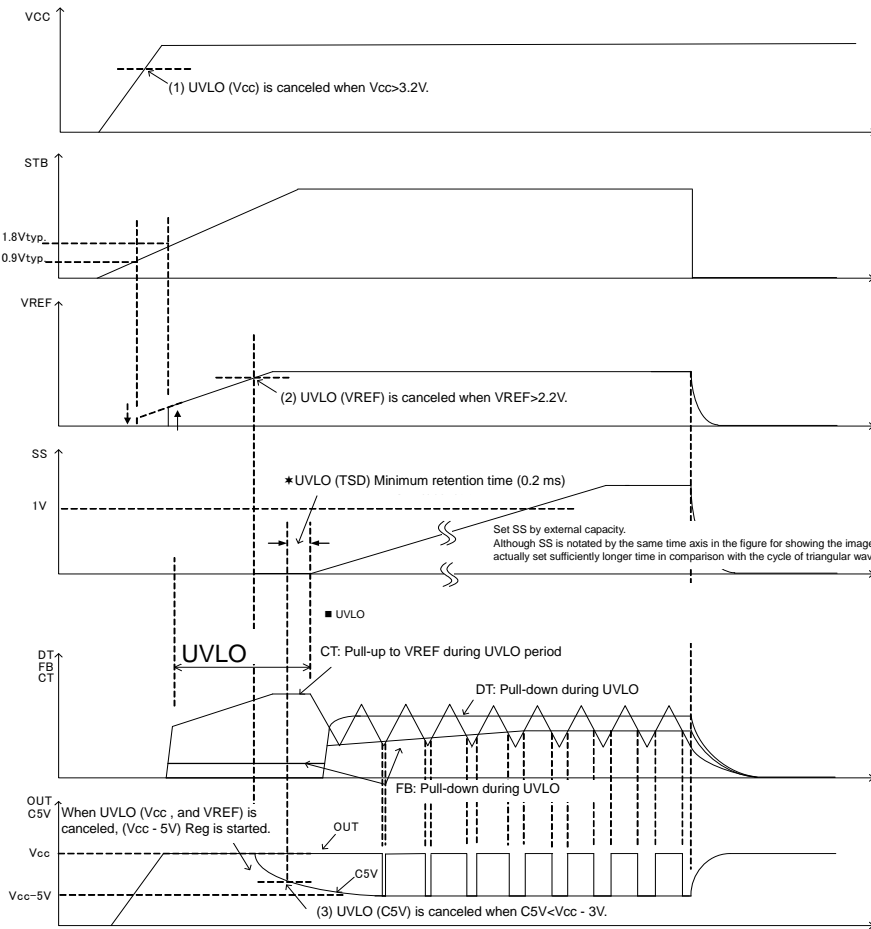
Three positions of V_{cc} (3.2V), V_{REF} (2.35V), and $C5V(V_{cc}-3V)$ are monitored, and output is made only when all are canceled. (See the timing chart.)

Abnormal temperature protection circuit is for protecting IC chip from destruction for preventing runaway when abnormal heating is caused on IC exceeding rated temperature. (It does not operate normally.)

Apply a design with full margin allowed for heating in consideration of permissible loss.

●Timing chart

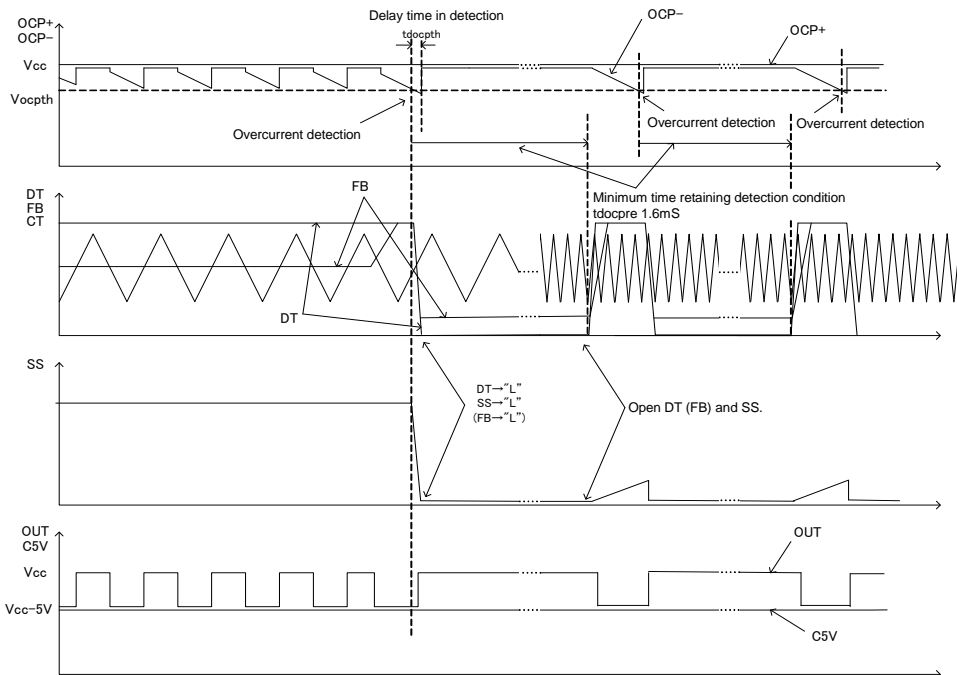
◎Starting characteristics (UVLO cancel) and standby operation



UVLO voltage [unit: V]

Item	Min	Typ	Max
Threshold voltage (VCC)	3.0	3.2	3.4
Hysteresis	-	0.15	0.25
Threshold voltage (VREF)	2.0	2.2	2.4
Threshold voltage (C5V)	-	3.0	3.4

◎Overcurrent detection (When output is shorted: Overcurrent detection and cancel are repeated at a specified time interval.)



●Example of application circuit

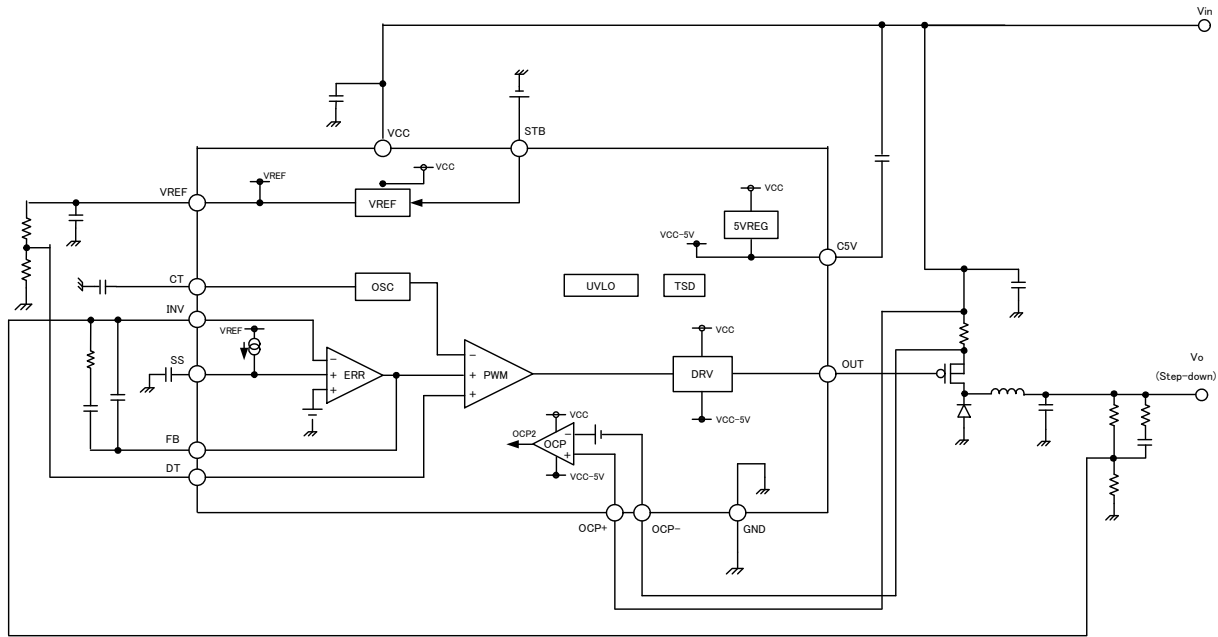


Fig.37

- 1) Setting of output unit coil (L) and capacitor (Co)
Set the coil and capacitor as follows in step-down application:

<Setting of L-value>

When load current gets heavy, the current flowing through the coil gets continuous, and the relation below is established:

$$L = \frac{T_{sw}}{\Delta I_L} \times \frac{(V_{in}-V_o) \times V_o}{V_{in}}$$

Vin: Input voltage

Tsw: 1/(switching frequency)

Delta IL: Ripple current of coil

Normally set Delta IL below 30% of the maximum output current (Iomax).

When L-value is made greater, ripple current (Delta IL) becomes smaller. In general, the greater the L-value is, the smaller the permissible current of coil gets, and when the current exceeds permissible current, the coil is saturated and L-value changes. Contact the coil manufacturer and check permissible current.

<Setting of output capacitor Co>

Select an output capacitor Co by ESR (equivalent serial resistance) property of capacitor. Output ripple voltage (Delta Vo) is almost ESR of output capacitor, therefore,

$$\Delta V_o \cong \Delta I_L \times ESR \quad \text{ESR: Equivalent serial resistance of output capacitor Co}$$

The relation above is established.

Ripple component by output capacitor is small enough to be neglected in comparison with ripple component by ESR in many cases. As for Co value, it is recommended to use a sufficiently large capacitor with a capacity that satisfies ESR condition.

<Switching element>

Determine a switching element by peak current. Peak current Isw <peak> flowing through the switching element is equal to peak current flowing through the coil, therefore the equation below is established.

$$I_{sw}(\text{peak}) = I_o + \Delta I_L / 2$$

Select a switching element of permissible current having a sufficient margin over peak current calculated by the equation.

2) Example of overcurrent protection circuit

Insert a sense resistor between the source and VIN of output Pch-FET for detecting overcurrent as shown in the figure. Refer to the formula below for determining a sense resistor and select permissible loss ensuring a margin.

$$R_{sense} = \frac{V_{ocpth}}{I_{ocp}}$$

V_{ocpth} : Overcurrent detection voltage (50 mV typ)
 I_{ocp} : Overcurrent detection setting current

I_{ocp} is a peak current I_{sw} (peak) here, and the amperage for output load is an overcurrent setting amperage minus ripple current component ($\Delta I/2$), etc. (See the formula on P10.) There is a time delay approx 200ns from detection until stop of output is made (pulse of approx 100 ns causes delay time but detection is made), and an error may be caused from the value above.

In addition, input to overcurrent detection unit is such a sensitive circuit, and wrong detection by noise may be possible. When wrong detection occurs, try to eliminate noise by the resistor R1 and R2 or capacitance C1, C2, C3, and C4 shown above.

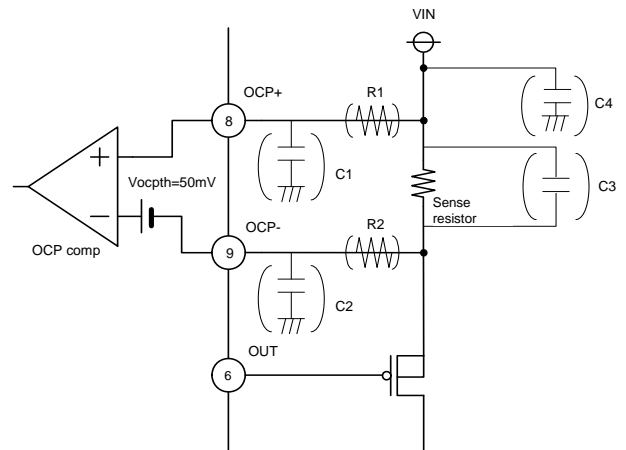


Fig.38

3) Example of output ON/OFF control circuit

When stopping the whole circuit, set STB terminal to "Low ($STB < 0.5V$)" to stop switching and reduce power consumption of IC to 0 microA (typ).

Also when switching ON and OFF for each channel, control is fixed to OFF by setting DT terminal of desired channel to "Low ($DT < 1.25V$)". This control is independent for each channel, and when $DT = "L"$, SS terminal and FB terminal are also discharged, and soft start is enabled in restarting.

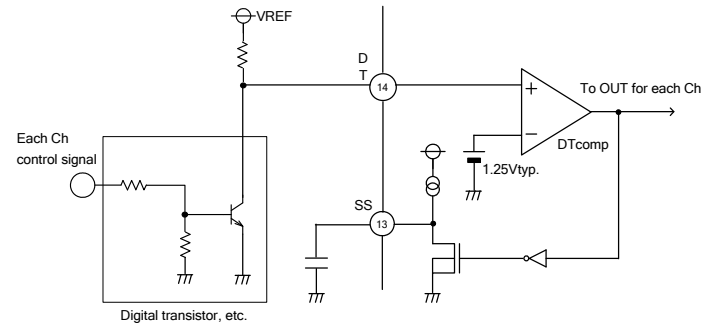


Fig.39

4) Example of master/slave (sync multi-ch output) operation circuit

This IC is set to slave mode by setting the input of STB terminal at $2.5V \pm 0.1V$, and multi-channel output is enabled with frequency synchronized. (Fig.40) However, CT terminal has high impedance in slave mode status, and triangular wave is generated by CT waveform of master mode IC. Therefore the example of master slave circuit below is recommended when starting and stopping in order to avoid malfunction by start/stop timing of master IC and slave IC. As for output, it is recommended to control ON/OFF reliably with DT terminal.

Also, oscillation frequency is determined by capacitor (C_{CT}) connected to CT. When the slave IC is large in number as well as oscillation frequency is high, parasitic capacity by board wiring in contact with CT cannot be ignored, and preset frequency may be drifted. Be careful.

Example of master/slave circuit configuration is shown below. If any other configuration is to be applied, inform our personnel in charge.

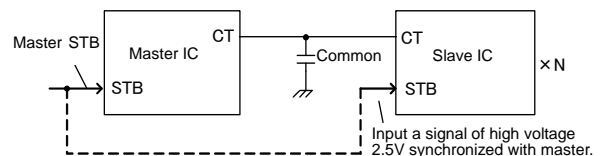


Fig.40

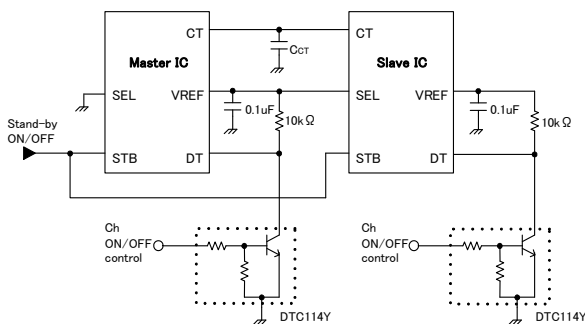


Fig 41. Example of master/slave

5) About board layout

In order to make full use of IC performance, fully investigate the items below in addition to general precautions.

- Each output of OCP+/OCP- is such a sensitive circuit. When wiring is routed around, it is easily subjected to noise. Try to make the wiring as short as possible.
- Switching of large current is likely to generate noise. Try to make the large current route (VIN, Rsense, FET, L, Di, and Cout) as thick and short as possible, and try to apply one-point grounding for GND. OUT terminal is also a switching line, and it must be wired along a distance as short as possible. (When multi-layer board is used, shielding by intermediate layer also seems to be effective.)
- C_{CT} and C_{VREF} are reference of all, and must be wired along the shortest distance to GND of IC stabilized to be protected against external influence.
- Also be careful not to allow common impedance to sense family GND.

6) PIN processing of channel unused

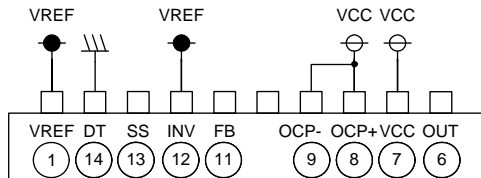


Fig.43

When only one channel is used, process unused channels as shown above.

● I/O equivalent circuit diagram

<p>2pin(CT)</p>	<p>14pin (DT)</p>	<p>13pin (SS)</p>	
<p>12pin (INV)</p>	<p>11pin (FB)</p>	<p>9pin (OCP-)</p>	
<p>5pin (C5V)</p>	<p>6pin (OUT)</p>	<p>8pin (OCP+)</p>	
<p>4pin (STB)</p>	<p>10pin (SEL)</p>	<p>1pin (VREF)</p>	<p>3pin (GND) , 7pin (VCC)</p>

●Notes for use

- 1) About maximum absolute rating
When the maximum absolute rating of application voltage or operation voltage range is exceeded, it may lead to deterioration or rupture. It is impossible to forecast rupture in short mode or open mode. When a special mode is expected exceeding the maximum absolute rating, try to take a physical safety measure such as a fuse.
- 2) GND potential
Ensure that the potential of GND terminal is the minimum in any operation condition. Also ensure that no terminal except GND terminal has a voltage below GND voltage including actual transient phenomenon.
- 3) Thermal design
Allow a sufficient margin in thermal design in consideration of permissible loss (Pd) in actual use condition.
- 4) Shorting between terminals and wrong attachment
When attaching an IC to a set board, pay full attention to the direction of IC and dislocation. Wrong attachment may cause rupture of IC. In addition, when shorting is caused by foreign substance placed between outputs or between output and power supply-GND, rupture is also possible.
- 5) Operation in intense magnetic field
Use in intense magnetic field may result in malfunction. Be careful.
- 6) Inspection on set board
In inspection on set board, when a capacitor is connected to a terminal with low impedance, stress may be applied to IC, therefore be sure to discharge electricity in each process. Apply grounding to assembling process for a measure against static electricity, and take enough care in transport and storage. When connecting a jig in inspection process, be sure to turn off power before detaching IC.
- 7) About IC terminal input

This IC is a monolithic IC, and contains P⁺ isolation and P board for separating elements between each element. This P-layer and N-layer of each element form P-N junction, and many kinds of parasitic elements are constituted. (See Fig 43.) For example, when resistor and transistor are connected with a terminal as shown below.

OP-N junction operates as a parasitic diode when

GND > (Terminal A) for resistor, and when GND > (Terminal B) for transistor (NPN).

○In addition, when GND > (Terminal B) for transistor (NPN),

parasitic NPN transistor is operated by N-layer of some other elements in the vicinity of parasitic diode mentioned above.

Parasitic element is inevitably generated by potential because of IC structure. Operation of parasitic element causes interference with circuit operation, and may lead to malfunction, and also may cause rupture. Therefore when applying a voltage lower than GND (P board) to I/O terminal, pay full attention to usage so that parasitic elements do not operate.

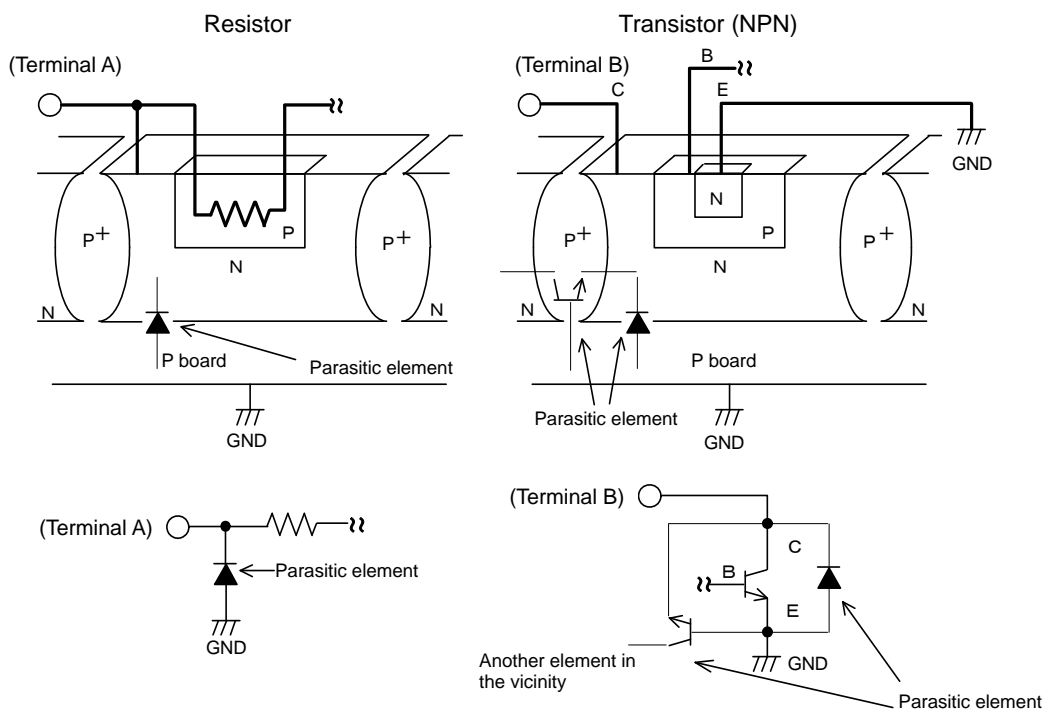


Fig.44

●Ordering part number

B	D
---	---

Part No.

9	8	4	5
---	---	---	---

Part No.
9845

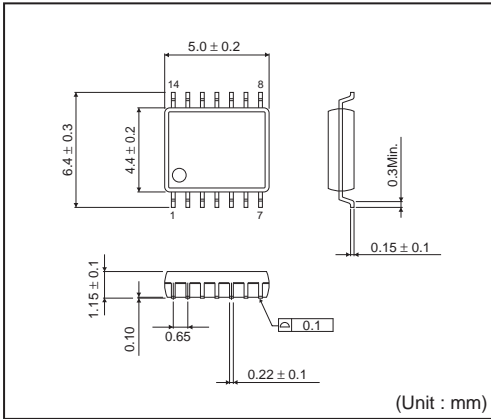
F	V
---	---

Package
FV : SSOP-B14

E	2
---	---

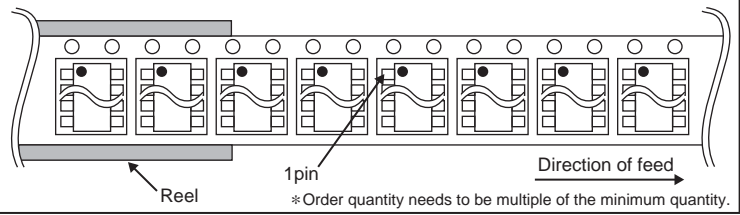
Packaging and forming specification
E2: Embossed tape and reel
(SSOP-B14)

SSOP-B14



<Tape and Reel information>

Tape	Embossed carrier tape
Quantity	2500pcs
Direction of feed	E2 (The direction is the 1 pin of product is at the upper left when you hold reel on the left hand and you pull out the tape on the right hand)



Notice

Precaution on using ROHM Products

- Our Products are designed and manufactured for application in ordinary electronic equipments (such as AV equipment, OA equipment, telecommunication equipment, home electronic appliances, amusement equipment, etc.). If you intend to use our Products in devices requiring extremely high reliability (such as medical equipment ^(Note 1), transport equipment, traffic equipment, aircraft/spacecraft, nuclear power controllers, fuel controllers, car equipment including car accessories, safety devices, etc.) and whose malfunction or failure may cause loss of human life, bodily injury or serious damage to property ("Specific Applications"), please consult with the ROHM sales representative in advance. Unless otherwise agreed in writing by ROHM in advance, ROHM shall not be in any way responsible or liable for any damages, expenses or losses incurred by you or third parties arising from the use of any ROHM's Products for Specific Applications.

(Note1) Medical Equipment Classification of the Specific Applications

JAPAN	USA	EU	CHINA
CLASS III	CLASS III	CLASS II b	CLASS III
CLASS IV		CLASS III	

- ROHM designs and manufactures its Products subject to strict quality control system. However, semiconductor products can fail or malfunction at a certain rate. Please be sure to implement, at your own responsibilities, adequate safety measures including but not limited to fail-safe design against the physical injury, damage to any property, which a failure or malfunction of our Products may cause. The following are examples of safety measures:
 - Installation of protection circuits or other protective devices to improve system safety
 - Installation of redundant circuits to reduce the impact of single or multiple circuit failure
- Our Products are designed and manufactured for use under standard conditions and not under any special or extraordinary environments or conditions, as exemplified below. Accordingly, ROHM shall not be in any way responsible or liable for any damages, expenses or losses arising from the use of any ROHM's Products under any special or extraordinary environments or conditions. If you intend to use our Products under any special or extraordinary environments or conditions (as exemplified below), your independent verification and confirmation of product performance, reliability, etc. prior to use, must be necessary:
 - Use of our Products in any types of liquid, including water, oils, chemicals, and organic solvents
 - Use of our Products outdoors or in places where the Products are exposed to direct sunlight or dust
 - Use of our Products in places where the Products are exposed to sea wind or corrosive gases, including Cl₂, H₂S, NH₃, SO₂, and NO₂
 - Use of our Products in places where the Products are exposed to static electricity or electromagnetic waves
 - Use of our Products in proximity to heat-producing components, plastic cords, or other flammable items
 - Sealing or coating our Products with resin or other coating materials
 - Use of our Products without cleaning residue of flux (even if you use no-clean type fluxes, cleaning residue of flux is recommended); or Washing our Products by using water or water-soluble cleaning agents for cleaning residue after soldering
 - Use of the Products in places subject to dew condensation
- The Products are not subject to radiation-proof design.
- Please verify and confirm characteristics of the final or mounted products in using the Products.
- In particular, if a transient load (a large amount of load applied in a short period of time, such as pulse. is applied, confirmation of performance characteristics after on-board mounting is strongly recommended. Avoid applying power exceeding normal rated power; exceeding the power rating under steady-state loading condition may negatively affect product performance and reliability.
- De-rate Power Dissipation (Pd) depending on Ambient temperature (Ta). When used in sealed area, confirm the actual ambient temperature.
- Confirm that operation temperature is within the specified range described in the product specification.
- ROHM shall not be in any way responsible or liable for failure induced under deviant condition from what is defined in this document.

Precaution for Mounting / Circuit board design

- When a highly active halogenous (chlorine, bromine, etc.) flux is used, the residue of flux may negatively affect product performance and reliability.
- In principle, the reflow soldering method must be used; if flow soldering method is preferred, please consult with the ROHM representative in advance.

For details, please refer to ROHM Mounting specification

Precautions Regarding Application Examples and External Circuits

1. If change is made to the constant of an external circuit, please allow a sufficient margin considering variations of the characteristics of the Products and external components, including transient characteristics, as well as static characteristics.
2. You agree that application notes, reference designs, and associated data and information contained in this document are presented only as guidance for Products use. Therefore, in case you use such information, you are solely responsible for it and you must exercise your own independent verification and judgment in the use of such information contained in this document. ROHM shall not be in any way responsible or liable for any damages, expenses or losses incurred by you or third parties arising from the use of such information.

Precaution for Electrostatic

This Product is electrostatic sensitive product, which may be damaged due to electrostatic discharge. Please take proper caution in your manufacturing process and storage so that voltage exceeding the Products maximum rating will not be applied to Products. Please take special care under dry condition (e.g. Grounding of human body / equipment / solder iron, isolation from charged objects, setting of Ionizer, friction prevention and temperature / humidity control).

Precaution for Storage / Transportation

1. Product performance and soldered connections may deteriorate if the Products are stored in the places where:
 - [a] the Products are exposed to sea winds or corrosive gases, including Cl₂, H₂S, NH₃, SO₂, and NO₂
 - [b] the temperature or humidity exceeds those recommended by ROHM
 - [c] the Products are exposed to direct sunshine or condensation
 - [d] the Products are exposed to high Electrostatic
2. Even under ROHM recommended storage condition, solderability of products out of recommended storage time period may be degraded. It is strongly recommended to confirm solderability before using Products of which storage time is exceeding the recommended storage time period.
3. Store / transport cartons in the correct direction, which is indicated on a carton with a symbol. Otherwise bent leads may occur due to excessive stress applied when dropping of a carton.
4. Use Products within the specified time after opening a humidity barrier bag. Baking is required before using Products of which storage time is exceeding the recommended storage time period.

Precaution for Product Label

QR code printed on ROHM Products label is for ROHM's internal use only.

Precaution for Disposition

When disposing Products please dispose them properly using an authorized industry waste company.

Precaution for Foreign Exchange and Foreign Trade act

Since our Products might fall under controlled goods prescribed by the applicable foreign exchange and foreign trade act, please consult with ROHM representative in case of export.

Precaution Regarding Intellectual Property Rights

1. All information and data including but not limited to application example contained in this document is for reference only. ROHM does not warrant that foregoing information or data will not infringe any intellectual property rights or any other rights of any third party regarding such information or data. ROHM shall not be in any way responsible or liable for infringement of any intellectual property rights or other damages arising from use of such information or data.:
2. No license, expressly or implied, is granted hereby under any intellectual property rights or other rights of ROHM or any third parties with respect to the information contained in this document.

Other Precaution

1. This document may not be reprinted or reproduced, in whole or in part, without prior written consent of ROHM.
2. The Products may not be disassembled, converted, modified, reproduced or otherwise changed without prior written consent of ROHM.
3. In no event shall you use in any way whatsoever the Products and the related technical information contained in the Products or this document for any military purposes, including but not limited to, the development of mass-destruction weapons.
4. The proper names of companies or products described in this document are trademarks or registered trademarks of ROHM, its affiliated companies or third parties.

General Precaution

1. Before you use our Products, you are requested to carefully read this document and fully understand its contents. ROHM shall not be in any way responsible or liable for failure, malfunction or accident arising from the use of any ROHM's Products against warning, caution or note contained in this document.
2. All information contained in this document is current as of the issuing date and subject to change without any prior notice. Before purchasing or using ROHM's Products, please confirm the latest information with a ROHM sales representative.
3. The information contained in this document is provided on an "as is" basis and ROHM does not warrant that all information contained in this document is accurate and/or error-free. ROHM shall not be in any way responsible or liable for any damages, expenses or losses incurred by you or third parties resulting from inaccuracy or errors of or concerning such information.