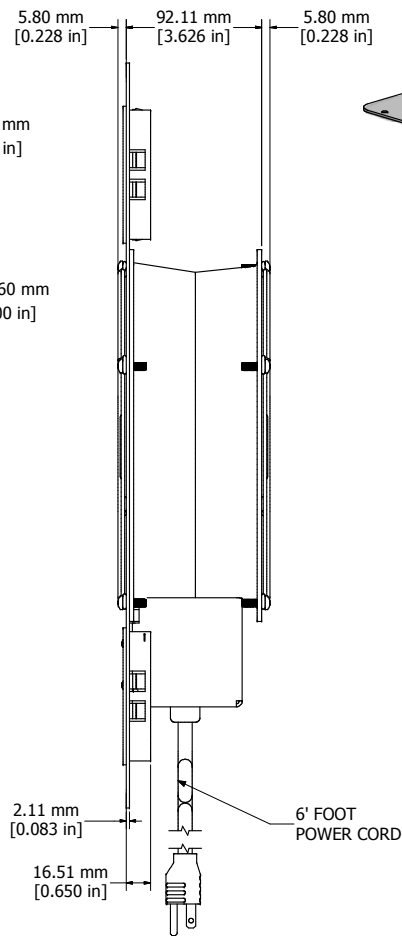
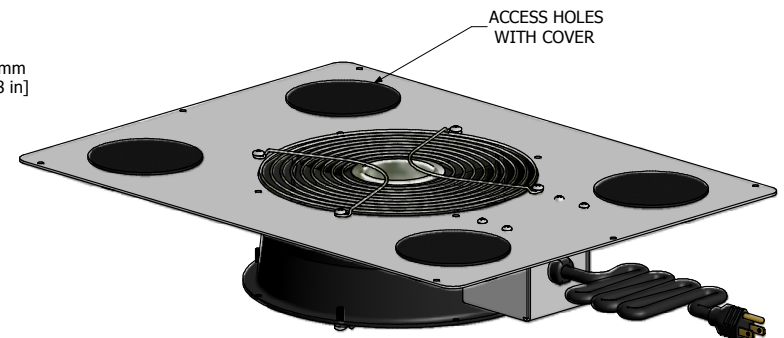


ASSEMBLY - VIEW FROM TOP



ASSEMBLY - VIEW FROM SIDE



ISOMETRIC VIEW

| | |
|---|--|
| C2T1923F10CE | |
| Finish - Top - Painted Steel | |
| - Finger Guard - Chrome Plated | |
| Rated - 115 VAC, 50/60 Hz, 0.29 Amps | |
| Free Flow Air Delivery - 550 CFM | |
| Approvals - cURus Recognized UL507 and CSA C22.2 No.113 | |
| COLOURS | |
| Black - C2T1923F10CEBK1 | |
| Beige - C2T1923F10CECG1 | |
| Light Grey - C2T1923F10CELG1 | |
| HARDWARE | |
| 6 Screws - RoundHead 8-32 x 1/2" | |
| 6 Speed Nuts | |



**HAMMOND
MANUFACTURING™**

C2T1923F10CE

www.hammondmfg.com