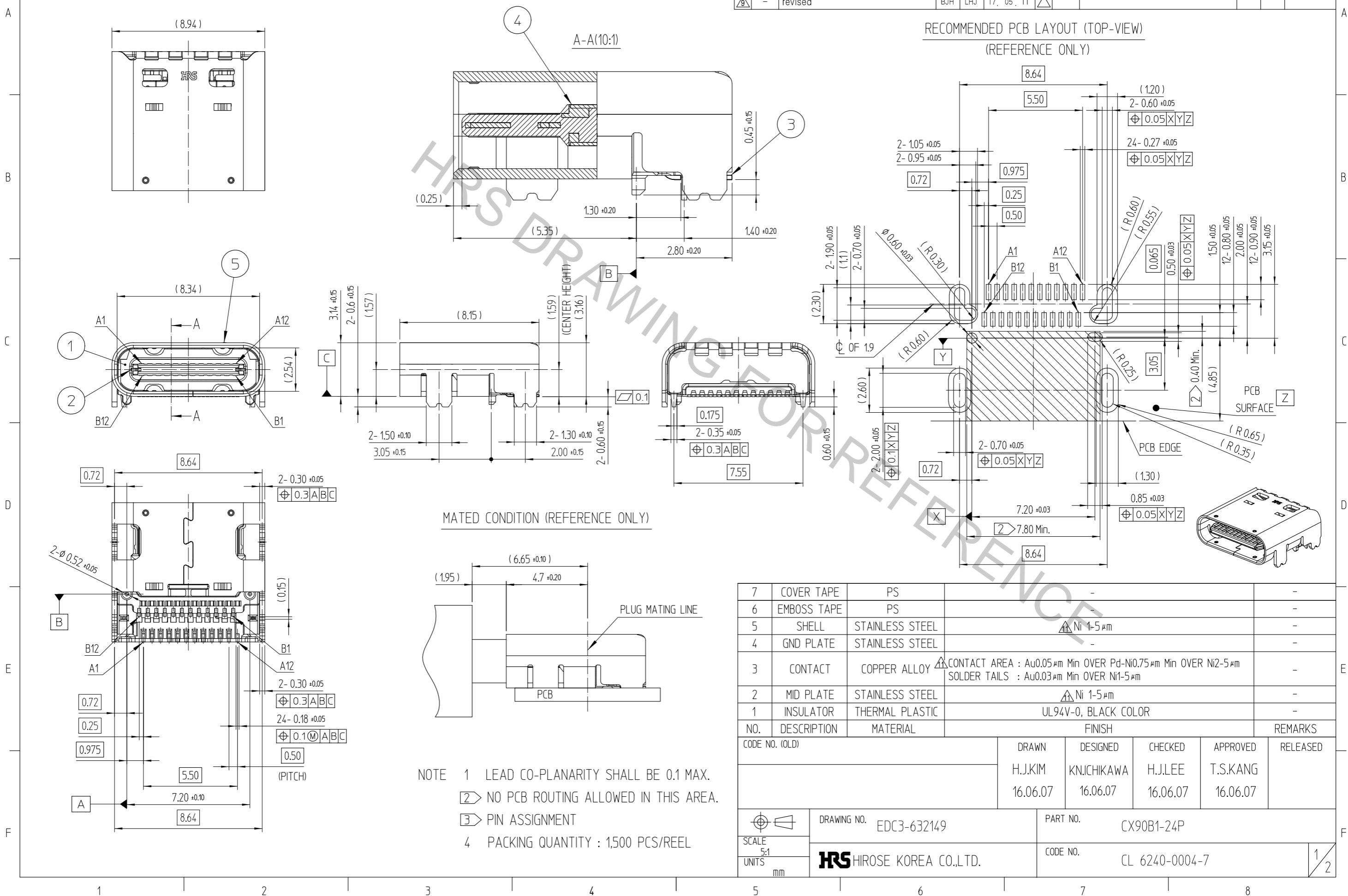


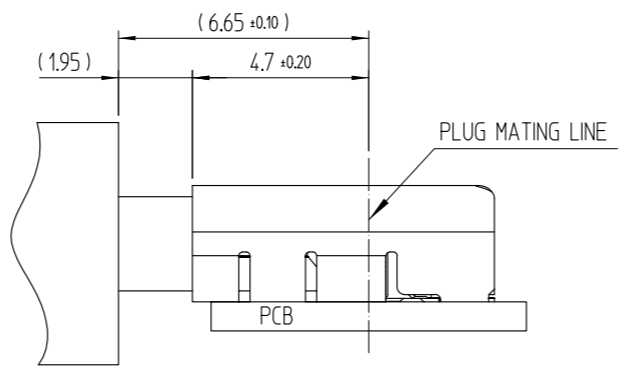
Aug.1.2018 Copyright 2018 HIROSE ELECTRIC CO., LTD. All Rights Reserved.
 In case that the application demands a high level of reliability, such as automotive,
 please contact a company representative for further information.

△數 COUNT	訂正事項 DESCRIPTION OF REVISIONS	擔當 B Y	檢圖 CHKD	年月日 DATE	△數 COUNT	訂正事項 DESCRIPTION OF REVISIONS	擔當 B Y	檢圖 CHKD	年月日 DATE
△7	- revised	BJH	KHJ	17. 03. 30	△8	- revised	BJH	LHJ	17. 05. 24
△8	- revised	BJH	KHJ	17. 04. 05	△9	3 revised	KHJ	LHJ	18. 01. 30
△9	- revised	BJH	LHJ	17. 05. 11	△				

RECOMMENDED PCB LAYOUT (TOP-VIEW)
 (REFERENCE ONLY)



MATED CONDITION (REFERENCE ONLY)



- NOTE 1 LEAD CO-PLANARITY SHALL BE 0.1 MAX.
 2 NO PCB ROUTING ALLOWED IN THIS AREA.
 3 PIN ASSIGNMENT
 4 PACKING QUANTITY : 1,500 PCS/REEL

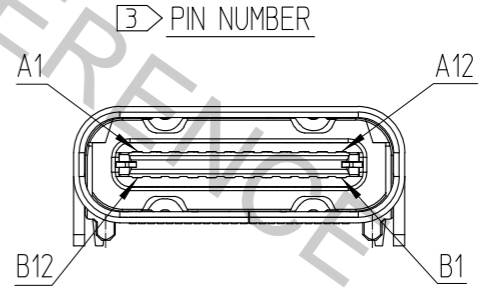
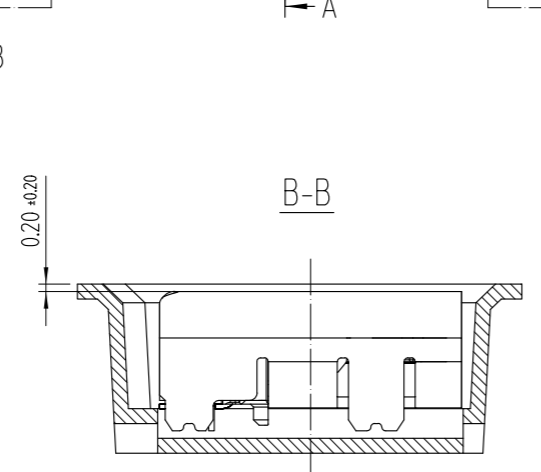
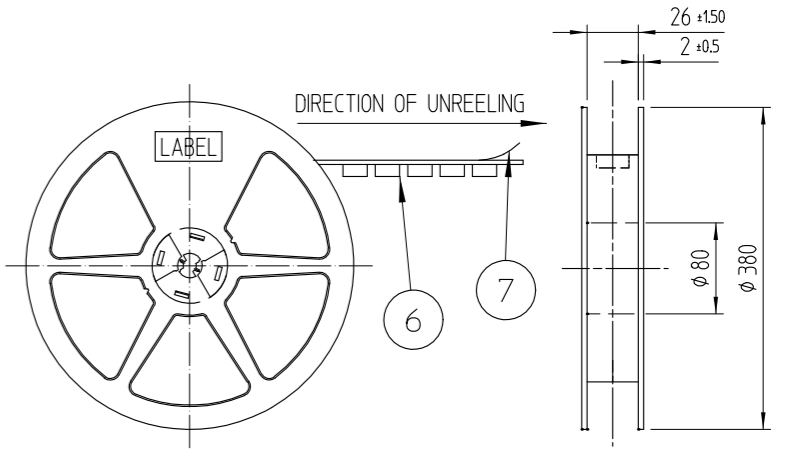
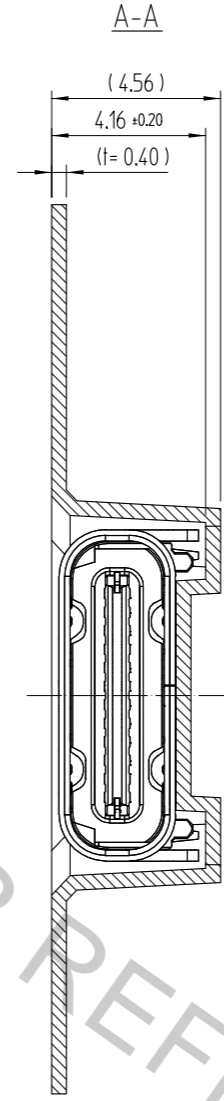
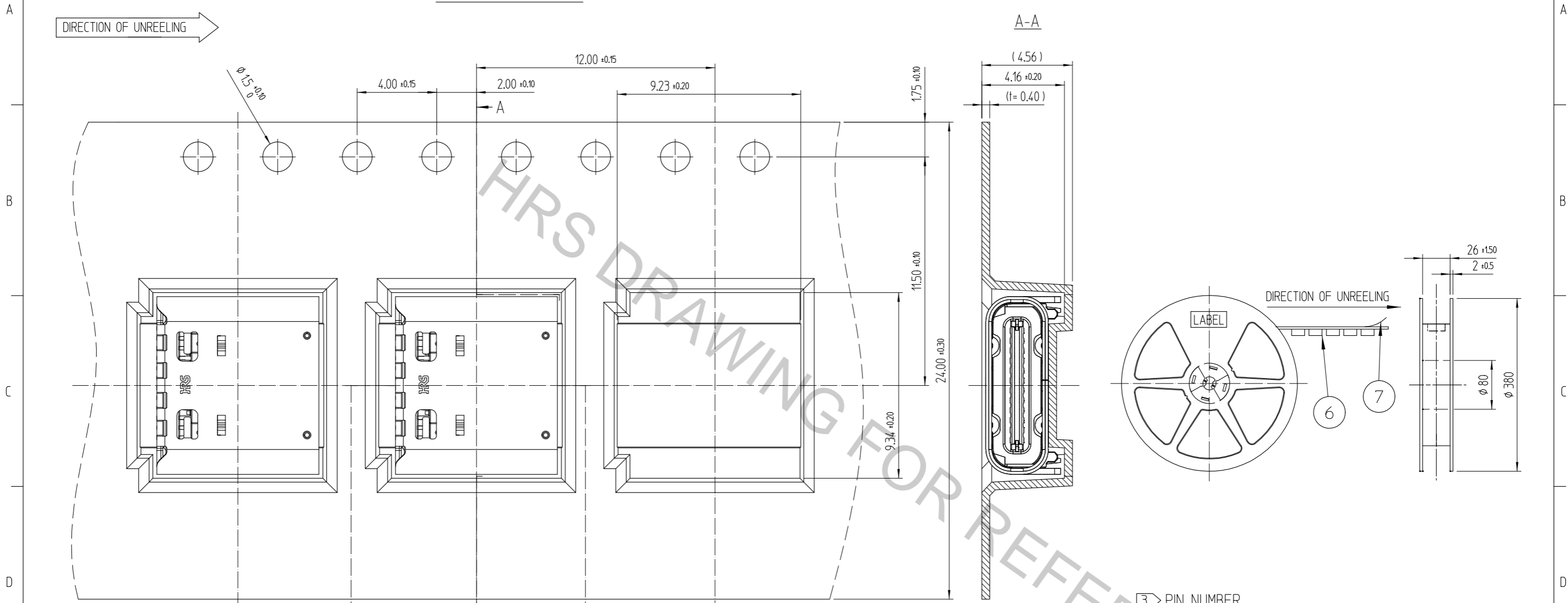
NO.	DESCRIPTION	MATERIAL	FINISH	REMARKS
7	COVER TAPE	PS	-	-
6	EMBOSS TAPE	PS	-	-
5	SHELL	STAINLESS STEEL	△ Ni 1-5 μm	-
4	GND PLATE	STAINLESS STEEL	-	-
3	CONTACT	COPPER ALLOY	△ CONTACT AREA : Au0.05 μm Min OVER Pd-Ni0.75 μm Min OVER Ni2-5 μm SOLDER TAILS : Au0.03 μm Min OVER Ni1-5 μm	-
2	MID PLATE	STAINLESS STEEL	△ Ni 1-5 μm	-
1	INSULATOR	THERMAL PLASTIC	UL94V-0, BLACK COLOR	-

CODE NO. (OLD)	DRAWN	DESIGNED	CHECKED	APPROVED	RELEASED
	H.J.KIM	KNJICHIKAWA	H.J.LEE	T.S.KANG	
	16.06.07	16.06.07	16.06.07	16.06.07	

DRAWING NO.	PART NO.	CODE NO.
EDC3-632149	CX90B1-24P	CL 6240-0004-7

Aug.1.2018 Copyright 2018 HIROSE ELECTRIC CO., LTD. All Rights Reserved.
 In case that the application demands a high level of reliability, such as automotive,
 please contact a company representative for further information.

DRAWING FOR PACKING



A1	A2	A3	A4	A5	A6	A7	A8	A9	A10	A11	A12
GND	TX1+	TX1-	V _{bus}	CC1	D+	D-	SBU1	V _{bus}	RX2-	RX2+	GND
GND	RX1+	RX1-	V _{bus}	SBU2	D-	D+	CC2	V _{bus}	TX2-	TX2+	GND
B12	B11	B10	B9	B8	B7	B6	B5	B4	B3	B2	B1

 SCALE 5:1 UNITS mm	DRAWING NO.	EDC3-632149	PART NO.	CX90B1-24P
	HIROSE KOREA CO.,LTD.		CODE NO.	CL 6240-0004-7