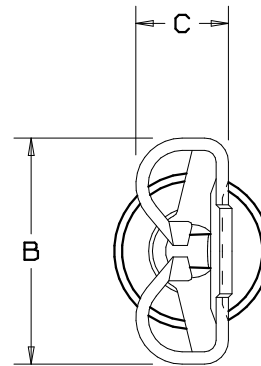
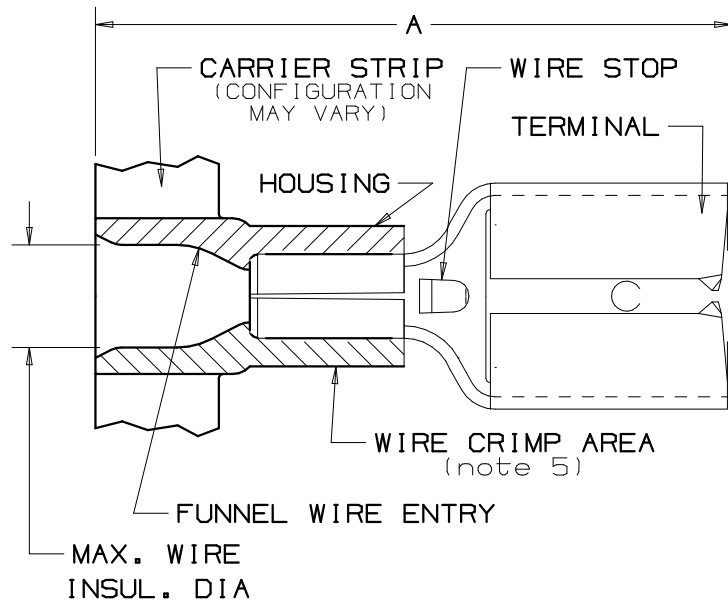


THIS COPY IS PROVIDED ON A RESTRICTED BASIS AND IS NOT TO BE USED IN ANY WAY DETRIMENTAL TO THE INTERESTS OF PANDUIT CORP.



**UL**  
LISTED\*  
20H3  
E78522

**CSA**  
CERTIFIED\*  
LR31212

|             |          | PANDUIT PRESS                 |                               |        |        |                |                  |
|-------------|----------|-------------------------------|-------------------------------|--------|--------|----------------|------------------|
|             |          | CP-851<br><i>DISCONTINUED</i> | CP-860<br><i>DISCONTINUED</i> | CP-861 | CP-862 | CP-871<br>60HZ | CP-871/E<br>50HZ |
| APPLICATORS | CA-800   |                               | X                             | X      |        |                |                  |
|             | CA-800EZ | X                             |                               |        |        | X              | X                |
|             | CA9      |                               |                               |        | X      | X              | X                |


| PART NUMBER  | TAB SIZE                   | WIRE RANGE<br>mm<br>(AWG) | COLOR  | MAX. INSUL.    | DIMENSIONS mm.             |                            |                            |
|--------------|----------------------------|---------------------------|--------|----------------|----------------------------|----------------------------|----------------------------|
|              |                            |                           |        |                | A <sup>±.08</sup><br>(.03) | B <sup>±.03</sup><br>(.01) | C <sup>±.03</sup><br>(.01) |
| DMV1-63B-3K  | 6,3 X 0,8<br>(.250 X .032) | 5-1,0<br>(22-18)          | RED    | 4,06<br>(.160) | 21,1<br>(.83)              | 7,4<br>(.29)               | 3,0<br>(.12)               |
| DMV1-488B-3K | 4,8 X 0,8<br>(.187 X .032) | 5-1,0<br>(22-18)          | RED    | 4,06<br>(.160) | 18,8<br>(.74)              | 5,8<br>(.23)               | 2,5<br>(.10)               |
| DMV1-485B-3K | 4,8 X 0,5<br>(.187 X .020) | 5-1,0<br>(22-18)          | RED    | 4,06<br>(.160) | 19,3<br>(.76)              | 5,8<br>(.23)               | 2,5<br>(.10)               |
| DMV2-63B-3K  | 6,3 X 0,8<br>(.250 X .032) | 1,5-2,5<br>(16-14)        | BLUE   | 4,52<br>(.178) | 21,1<br>(.83)              | 7,4<br>(.29)               | 3,0<br>(.12)               |
| DMV2-488B-3K | 4,8 X 0,8<br>(.187 X .032) | 1,5-2,5<br>(16-14)        | BLUE   | 4,52<br>(.178) | 19,6<br>(.77)              | 5,3<br>(.23)               | 2,5<br>(.10)               |
| DMV2-485B-3K | 4,8 X 0,5<br>(.187 X .020) | 1,5-2,5<br>(16-14)        | BLUE   | 4,52<br>(.178) | 19,6<br>(.77)              | 5,3<br>(.23)               | 2,5<br>(.10)               |
| DMV6-63-2K*  | 6,3 X 0,8<br>(.250 X .032) | 4,0-6,0<br>(12-10)        | YELLOW | 5,84<br>(.230) | 24,1<br>(.95)              | 7,4<br>(.29)               | 3,0<br>(.12)               |

NOTES:

- UL LISTED AND CSA CERTIFIED FOR:
  - A. 600V MAX VOLTAGE RATING
  - B. 105°C (221°F) MAX TEMP RATING
  - C. AWG STRANDED COPPER WIRE ONLY
  - D. 26.4-53.7N INITIAL INSERTION/WITHDRAWAL FORCE
- PACKAGE QTY:
  - 2K=2000 PIECES, 3K=3000 PIECES
  - CONTINUOUS MOLDED STRIP CARRIER
- MATERIAL:
  - A. STAMPING-CDA 260 BRASS, TIN PLATED
  - B. HOUSING-PVC
- DIMENSIONS IN BRACKETS ARE IN INCHES
- PART NUMBER DMV6-63 IS CONSTRUCTED WITH BRASS SLEEVE IN WIRE CRIMP AREA
- WIRE STRIP LENGTH 7,1<sup>+.08</sup><sub>-0</sub> (9/32<sup>+1/32</sup><sub>-0</sub>) (8,7<sup>+.08</sup><sub>-0</sub> (11/32<sup>+1/32</sup><sub>-0</sub>) FOR DV6-63-2K)

\* DMV6-63-2K NOT UL LISTED OR CSA CERTIFIED

A41623\_03

|     |      |      |     |  |         |    |     |   |
|-----|------|------|-----|--|---------|----|-----|---|
| 03  | 3/06 | DAW  | DAW | ADDED PANDUIT PRESS & APPLICATOR CHART | TRO0083 |    |     |  CORP. TINLEY PARK, ILLINOIS<br><br>METRIC DISCO-FEMALE DISCONNECTS, VINYL INSULATED 6,3 X 0,8 4,8 X 0,8/0,5 |
| 02  | 2/05 | KLFU | SKB | ADDED CP-862, CD9 & CA9 TO CHART       |         |    |     |   |
| 01  | 7/98 | TM   | RLS | UPDATED WIRE RANGES AND PART NUMBERS   | 07035   | DH | LA  |   |
| 00  | 9/97 | TM   | WB  | RELEASED                               | 6192    | DH | LA  |   |
| REV | DATE | BY   | CHK | DESCRIPTION                            | ECN     | PM | APP | DRAWN BY: TSMa<br>CHK'D: WB<br>SCALE: NONE<br>DRAWING NO./CAD FILENAME: A41623  |