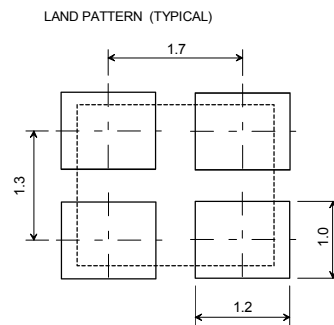
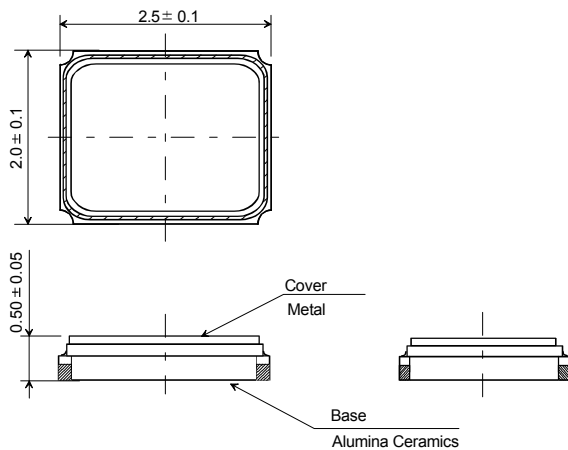
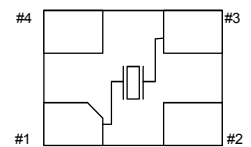


|           |  |   |
|-----------|--|---|
| <b>1</b>  | <b>NDK Part Number</b>                 | NX2520SA-19.200000MHz-NBG1                        |
| <b>2</b>  | <b>Chipset Maker</b>                   | <a href="#">Please contact us</a>                 |
| <b>3</b>  | <b>Application</b>                     | Multimedia processor on mobile phone              |
| <b>4</b>  | <b>Chipset Name</b>                    | <a href="#">Please contact us</a>                 |
| <b>5</b>  | <b>NDK Specification Number</b>        | EXS00A-CS05400                                    |
| <b>6</b>  | <b>Type</b>                            | NX2520SA  |
| <b>7</b>  | <b>Electrical Characteristics</b>      |   |
| 7.1       | Nominal Frequency ( $f_{nom}$ )        | 19.200 MHz  |
| 7.2       | Overtone order                         | Fundamental                                       |
| 7.3       | Adjustment tolerance                   | $\pm 20 \times 10^{-6}$ max.                      |
| 7.4       | Tolerance over the temperature range   | $\pm 30 \times 10^{-6}$ max. ( at -30 to +85 °C ) |
| 7.5       | Equivalent Series Resistance ( $R_r$ ) | 60 $\Omega$ max.                                  |
| 7.6       | Maximum Drive Level                    | 200 $\mu$ W max.                                  |
| 7.7       | Aging ( at +25 °C )                    | $\pm 5 \times 10^{-6}$ max./1year                 |
| <b>8</b>  | <b>Measurement Circuit</b>             |   |
| 8.1       | Frequency Measurement                  |   |
| 8.1.1     | Measuring Instrument                   | $\pi$ -network (IEC)                              |
| 8.1.2     | Load Capacitance ( $C_L$ )             | 13 pF   |
| 8.1.3     | Level of Drive                         | 10 $\mu$ W  |
| 8.2       | Equivalent Resistance Measurement      |   |
| 8.2.1     | Measuring Instrument                   | $\pi$ -network (IEC)                              |
| 8.2.2     | Load Capacitance ( $C_L$ )             | Series  |
| 8.2.3     | Level of Drive                         | 10 $\mu$ W  |
| <b>9</b>  | <b>Operating Temperature Range</b>     | -30 ~ +85 °C                                      |
| <b>10</b> | <b>Storage Temperature Range</b>       | -40 ~ +85 °C                                      |
| <b>11</b> | <b>Dimension</b>                       |   |

(Unit: mm)



[Top view]  
Terminal land connections



TERMINAL  
#1,#3: X'tal  
#2,#4: GND(CONNECTION COVER)

