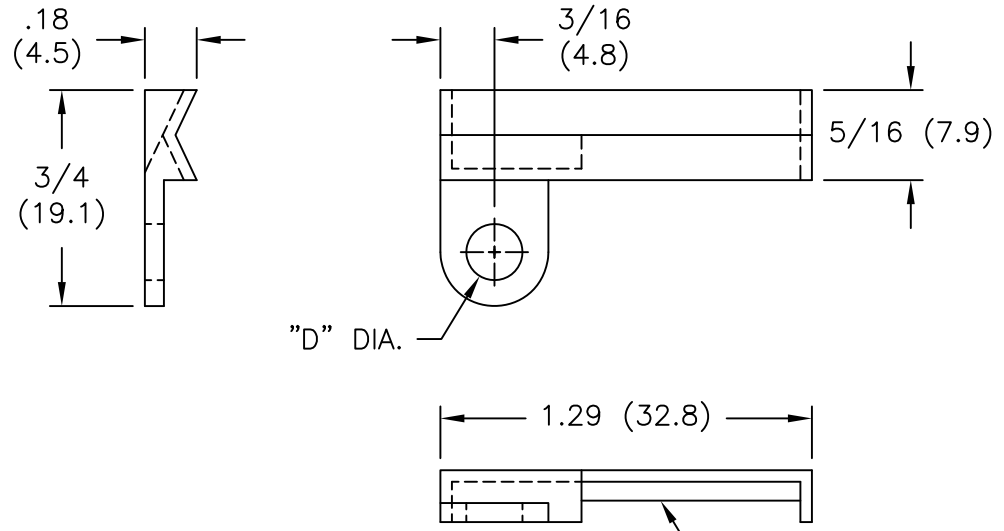


PART NO.	"D" DIA.
FTH-11-8-01	.170 (4.3)
FTH-11-10-01	.195 (5.0)



NOTES:

1. MATERIAL: NYLON 6/6 (RMS-01),  
COLOR: NATURAL.
2. FLAME RETARDANT NYLON (RMS-19),  
COLOR: NATURAL,  
AVAILABLE BY SPECIAL ORDER ONLY;  
TO ORDER USE P/N FTH-11-8-19 OR  
FTH-11-10-19.

ACCOMMODATES WIT/WITA-18  
THRU -50 TIES

TITLE: <b>FLAT TIE HOLDER</b>					DWG IN IN (MM)			
D SEE CO 200570 FOR CHANGES SK 08.04.10	C SEE ECN #1124 FOR CHANGES SK 01.24.06	TOLERANCES UNLESS NOTED .XX=±.010 .XXX=±.005 FRAC=±1/64 ANG=±1°	FILE # FTH-11 MAT'L: SEE NOTES RE: RICHCO, INC.	DWN: P.B. DT: 12-21-95 DT:	APP: RICHCO INC. PO BOX 804238, CHICAGO, 60680 (773) 539-4060	FINAL	PART # SEE TABLE	PRINT TYPE CA
B CHANGED FILE NO. SM 10.25.01	A DIM. 3/4 AND FR NYLON (RMS-19) ADDED J.L. 01.07.00	ENGR DATE						
REV DESCRIPTION								