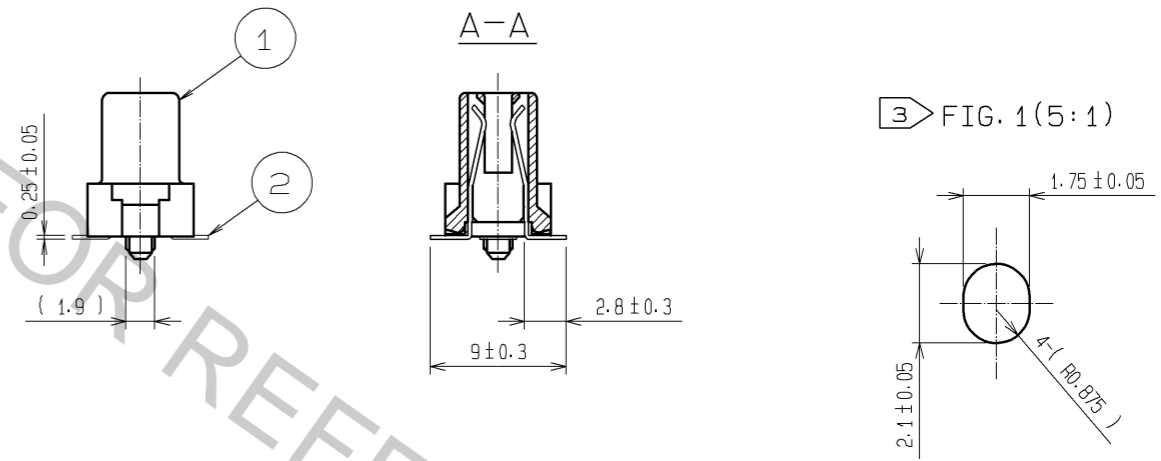
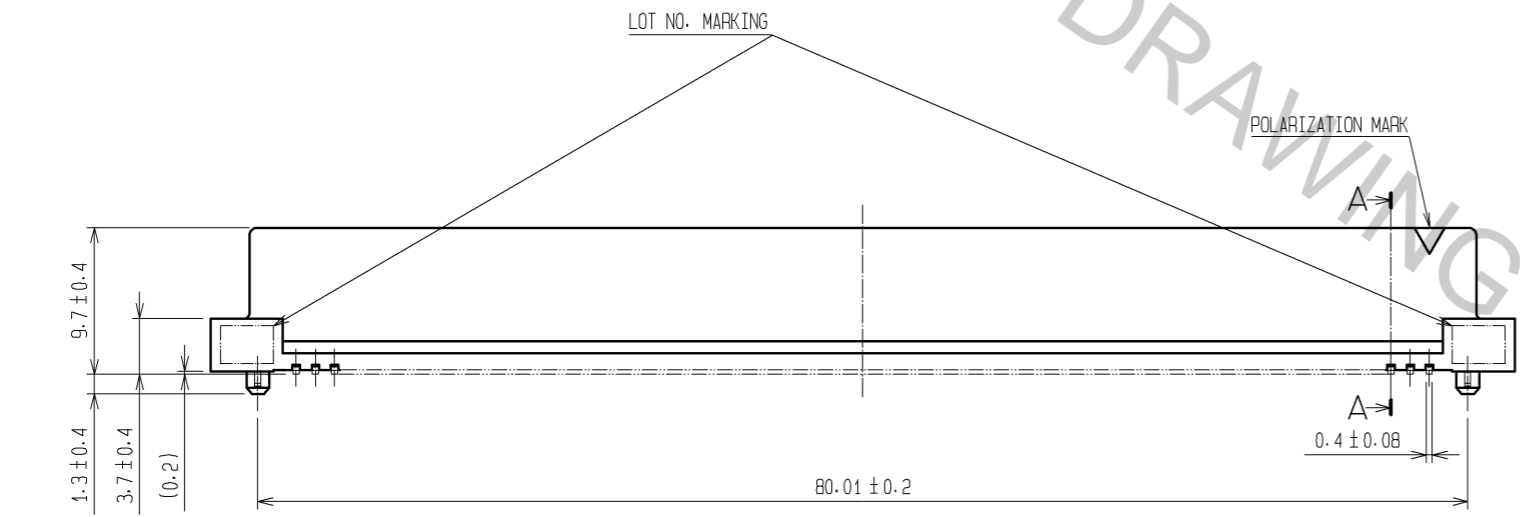
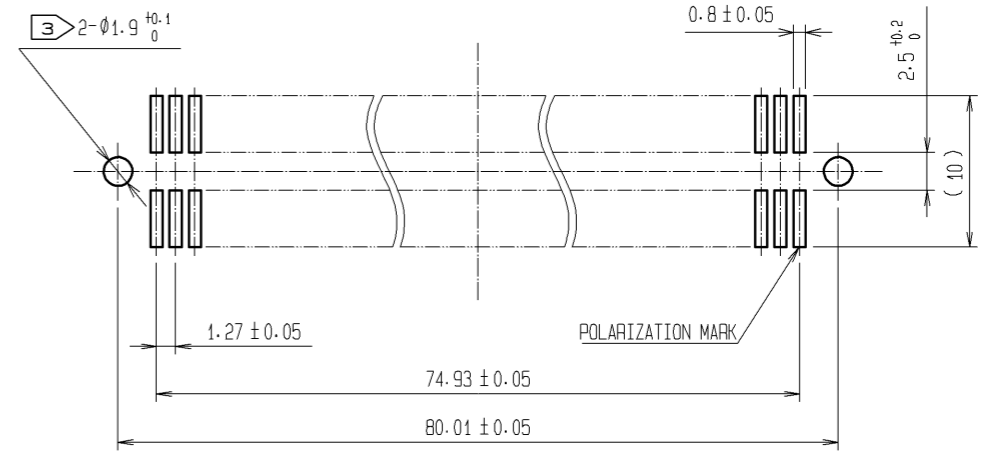
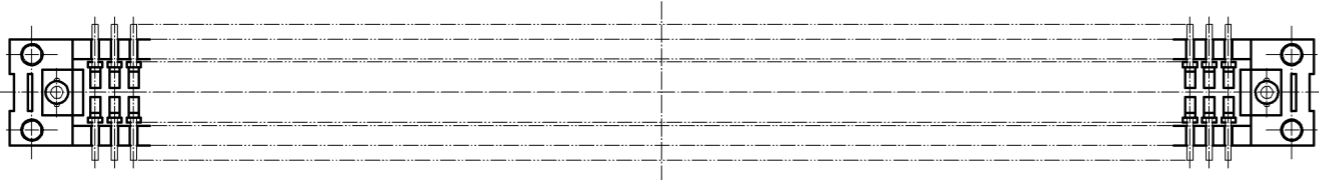


RECOMMENDED LAND PATTERN DIMENSION OF PCB (MOUNTING SIDE)(FREE)  
(RECOMMENDED METAL MASK THICKNESS: t=0.2)



- NOTES 1 LEAD CO-PLANARITY SHALL BE 0.15 MAX.  
 2 THE DIMENSIONS IN PARENTHESES ARE FOR REFERENCE.  
 3 IN CASE OF THE AUTOMATED MOUNTING, RECOMMENDED HOLE DIAMETER OF BOSS IS SHOWN IN FIG. 1.



1	PPS	LIGHT BROWN	UL94V-0	2	PHOSPHOR BRONZE	CONTACT AREA:GOLD 0.2μm min. LEAD AREA:TIN-PLATING 2μm min. UNDER PLATING:NICKEL 1.5μm min.		
NO.	MATERIAL	FINISH	REMARKS	NO.	MATERIAL	FINISH . REMARKS		
UNITS	mm	SCALE	2 : 1	COUNT	DESCRIPTION OF REVISIONS	DESIGNED	CHECKED	DATE
APPROVED : HS. OKAWA		08.05.23		DRAWING NO.		EDC3-082426-21		
CHECKED : HS. OZAWA		08.05.23		PART NO.		FX2-120S-1.27SV(71)		
DESIGNED : KY. NAKAMURA		08.05.23		CODE NO.		CL572-2109-5-71		
DRAWN : TP. MATSUMOTO		08.05.22						