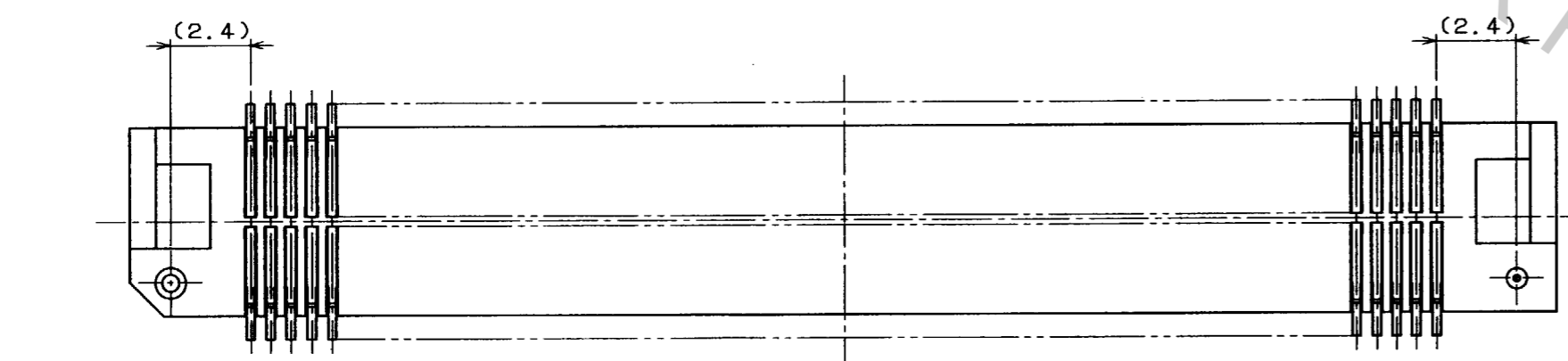
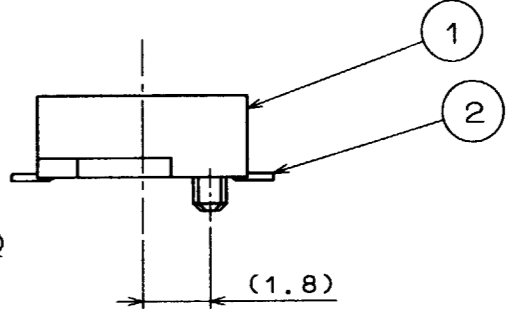
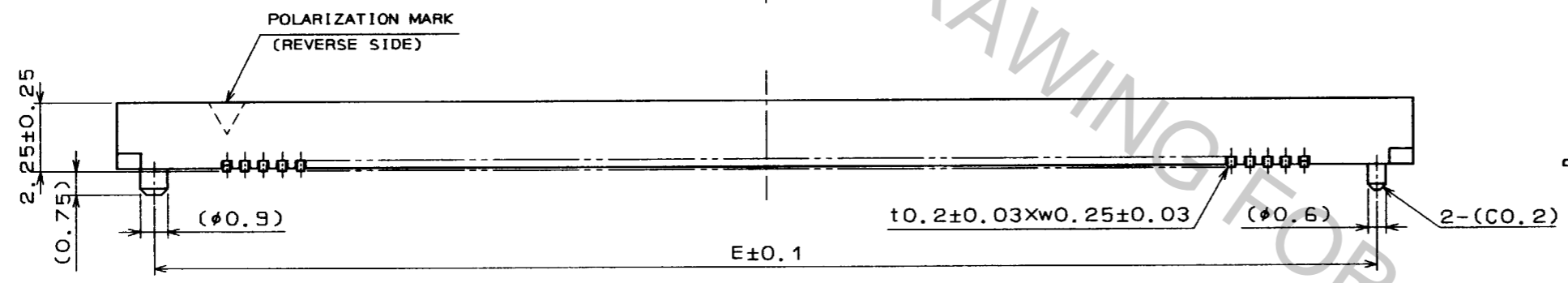
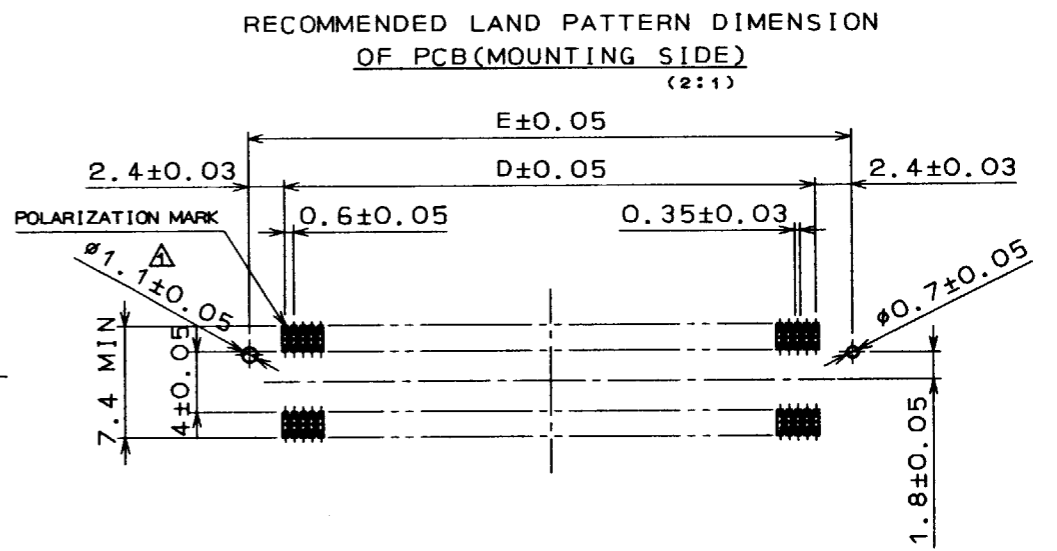
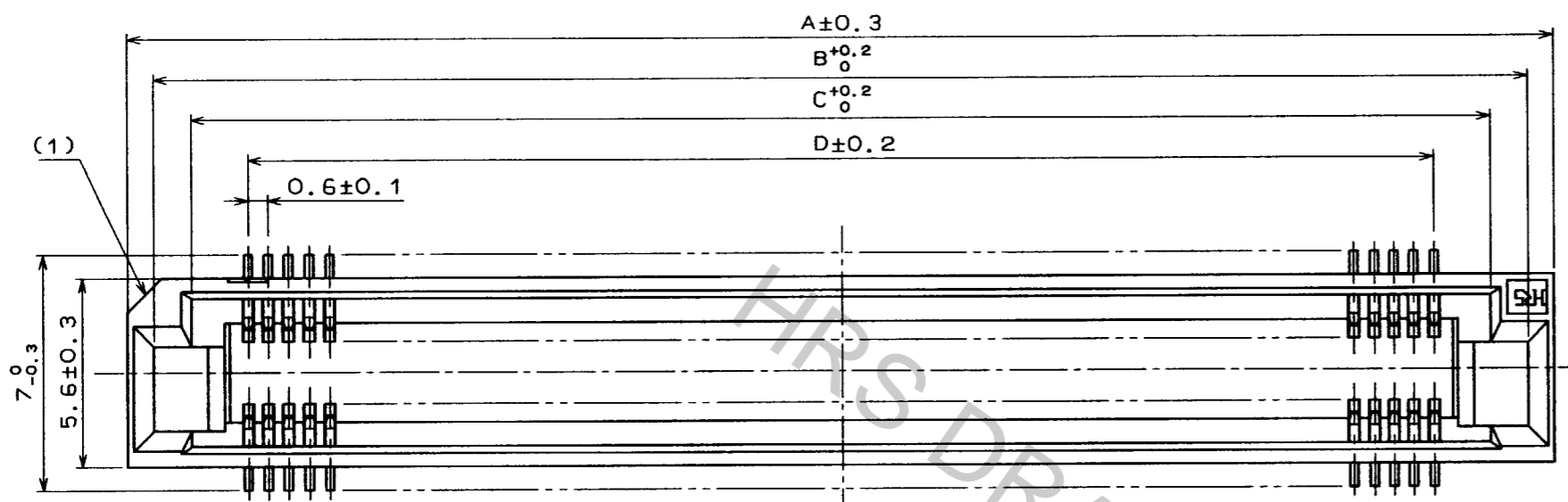


Apr.1.2017 Copyright 2017 HIROSE ELECTRIC CO., LTD. All Rights Reserved.

COUNT	DESCRIPTION OF REVISIONS	BY	CHKD	DATE	COUNT	DESCRIPTION OF REVISIONS	BY	CHKD	DATE
1	RE-F-4613	S.M	M.T	'96.4.2					



NUMBER OF CONTACT	PART NO.	CODE NO.	DRAWING NO.	A	B	C	D	E
60	FX8- 60S-SV(22)	CL578-0201-5-22	ADC3-150674-02	24.6	23.05	20.8	17.4	22.2
80	FX8- 80S-SV(22)	CL578-0203-0-22	ADC3-150740-02	30.6	29.05	26.8	23.4	28.2
90	FX8- 90S-SV(22)	CL578-0204-3-22	ADC3-150675-02	33.6	32.05	29.8	26.4	31.2

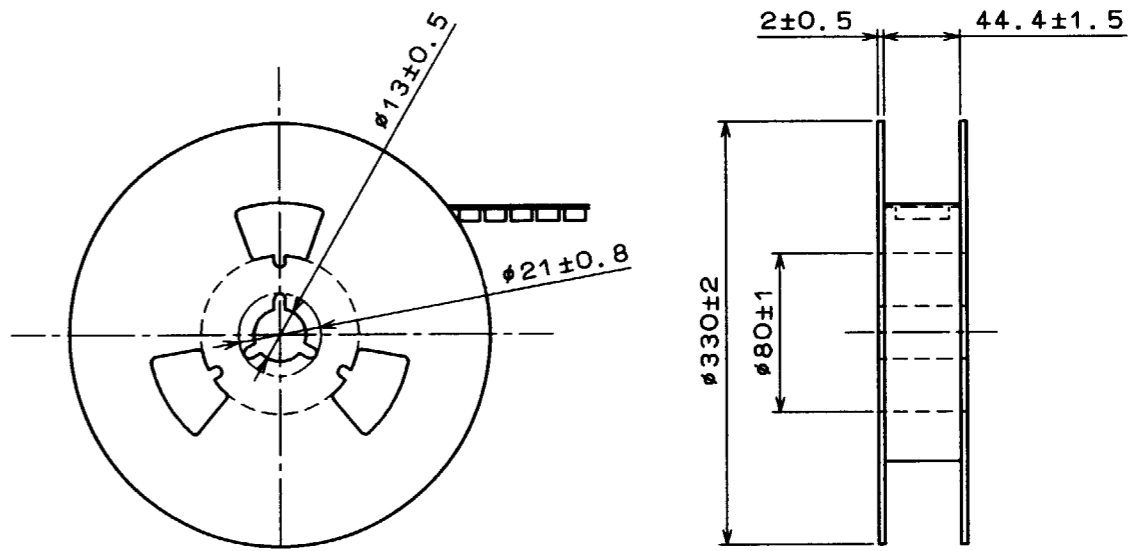
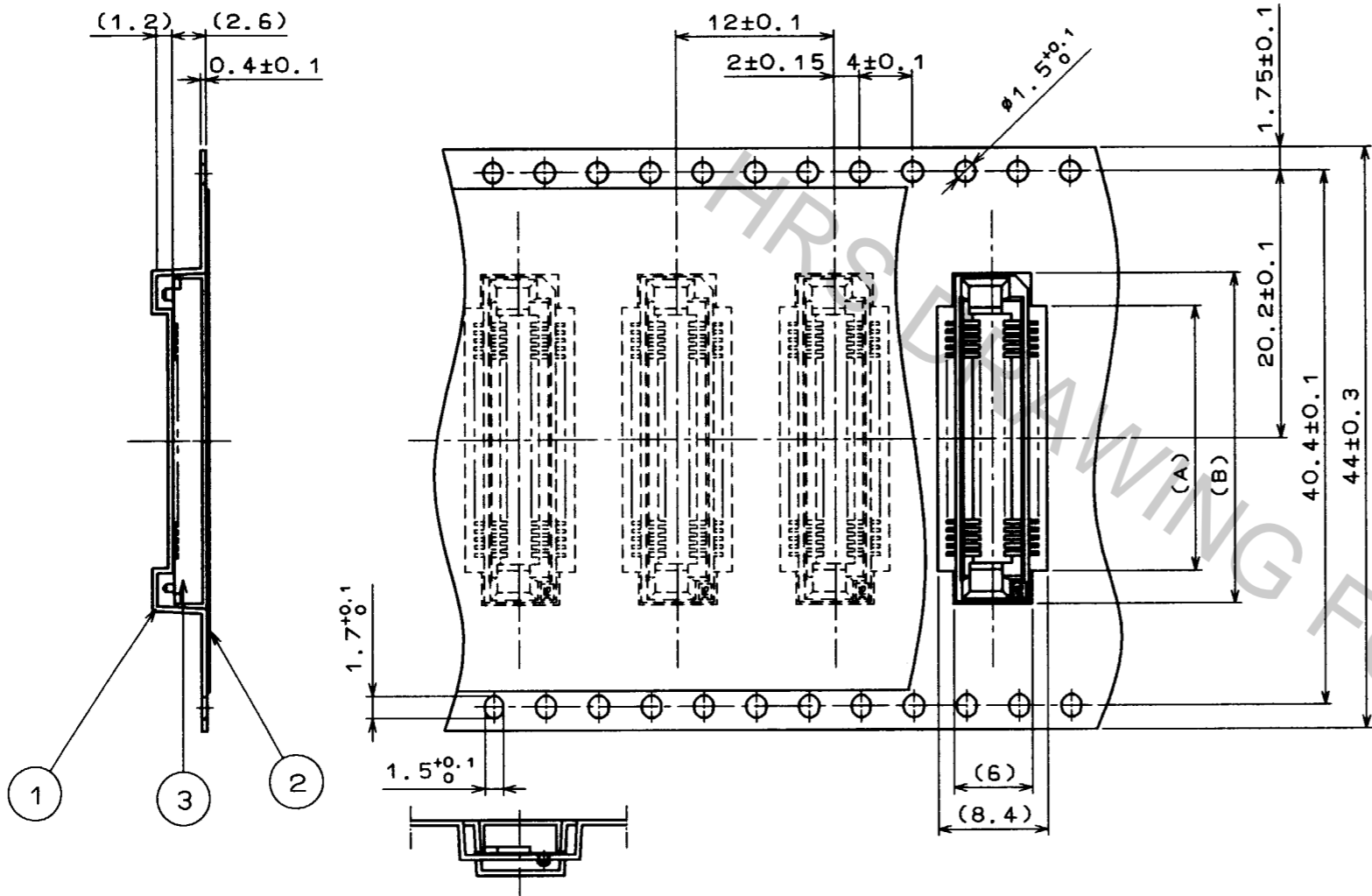
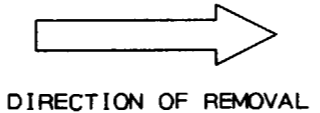
NOTE 1 READ CO-PLANARITY SHALL BE 0.1mm.
 2 FOR DETAILS, SEE THE SECTION CONCERNING THE DELIVERY FORM ON NEXT PAGE.
 3 FOR MODIFICATION, ETC., PREVENTIVE HOLE FOR SINK MARK MAY BE ADDED DEPENDS ON CIRCUMSTANCES.

2	PHOSPHOR BRONZE	CONTACT AREA: GOLD(0.1μm) OVER NICKEL OTHERS: GOLD(FLASH) OVER NICKEL	1	PPS	LIGHT BROWN (UL94V-0)
NO.	MATERIAL	FINISH, REMARKS	NO.	MATERIAL	FINISH, REMARKS
CODE NO. (OLD)		DRAWN	DESIGNED	CHECKED	APPROVED
		S. Morita	J. Matsukawa	M. Tomita	Y. Yoshimura
		950420	950420	950420	950420
DRAWING NO. EDC3-150730-02		PART NO. FX8-***S-SV(22)			
SCALE 5:1		UNITS mm		CODE NO. CL578	
		HRS HIROSE ELECTRIC CO., LTD.		1/2	

TO
PCM

Apr.1.2017 Copyright 2017 HIROSE ELECTRIC CO., LTD. All Rights Reserved.

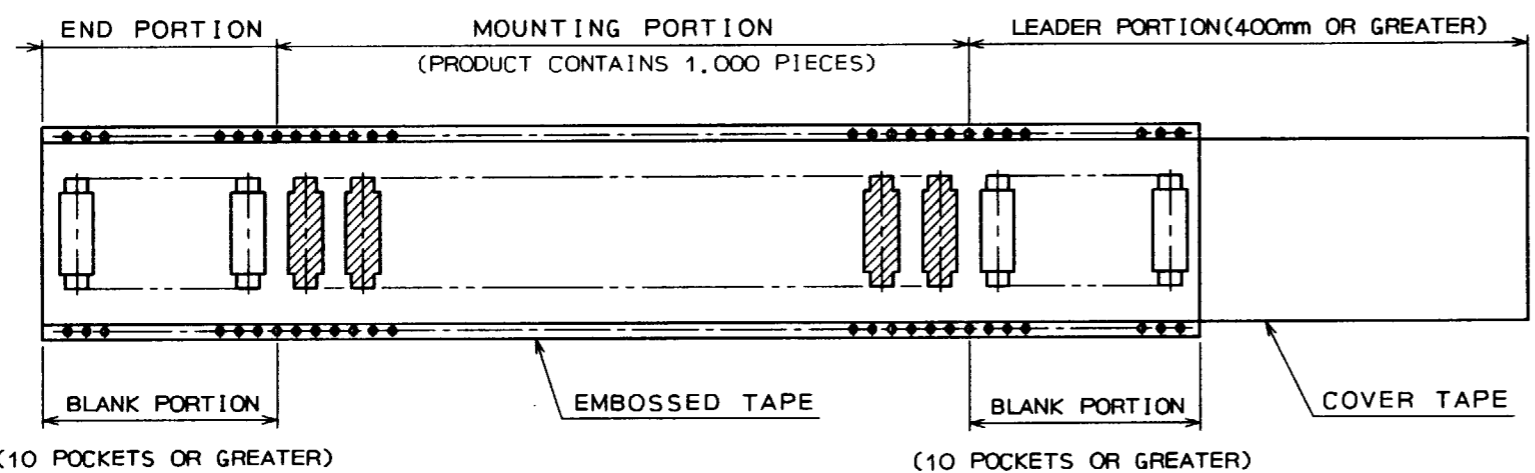
COUNT	DESCRIPTION OF REVISIONS	BY	CHKD	DATE	COUNT	DESCRIPTION OF REVISIONS	BY	CHKD	DATE



REEL CONDITION DIMENSIONS DIAGRAM(FREE)

NUMBER OF CONTACT	A	B
60	20	25
80	26	31
90	29	34

NOTE 1 1 REEL CONSISTS OF 1,000 PIECES.



2	POLYETHYLENE	COVER TAPE			
1	POLYSTYRENE	EMBOSSSED TAPE	3	(CONNECTOR)	
NO.	MATERIAL	FINISH, REMARKS	NO.	MATERIAL	FINISH, REMARKS
CODE NO. (OLD)			DRAWN	DESIGNED	CHECKED
			<i>S. Morita</i>	<i>M. Katsukawa</i>	<i>M. Tamoto</i>
			95.10.3	95.10.3	95.11.1
					<i>S. Yoshimura</i>
					95.11.1
DRAWING NO.			PART NO.		
EDC3-150730-02			FX8-***S-SV(22)		
UNITS			CODE NO.		
m.m			CL578		

TO
PCM